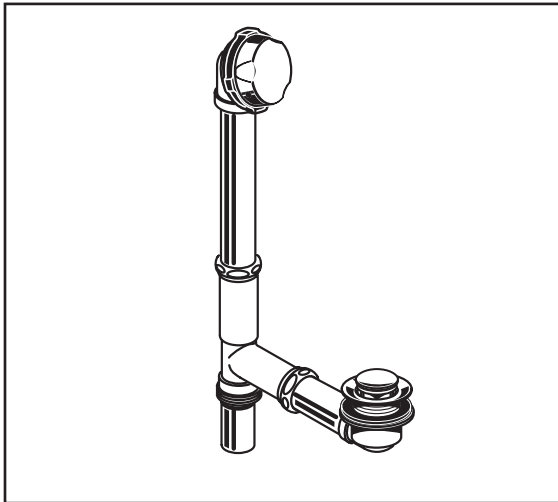


**UNIVERSAL ROTARY DRAIN
ROTARY BATH WASTE AND
OVERFLOW WITH POP-UP DRAIN**



MODEL NUMBER:

■ **1583.470** Rotary Bath Waste And Overflow with Pop-up Drain

GENERAL DESCRIPTION:

1-1/2" Tubular brass piping, stopper and overflow cap are powder coated brass. Rotary knob with pop-up linkage design. Accommodates baths with up to 19" distance from center of overflow to center of horizontal drain.

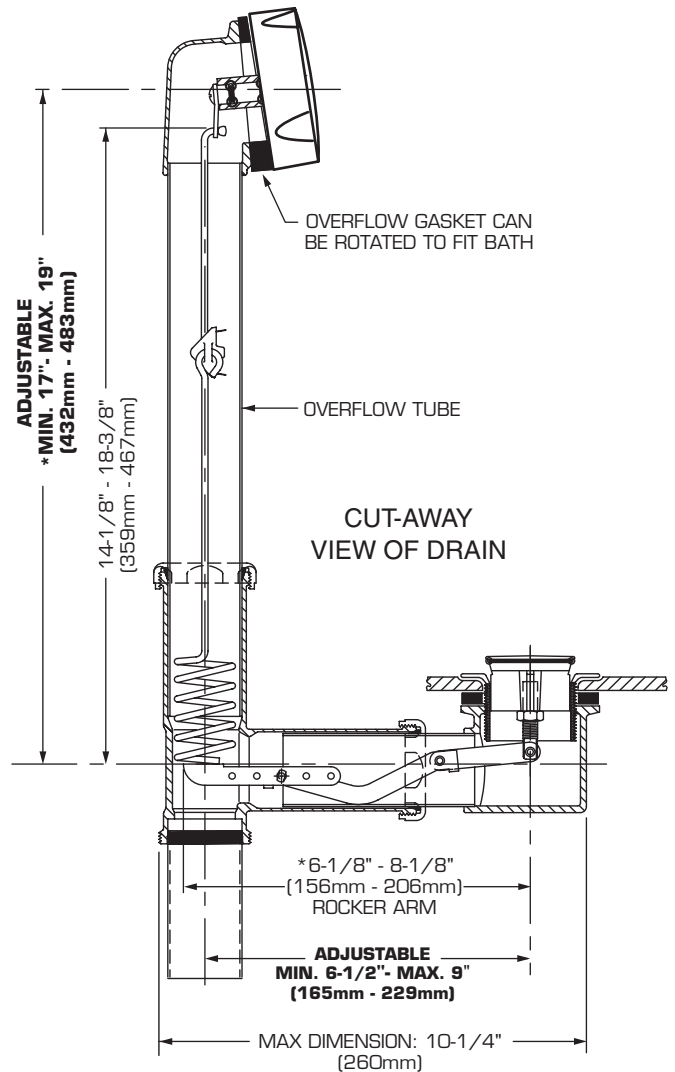
PRODUCT FEATURES:

Universal Drain: Works with all American Standard bathtubs and whirlpool baths.

Rotary Knob Feature: Controls pop-up drain stopper.

Brass Construction: Durable - Ideal for prolonged contact with water.

Choice of Finishes: Available in 002 Polished Chrome, 295 Satin Nickel (PVD), 099 Polished Brass or 020 White.



Notes:

Overflow tube may be cut for some installations.
Drains use short waste tee provided.

*For distances greater than max. dimension, order: Rocker arm extension kit, part # 752418-0070a, provides 2" extension.

SUGGESTED SPECIFICATION:

Drain shall be constructed of 1-1/2" tubular brass with rotary knob linkage system. For bathtubs and whirlpools up to 19" distance from center of overflow to center of horizontal drain. Fitting shall be American Standard Model # 1583.470._____.