

**MODEL NUMBER:**

- ☐ **2411.015 Grid Drain With Overflow**  
Polished Chrome or Satin Nickel Finish.

**GENERAL DESCRIPTION:**

Brass grid drain with overflow. 1-1/4" (32mm) tailpiece.  
Brass construction.

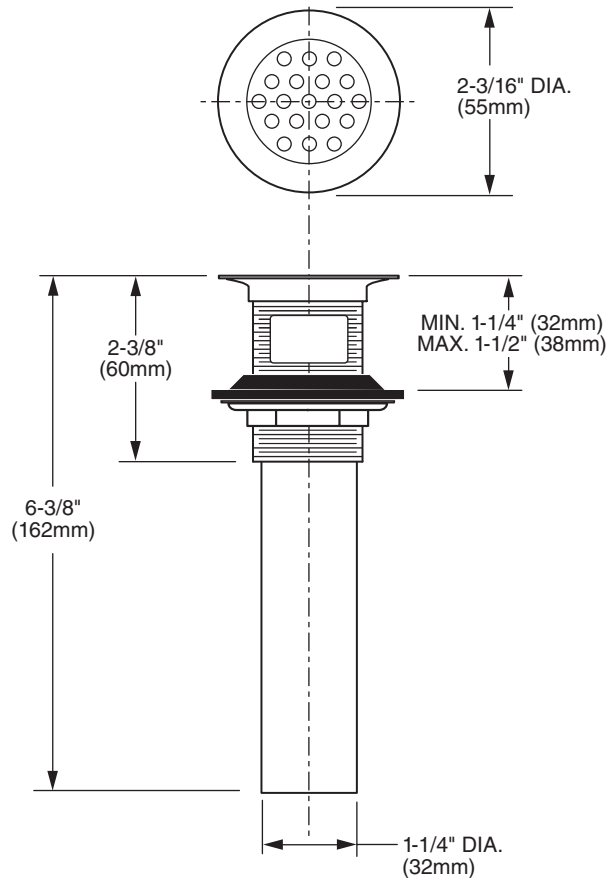
**PRODUCT FEATURES:**

- Brass construction with overflow
- Removable grid strainer
- 1-1/4" tailpiece
- Available in Chrome (002) & Satin Nickel PVD (295)

**CODES AND STANDARDS**

These products meet or exceed the following codes and standards:

**ASME A112.18.2**  
**CSA B 125.2**



**SUGGESTED SPECIFICATION:**

Grid drain shall be of brass construction with 1-1/4" overflow. Product shall feature removable grid strainer. Fitting shall be American Standard Model # 2411.015.\_\_\_\_\_.