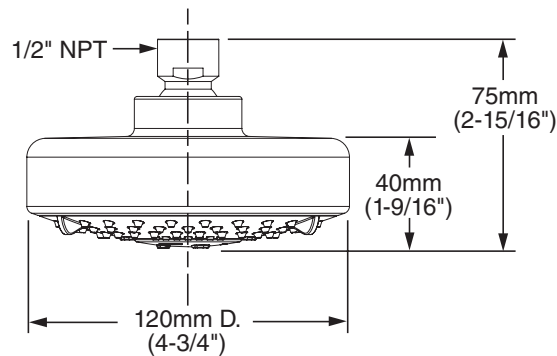


MODEL NUMBER:

- 1660.650** Multifunction Rain Showerhead Only



GENERAL DESCRIPTION:

3-Function rain showerhead. Spray pattern adjusts from Gentle Rain to Hard Rain to Massage. Includes pressure compensating flow control device. Brass ball joint. Easy clean spray nozzles. 1/2" NPT connection. 2.5gpm/9.5L/min. maximum flow rate.

PRODUCT FEATURES:

Variety of Spray Patterns: Allows the user to select the type of spray best suited to their needs.

Pressure Compensating Flow Control Device: Provides consistent flow over a wide pressure range.

Simple Spray Pattern Adjustment: Spray patterns can be changed with a flick of a finger.

Easy Clean Spray Nozzles: Easily clean lime and calcium buildup. Nozzles will not clog.

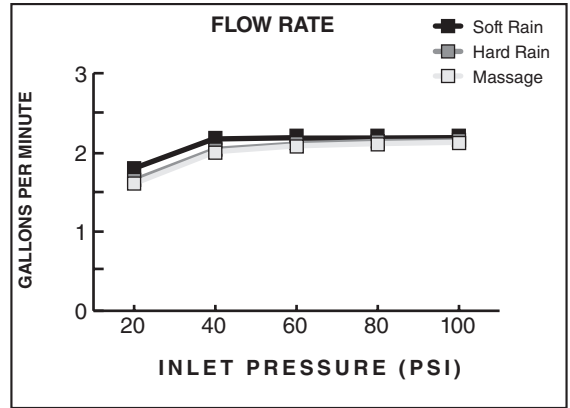
SUGGESTED SPECIFICATION

Showerhead shall have at least 3 spray patterns and brass ball joint. Showerhead shall have a pressure compensating control device. Fitting shall be American Standard Model # 1660.650.____.




CODES AND STANDARDS

These products meet or exceed the following codes and standards:

ASME A112.18.1
CSA 125.1



| Product Number | Description | Finish Options | |
|----------------|------------------------------------|-----------------|------------------|
| | | Polished Chrome | PVD Satin Nickel |
| | | 002 | 295 |
| 1660.650 | Multifunction Rain Showerhead Only | | |

| Showerhead Accessories | |
|------------------------|--|
| Product Number | Description |
| 1660.240 | Standard Shower Arm and Flange  |
| 1660.241 | Modern Shower Arm and Flange  |
| 1660.242 | Square Cast Shower Arm  |