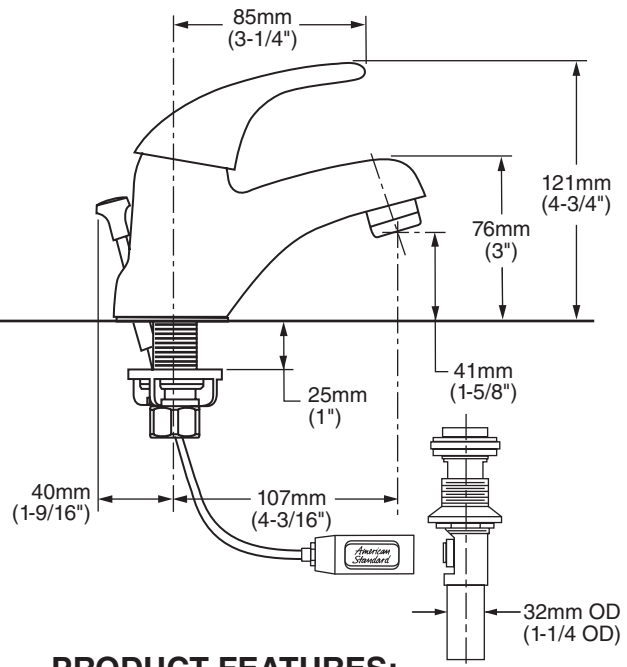
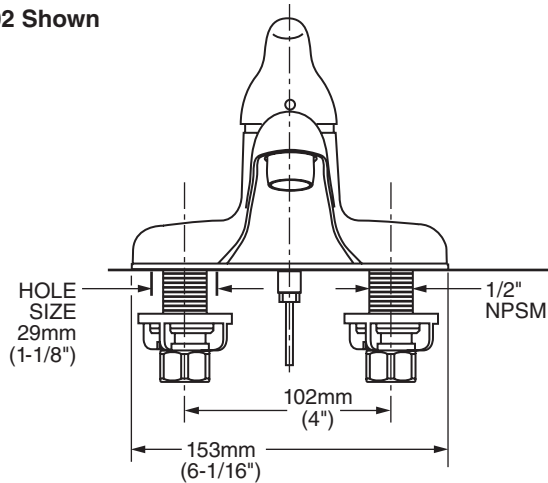


2175.502 Shown



GENERAL DESCRIPTION:

Single control lavatory faucet on 4" centers. Washerless 40mm ceramic disc valve cartridge with integral hot limit safety stop. Durable cast brass underbody with 1/2" male threaded brass inlet shanks. Metal body with color matched underbody. Metal lever handle. 20" (500mm) long flexible stainless steel drain cable is pre-assembled to faucet body. Metal Speed Connect® drain body with 1-1/4 inch (32mm) tail piece, (2175.502). Non-Metallic Speed Connect drain body with 1-1/4 inch (32mm) tail piece, (2175.503). 1.5 gpm/5.7L/min. maximum flow rate.

PRODUCT FEATURES:

Cast Brass Underbody with "City Shanks": Strong and durable. Integral tabs on casting provide a wobble-free installation.

Ceramic Disc Valve Cartridge: Assures a lifetime of drip-free performance.

Adjustable Hot Limit Safety Stop: Limits the amount of hot water allowed to mix with cold. Reduces the risk of accidental scalding.

Lead Free: Faucet contains 0.25% total lead content by weighted average.

Exclusive Speed Connect Metal Drain:

- Fewer parts. Installs in less time.
- No adjustments required - seals the first time, every time.
- Flexible stainless steel cable - installs effortlessly in tight spaces.

Longer Spout: Provides extended reach into lavatory.

Simple Installation: Fast and easy one person installation. Faucet drops in from top. Quick spin nuts secure faucet in place.

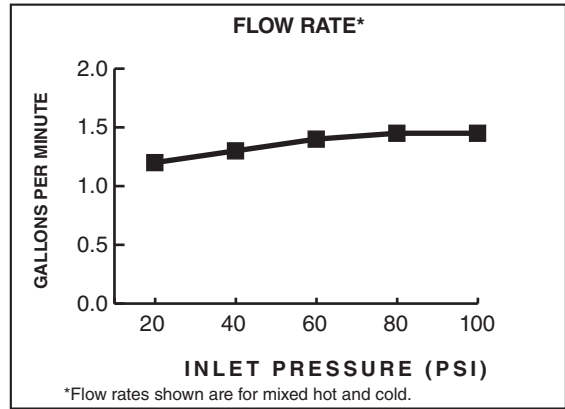
SUGGESTED SPECIFICATION:

Single control lavatory fitting shall feature cast brass underbody with 1/2" male inlet shanks. Shall also feature washerless 40mm ceramic disc valve cartridge with integral hot limit safety stop. Shall also feature a drain body with stainless steel cable actuation. Fitting shall be American Standard Model # 2175.____.____.

CODES AND STANDARDS


These products meet or exceed the following codes and standards:







- ANSI A117.1**
- ASME A112.18.1**
- NSF 61/Section 9 & Annex G**
- CSA B 125.1**



Product Number	Description	Finish Options	
		Polished Chrome	PVD Satin Nickel
		002	295
2175.502	Colony Single Control Centerset. Metal Speed Connect® Pop-up drain.		
2175.503	Colony Soft Single Control Centerset. Non-Metallic Speed Connect Pop-up drain.		N/A

N/A = Not Available

 Meets the American Disabilities Act Guidelines and **ANSI A117.1** Requirements for the physically challenged.

Available Modifications*		Part Suffix	
Flow Control Options		Non-Aerated 0.5gpm/1.9L/min. PCA Spray	__F05
		Vandal-Resistant Non-Aerated 0.5gpm/1.9L/min. PCA Spray	__V05
		1.0gpm/3.8L/min. PCA Aerator	__F10
		Vandal-Resistant 1.0gpm/3.8L/min. PCA Aerator	__V10
		Vandal-Resistant 1.5gpm/5.7L/min. PCA Aerator	__V15
		Non-Aerated Laminar PCA 1.5gpm/5.7L/min. Flow Outlet	__L15

*Modified product models are NOT Water Sense certified.