

INSTALLATION INSTRUCTIONS CARE AND MAINTENANCE

American Standard

Style That Works Better

CADET® 3
Flushing System



CADET® 3 - 1.6 GPF TWO-PIECE TOILET

Models 2383 / 2384 / 2386 / 2431 / 2755 / 2756 / 2757

CADET® 3 FloWise® - 1.28 GPF TWO-PIECE TOILET

Models 2232 / 2235 / 2758 / 2829 / 2830 / 2832 / 2833 /
2835 / 2836 / 2849 / 2431

Thank you for selecting American Standard - the benchmark of fine quality for over 100 years. To ensure this product is installed properly, please read these instructions carefully before you begin. (Certain installations may require professional help.) Also be sure your installation conforms to local codes.

CAUTION: PRODUCT IS FRAGILE. TO AVOID BREAKAGE AND POSSIBLE INJURY HANDLE WITH CARE!
NOTE: Pictures may not exactly define contour of china and components.

RECOMMENDED TOOLS AND MATERIALS

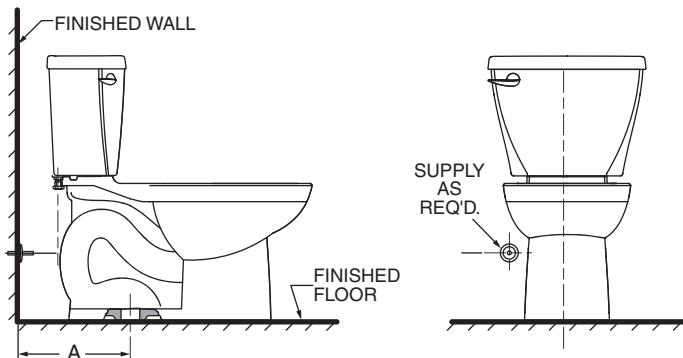
Putty Knife Regular Screwdriver Adjustable Wrench Sealant Tape Measure
Hacksaw Wax Ring/Gasket Flexible Supply Tube Closet Bolts Carpenters Level

1 REMOVE OLD TOILET

- Close toilet supply valve and flush tank completely. Towel or sponge remaining water from tank and bowl.
- Disconnect and remove supply line. NOTE: *If replacing valve, first shut off main water supply!*
- Remove old mounting hardware, remove toilet and plug floor waste opening to prevent escaping sewer gases.
- Remove closet bolts from flange and clean away old wax, putty, etc. from base area.
NOTE: *Mounting surface must be clean and level before new toilet is installed!*

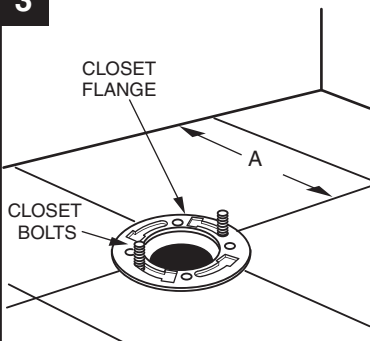
2 ROUGHING-IN DIMENSIONS:

NOTE: Distance from wall to closet flange centerline must be as listed on chart:



	MODELS		DIMENSION "A"
10" ROUGHS	2383.010	2830.128	254mm (10)
	2384.010	2833.128	
	2386.010	2836.128	
	2756.016	2849.128	
12" ROUGHS	2383.012	2758.813	305mm (12)
	2384.012	2829.128	
	2386.012	2832.128	
	2386.800	2835.128	
	2431.010	2835.813	
	2431.101	2232.128	
	2755.016	2235.128	
2758.128	2235.813		
14" ROUGHS	2383.014	2386.014	356mm (14)
	2384.014	2757.016	

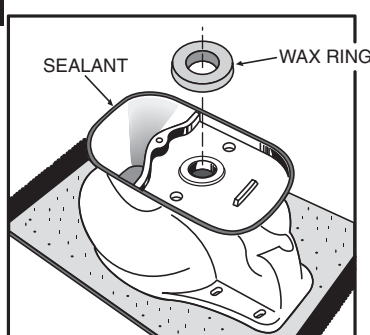
3



INSTALL CLOSET BOLTS

Install closet bolts in flange channel, turn 90°, and slide into place 6" (152mm) apart and parallel to wall.

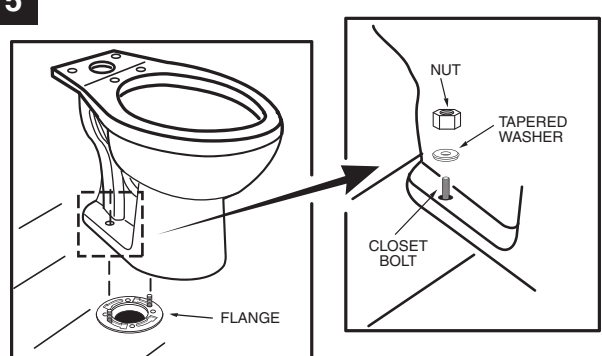
4



INSTALL WAX SEAL

Invert toilet on floor (cushion to prevent damage), and install wax ring evenly around waste flange (horn), with tapered end of ring facing toilet. Apply a thin bead of sealant around toilet base.

5



POSITION TOILET ON FLANGE

- Unplug floor waste opening and install toilet on closet flange so bolts project through mounting holes.
- Loosely install retainer washers and nuts. Side of washers marked "THIS SIDE UP" must face up!

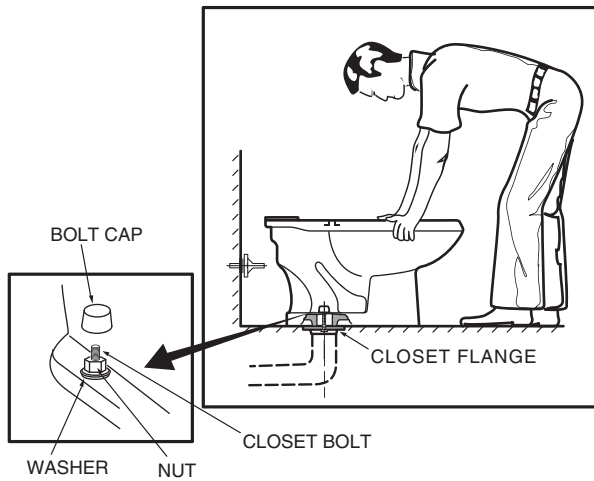
SAVE FOR FUTURE USE



Product names listed herein are trademarks of AS America, Inc.
© AS America, Inc. 2011

730928-100 Rev. Q

6



INSTALL TOILET

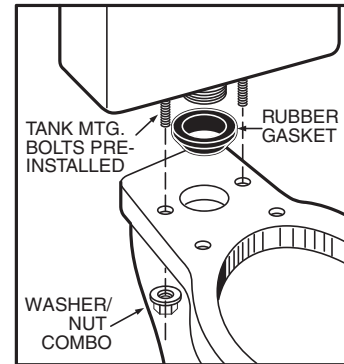
- Position toilet squarely to wall and, with a rocking motion, press bowl down fully on wax ring and flange. Alternately tighten nuts until toilet is firmly seated on floor.

⚠ CAUTION:
DO NOT OVERTIGHTEN NUTS
OR BASE MAY BE DAMAGED!

- Install caps on washers. (If necessary, cut bolt height to size before installing caps.)
- Smooth off the bead of sealant around base. Remove excess sealant.

7

For Tanks/Bowls using Speed Connect System
(Tank mounting bolts pre-installed).



INSTALL TANK

- Install large rubber gasket over threaded outlet on bottom of tank and lower tank onto bowl so that tapered end of gasket fits evenly into bowl water inlet opening, and tank mounting bolts go through mounting holes. Secure with metal washer/nut combo.
- With tank parallel to wall, alternately tighten nuts until tank is snugged down evenly against bowl surface.

* USE INCLUDED TOOL, NUT DRIVER, OR DEEP SOCKET RACHET.

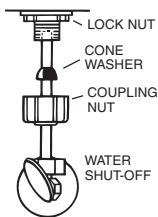
⚠ CAUTION:
DO NOT OVERTIGHTEN NUTS MORE
THAN REQUIRED FOR A SNUG FIT!

8 INSTALL TOILET SEAT Install toilet seat in accordance with manufacturer's directions.

9a

Before continuing, determine the type of water supply connection you have from the chart below and use the appropriate assembly parts required to properly reconnect the water supply. DO NOT use plumber's putty to seal these fittings.

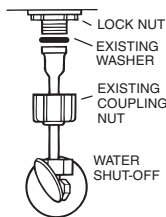
METAL / COPPER FLARED TUBING



These parts must be used as illustrated to insure water-tight connection. Use of existing coupling nut may result in water leakage. Water supply tube or pipe must extend at least 1/2" inside threaded shank of valve (does not apply to flanged tubing).

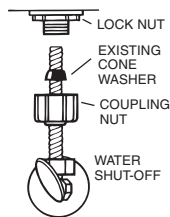
**CAUTION: DO NOT USE
CONE WASHER WITH
PLASTIC SUPPLY LINE.**

METAL FLANGED TUBING



Use existing coupling nut and washer.

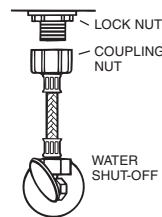
METAL SPIRAL TUBING



Use existing spiral cone washer. Fluidmaster cone washer may not seal completely on spiral type supply line.

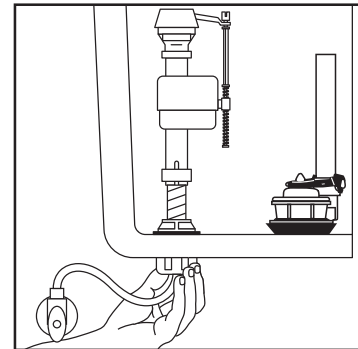
**CAUTION: Overtightening of
LOCK NUT or COUPLING NUT
could result in breakage and
potential flooding.**

VINYL / BRAIDED CONNECTOR



Captive cone washers already included. No additional washers needed.

9b



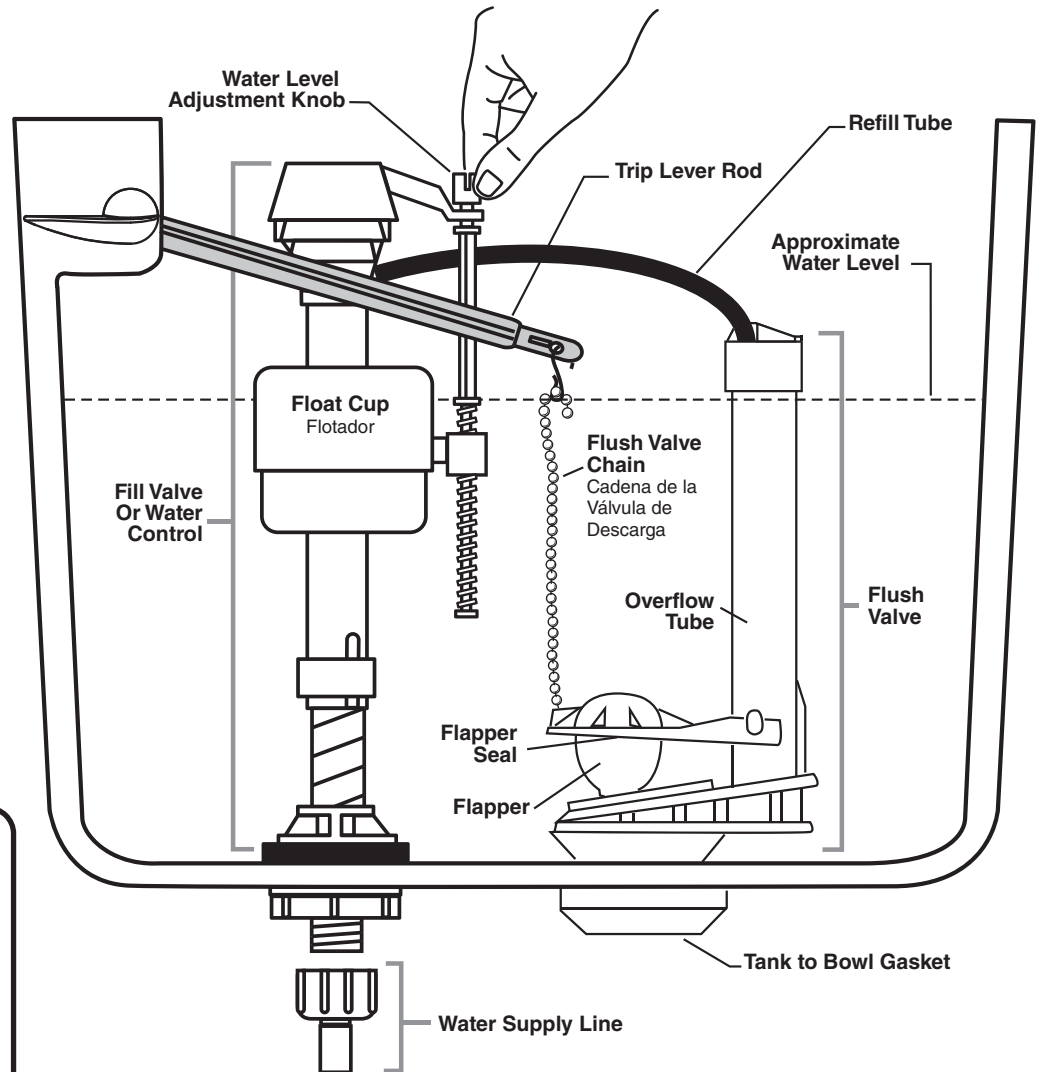
With correct washers in place (see Step 9a), tighten COUPLING NUT 1/4 turn beyond hand tight.

DO NOT OVERTIGHTEN.

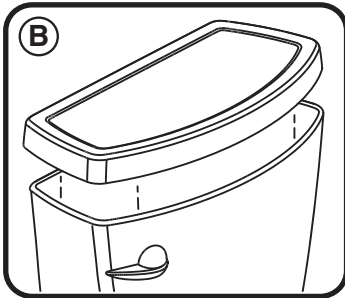
⚠ WARNING: Do not use plumber's putty, pipe dope, or any other sealant on the water supply connection to this tank. If the connection leaks after hand tightening, replace the supply line. If the connection continues to leak with the new supply line, replace the fill valve.
Warranty is void if any type of sealant is used on the water supply connection.

A

Adjust Water Level To Level Indicated On Tank By Turning Water Level Adjustment Knob To Move Float Cup Up Or Down.



B



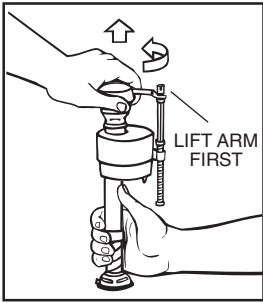
CARE AND CLEANING

When cleaning your toilet, wash it with mild, soapy water, rinse thoroughly with clear water and dry with a soft cloth.

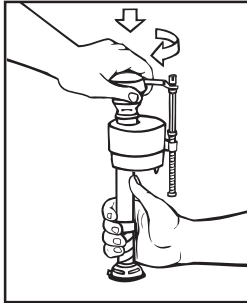
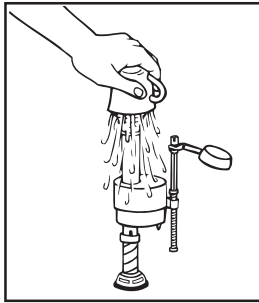


WARNING: Do not use in-tank cleaners. These products can seriously corrode fittings in the tank. This damage can cause leakage and property damage.

American Standard shall not be responsible or liable for any damage caused by the use of in-tank cleaners.



LIFT ARM FIRST



IMPORTANT: Always clear sand and rust from system.

- Make sure water supply is off. Remove valve TOP by lifting arm and rotating top and arm 1/8 turn counterclockwise, pressing down slightly on cap.

- While holding a container over the uncapped VALVE to prevent splashing, turn water supply on and off a few times. Leave water supply off.

- Replace TOP by engaging lugs and rotating 1/8 turn clockwise. **MAKE CERTAIN TIP IS TURNED TO THE LOCKED POSITION. VALVE MAY NOT TURN ON IF TOP IS NOT FULLY TURNED TO THE LOCKED POSITION.**

Always use quality Fluidmaster repair parts when maintaining your Fluidmaster products. Fluidmaster shall not be responsible or liable for any damages caused by products used with Fluidmaster valves that were not manufactured by Fluidmaster, Inc.

TROUBLESHOOTING

IF FILL VALVE SHUTS OFF BUT CONTINUES TO LEAK SLOWLY, repeat Step 13.

IF FILL VALVE TURNS OFF AND ON DURING PERIODS OF NON-USE, it is a signal you are wasting water because:

- The end of the refill tube is inserted into overflow pipe, below water level in tank. Attach refill tube to overflow pipe using "S" clip provided.
- The flush valve is leaking because it's worn, dirty or misaligned with tank ball or flapper (replace with a new flapper).

IF FILL VALVE WON'T TURN ON OR SHUT OFF or REFILL OF TANK WATER IS SLOW after valve has been in use for some time, Fluidmaster Model 242 Replacement Seal may be needed.

Go to our website at www.fluidmaster.com for more solutions to toilet problems.

For troubleshooting information please contact:



30800 Rancho Viejo Road
San Juan Capistrano, CA 92675
(949) 728-2000 (800) 631-2011
www.fluidmaster.com

© 2001 Fluidmaster, Inc.
© Registered trademark of Fluidmaster, Inc.

See Step 10 For Diagram **Troubleshooting Guide**

Problem	Possible Cause	Corrective Action
Does not flush	a. Water supply valve closed. b. Supply line blocked. c. Flush valve chain too loose or disconnected. d. Sand or debris lodged in water control.	a. Open valve and allow water to fill tank. b. Shut off water supply, disconnect supply line and inspect all gaskets and washers. Reassemble. c. Readjust chain length as required. d. Shut off water supply. Remove cap and clean as per Fluidmaster maintenance instructions at: www.americanstandard-us.com/enews/fluidmasterguide.pdf
Poor or sluggish flush	a. Bowl water level too low. b. Supply valve partly closed. c. Partially clogged trapway and/or drain pipe and/or vent. d. Supply pressure too low.	a. Check that refill tube is connected to water control and inserted into overflow tube without being kinked or damaged. b. Open supply valve fully. Be sure that proper supply tube size is used. c. Remove obstruction. Consult a plumber if necessary. d. Normal supply pressure must be at least 20 psi.
Toilet leaks	a. Poor supply line connection. b. Poor bowl to tank/floor connection.	a. Review Step 8 of installation procedure. b. Review Step 1 through 6 of installation procedure.
Toilet does not shut off	a. Flapper seal leaking or deformed. b. Sand or debris lodged in water control. c. Flush valve chain too tight, holding flapper open.	a. Clean debris from seal surface. Replace flapper seal as needed. b. Shut off water supply. Remove cap and clean as per Fluidmaster maintenance instructions at: www.americanstandard-us.com/enews/fluidmasterguide.pdf c. Readjust chain length as needed.
Toilet bowl rocks after installation	a. Wax ring not fully compressed. b. Floor not level.	a. Retighten bowl-to-floor knobs. b. Use toilet shims and /or place a bead of caulk around the base of the toilet.

FOR REPAIR PARTS LIST, SEE UNDER TANK LID.

In the United States:

American Standard Brands
P.O. Box 6820
Piscataway, New Jersey 08855
Attention: Director of Consumer Affairs

For residents of the United States, warranty information may also be obtained by calling the following toll free number: (800) 442-1902
www.americanstandard-us.com

In Canada:

AS Canada ULC
5900 Avebury Rd.
Mississauga, Ontario
Canada L5R 3M3

Toll Free: (800) 387-0369
www.americanstandard.ca

In Mexico:

Customer Service Manager
AS Maquila, S.A. de C.V.
Via Morelos #330
Col. Santa Clara
Ecatepec 55540 Edo. Mexico
www.americanstandard.com.mx