

# 1603SG – EVERYDAY SHOWERS

inches (mm)

60 x 35 x 72 (1525 x 890 x 1830) • Fax on Demand #1045

MODEL #1603SG

SUPERCORE SHOWER #1603SGSC



## FEATURES

- Shower stall
- Smooth wall finish
- Molded seats (2)
- Molded toiletry shelves
- Slip-resistant textured bottom
- Center drain
- Gelcoat surface
- 5-year limited warranty

## OPTIONS

- Grab bar reinforcement
- Factory installed assisted care grab bars
- Brass shower drain
- Shower door series L0517

## AQUATIC ADVANTAGE

- National distribution
- 5 manufacturing facilities
- Private fleet
- Centralized customer service
- Field support
- 24-hour fax-on-demand

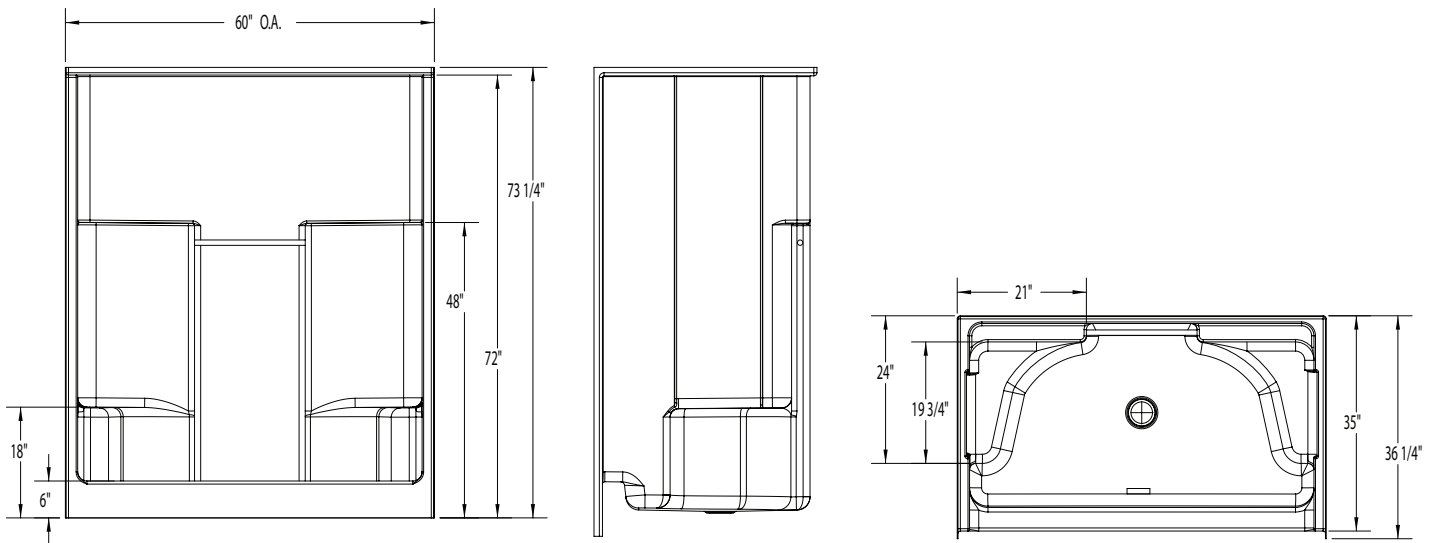
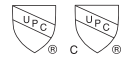
## COLOR & TRIM OPTIONS

Stock	Premium
Almond	Black
Biscuit	Mexican Sand
Bone	Sand Bar
Linen	
Sterling Silver	
White	



# 1603SG

60 x 35 x 72 (1525 x 890 x 1830)  
inches (mm)



**FEATURES** lbs (kg) Dimensional Tolerance  $\pm \frac{3}{8}$ ". Dimensions needed for site preparation should be measured from the unit. Aquatic assumes no responsibility for preparatory work.

Model #	Material	Wall Finish	Pieces	Drain	Seat	Net Wt.	Pkg. Wt.
Shower #1603SG	Gelcoat	Smooth	1	Center	2 seats	121 (55)	126 (57)

## DIMENSIONS

Specifications	inches (mm)
Width: Overall / Net	60 (1525)
Depth: Overall / Net	36 1/4 (920) / 35 (890)
Height: Overall / Net	73 1/4 (1860) / 72 (1830)
Enclosure Opening	55 3/4 (1415)
Skirt Height	6 (150)
Drain Rough-In (from Back Wall)	15 3/4 (400)
Drain Rough-In (from Side Wall)	30 (760)
Drain: Diameter / Clearance	3 1/4 (85) / 3/4 (20)

## FRAMING DIMENSIONS inches (mm)

Type	D Depth	W Width	H Height	A	B	C
Alcove	36 1/4 (920)	60 1/8 (1525)	-	Box Out	30 (760)	15 3/4 (400)

