

# BELMONT II – BUILDERS' CHOICE

inches (mm)

71 x 41 ¼ x 23 7/8 (1805 x 1048 x 605) • Fax on Demand #5041

SOAKER MODEL #4072620

WHIRLPOOL MODEL #4072621



## AQUATIC ADVANTAGE

- National distribution
- 5 manufacturing facilities
- Private fleet
- Centralized customer service
- Field support
- 24-hour fax-on-demand

## COLOR & TRIM OPTIONS

Stock

Almond (C)  
Bone (C)  
Linen/Biscuit (C)  
Sterling Silver (C)  
White (C)

C = Color Matched Trim

## FEATURES

- 8 hydrotherapy jets
- .75 hp pump
- Advanced safety suction system
- Bath-side on/off button
- Sculpted armrests
- Slip-resistant floor
- Universal drain
- Lucite cast acrylic surface
- Limited 10-year warranty

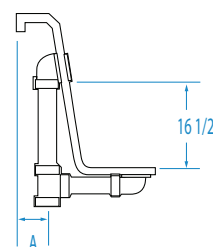
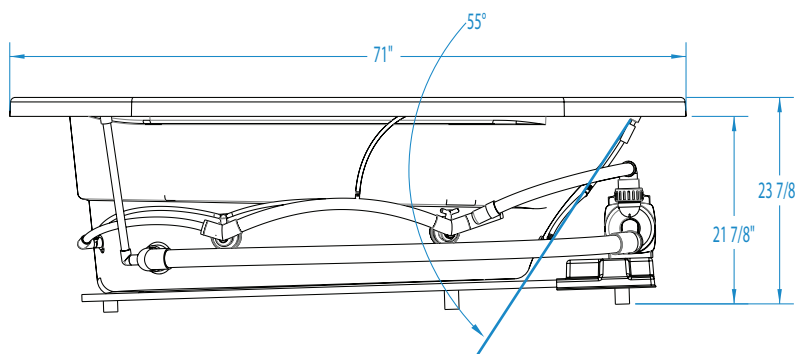
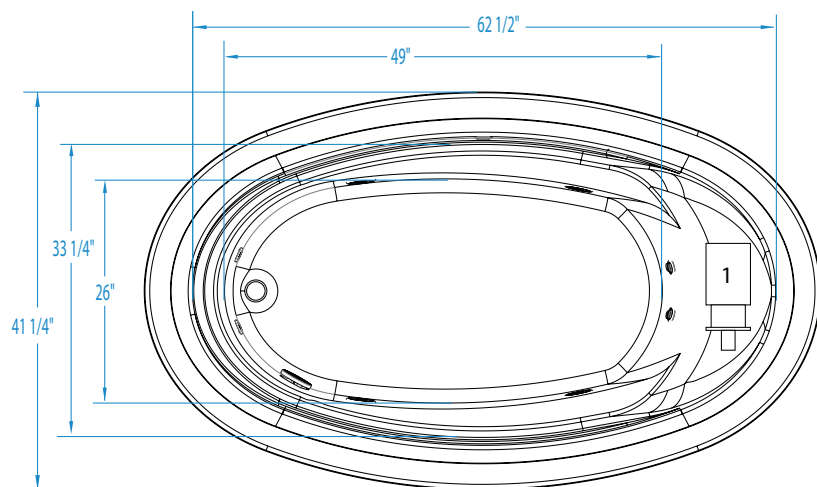
## OPTIONS

- Comfort pillow:  
Biscuit, Black, White
- 1.5kW inline maintenance heater
- Cable drive waste & overflow:  
Chrome, Oil Rubbed Bronze,  
Polished Brass, Brushed Nickel,  
Color Matched (Biscuit,  
Bone, White)
- Lift & turn waste & overflow:  
Chrome, Oil Rubbed Bronze,  
Polished Brass, Brushed Nickel



# BELMONT II

71 x 41 1/4 x 23 7/8 (1805 x 1048 x 605)  
inches (mm)



**FEATURES** lbs (kg) Dimensional Tolerance  $\pm 3/8"$ . Dimensions needed for site preparation should be measured from the unit. Aquatic assumes no responsibility for preparatory work.

| Type and Model #   | Material | Jets | Pump    | Heater                  | Controls  | Drain     | Pkg. Wt. |
|--------------------|----------|------|---------|-------------------------|-----------|-----------|----------|
| Soaker #4072620    | Acrylic  | 0    | -       | -                       | -         | Universal | 119 (54) |
| Whirlpool #4072621 | Acrylic  | 8    | 0.75 HP | 1.5kW inline (optional) | Pneumatic | Universal | 169 (77) |

## DIMENSIONS inches (mm)

| Width<br>Overall / Net | Depth<br>Overall / Net | Height<br>Overall / Net | Skirt<br>Height |
|------------------------|------------------------|-------------------------|-----------------|
| 71 (1805)              | 41 1/4 (1048)          | 23 7/8 (605)            | -               |

## SUMP DATA inches (mm)

| Capacity to<br>Overflow<br>gal (ltr) | Min. Operating<br>Capacity<br>gal (ltr) | WIDTH @ centerline |           | DEPTH @ centerline |          |
|--------------------------------------|---|--------------------|-----------|--------------------|----------|
|                                      |   | Top                | Bottom    | Top                | Bottom   |
| 67 (254)                             | 50 (189)                                | 62 1/2 (1590)      | 49 (1245) | 33 1/4 (845)       | 26 (660) |

## PLUMBING DIMENSIONS inches (mm)

| A          | Drain<br>to Overflow | Drain<br>Diameter / Clearance |
|------------|----------------------|-------------------------------|
| 3 1/2 (90) | 16 1/2 (420)         | 2 (50) / 1 7/8 (50)           |

## ELECTRICAL DATA

| Component | Specification        | Requirement                                     |
|-----------|----------------------|---|
| Pump      | .75 HP; 5 AMP; 120 V | 15 AMP; 120V, separate circuit;<br>Class A GFCI |

### NOTES:

1) Where applicable, utilize cut-out templates packed with unit for deck cutouts.

2) 16 x 20 (405 x 510) minimum access required at pump/blower location(s).