

# 260304P – REMODELINE SECTIONALS

inches (mm)

60 x 30 x 76 (1525 x 760 x 1930) • Fax on Demand #1172

Pocketed connection system locks sections together without fasteners



## FEATURES

- 4-piece tub-shower
- Smooth wall
- Molded toiletry shelves
- Installed acrylic grab bar
- Left or right hand drain
- Gelcoat surface
- 5-year limited warranty

## OPTIONS

- Grab bar reinforcement
- Factory installed assisted care grab bars
- Brass shower drain
- Shower Door Series L0516

## AQUATIC ADVANTAGE

- National distribution
- 5 manufacturing facilities
- Private fleet
- Centralized customer service
- Field support
- 24-hour fax-on-demand

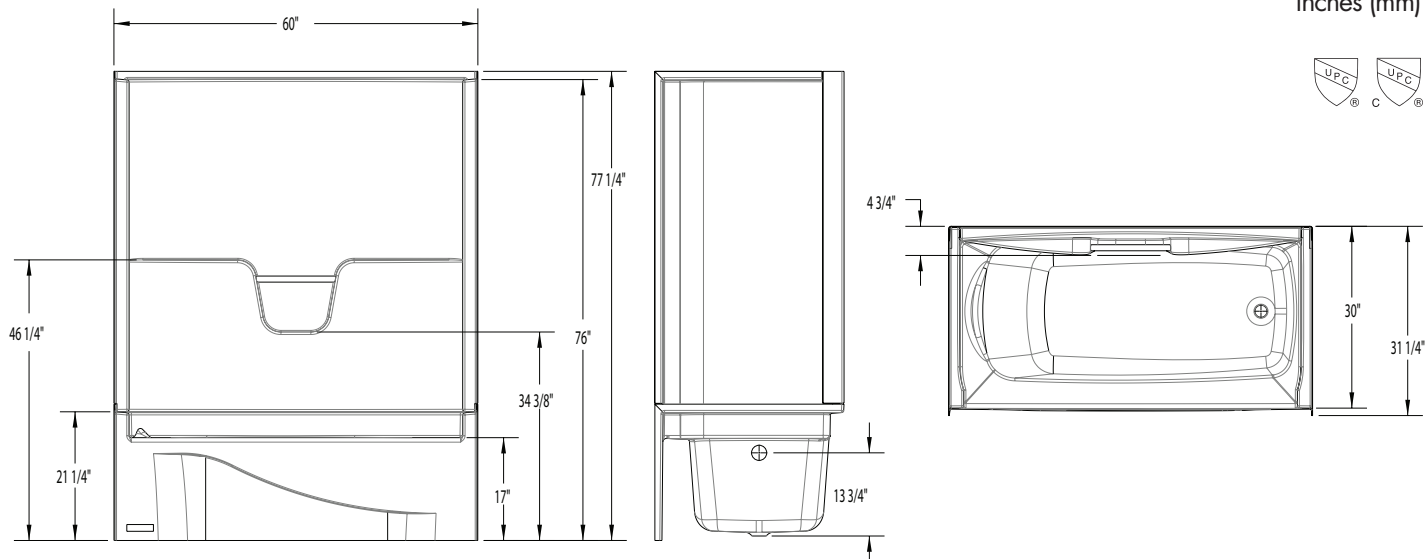
## COLOR & TRIM OPTIONS

Stock	Premium
Almond	Black
Biscuit	Mexican Sand
Bone	Sand Bar
Linen	
Sterling Silver	
White	



# 260304P

60 x 30 x 76 (1525 x 760 x 1930)  
inches (mm)



**FEATURES** lbs (kg) Dimensional Tolerance  $\pm \frac{3}{16}$ ". Dimensions needed for site preparation should be measured from the unit. Aquatic assumes no responsibility for preparatory work.

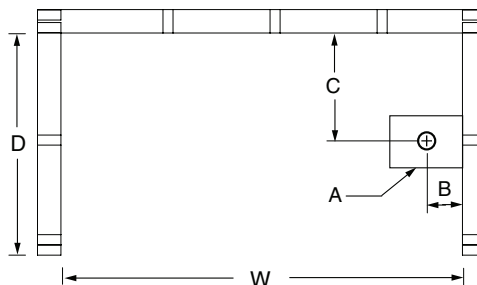
Model #	Material	Wall Finish	Pieces	Drain	Net Wt.	Pkg. Wt.
260304P	Gelcoat	Smooth	4	LH or RH	177 (80)	182 (83)

## DIMENSIONS

Specifications	inches (mm)
Width: Overall / Net	60 (1525)
Depth: Overall / Net	31 1/4 (795) / 30 (760)
Height: Overall / Net	77 1/4 (1960) / 76 (1930)
Enclosure Opening	55 (1400)
Skirt Height	17 (430)
Drain Rough-In (from Back Wall)	14 (355)
Drain Rough-In (from Side Wall)	8 1/2 (215)
Drain: Diameter / Clearance	2 (50) / 3/4 (20)

## FRAMING DIMENSIONS inches (mm)

Type	D Depth	W Width	H Height	A	B	C
Alcove	31 1/4 (795)	60 (1525)	-	Box Out	8 1/2 (215)	14 (355)



## SUMP DATA

Top of Drain to Bottom of Overflow	Capacity to Overflow gal (litr)	WIDTH @ centerline		DEPTH @ centerline	
		Top	Bottom	Top	Bottom
13 3/8 (345)	43 (163)	52 1/8 (1325)	42 7/8 (1090)	22 3/4 (580)	21 (535)