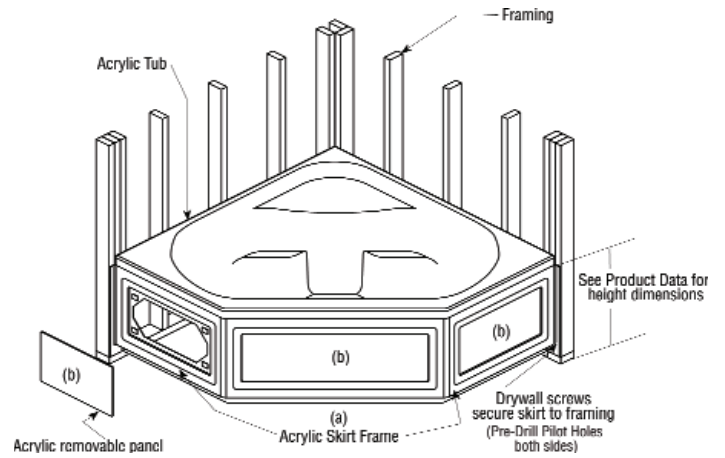
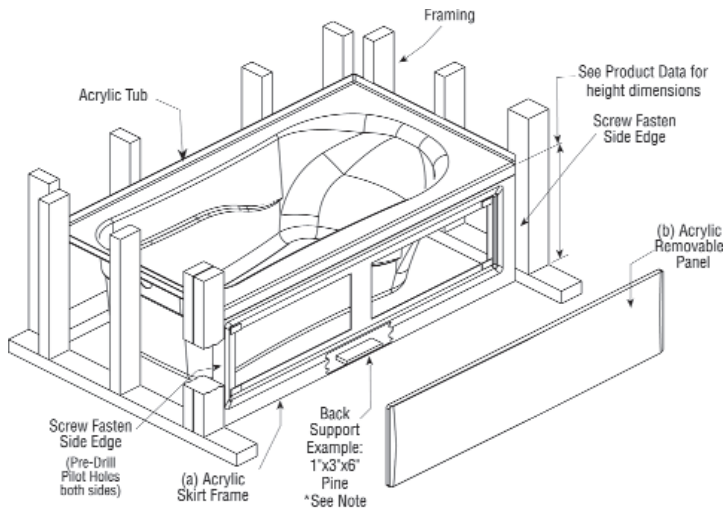


- Provides for a flush-to-wall installation (sheet rock overlaps fixed skirt while still providing access)
- Features decorative removable panel for easy access to motor locations, jets and plumbing
- Interlocking nylon fasteners enable simple and quick removal of skirt access panel
- Coordinating skirt models and skirt heights are listed below for all Aquatic acrylic whirlpools and soaking tubs
- Please note that when ordering the skirt, the corresponding height and model must be indicated to ensure proper fit (see chart below)



STANDARD ACRYLIC WHIRLPOOLS				
Name	Model #	Skirt #	Skirt Ht. inches (mm)	AFR Skirt Ht. inches (mm)
60" SKIRTS				
Alydar I	5660621	60ACSK	21 7/8" (555)	Not Available
Ascot I	4360531	60ACSK	19 1/2" (495)	21 1/2" (545)
Batavia	660621	60ACSK	18 1/2" (470)	20 1/2" (520)
Deauville	4660621	60ACSK	18 1/2" (470)	20 1/2" (520)
Derby	3760621	60ACSK	18 7/8" (480)	20 7/8" (530)
Hialeah I	6260621	60ACSK	21 1/2" (545)	Not Available
Montrose I	4160621	60ACSK	19 1/2" (495)	21 1/2" (545)
Cavalcade	3860621	6020CSK or 6020CFSK	20" (510)	Not Available
66" SKIRTS				
Antares II	3266421	66ACSK	21" (533)	Not Available
Ascot II	4466531	66ACSK	19 1/2" (495)	21 1/2" (545)
72" SKIRTS				
Alydar II	5772621	72ACSK	21 7/8" (555)	Not Available
Ascot III	4272621	72ACSK	19 1/2" (495)	21 1/2" (545)
Hialeah II	6472621	72ACSK	21 7/8" (555)	Not Available
Montrose II	4272621	72ACSK	19 3/4" (500)	21 3/4" (550)
Morice	8872621	72ACSK	22" (560)	Not Available



* Note: To prevent the skirt from flexing, mount a back support (1"x3" approximately) horizontally and centered directly behind the skirt.

Aquatic whirlpools have color matching optional skirts for alcove and corner installations. The skirt can be used as an access panel to the pump and controls and is designed to have the finished wall materials butt up to the acrylic skirt frame and allows installation clearances for baseboard, heaters and floor materials.

Follow skirt mounting procedures below after installation of whirlpool.

NOTE: Do not start installation until you have read ALL installation instructions COMPLETELY.

The fixed acrylic skirt must be installed BEFORE the finished floor and wall materials are installed.

IMPORTANT: Before installation of the skirt, fill the unit and test the whirlpool system and drain waste for leaks. Test the whirlpool system for proper operation. See general procedures for Aquatic whirlpools.

Skirt Kit contents:

- (a) Skirt frame
- (b) Removable skirt panel(s)

Tools and materials required:

- Level
- Carpenter's square
- Drywall or wood screws
- Screwdriver
- Measuring tape
- Shim materials (AS NEEDED)

Installation Procedures

1. Make sure the alcove or corner frame opening is plumb and dimensionally correct: 60", 66" or 72" (see Product Data, +1/8", -0). Align the skirt frame so that the top is flush with the bottom of the tub rim. Ensure that the skirt frame is plumb with the floor.
2. Pre-drill pilot holes for fastening.
3. Fasten both ends of the frame to stud at three points.
4. Drywall and finish materials should be installed at this time.

NOTE: To remove panels, simply pry loose.