

SANTA CLARA – ESTATE SERIES

inches (mm)

60 x 32 x 23 ½ (1525 x 815 x 600) • Fax on Demand #1307

LEFT DRAIN MODEL #AI6032ISL

RIGHT DRAIN MODEL #AI6032ISR



AQUATIC ADVANTAGE

- National distribution
- 5 manufacturing facilities
- Private fleet
- Centralized customer service
- Field support
- 24-hour fax-on-demand

COLOR & TRIM OPTIONS

Stock	Premium
Almond (C, M)	Black (C, M)
Bone (C, M)	Cashmere (M)
Biscuit (C, M)	Mexican Sand (M)
Sterling Silver (C, M)	Red (M)
White (C, M)	Sandbar (M)

C = Color Matched Trim

M = Metallic Trim (Brushed Nickel, Chrome, Polished Brass)

FEATURES

- 7 hydrotherapy jets: pressure-flo (4), StressEaz neck and shoulder therapy (1), recessed rotary (2)
- 1.75hp pump
- Electronic on/off control
- Deep bathing well
- Bolt-on grab bars (2): color matched (Biscuit or White), Chrome
- Sculpted armrests
- Integral skirt with removable access panels
- Integral tile flange
- Slip-resistant floor
- Quiet pad anti-vibration pump mount
- Left or right drain
- Lucite cast acrylic surface
- Limited lifetime warranty

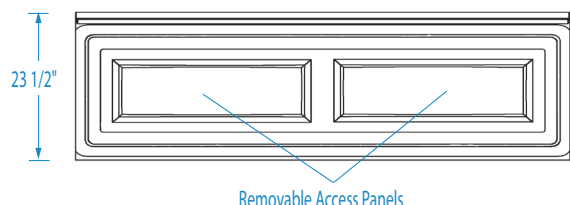
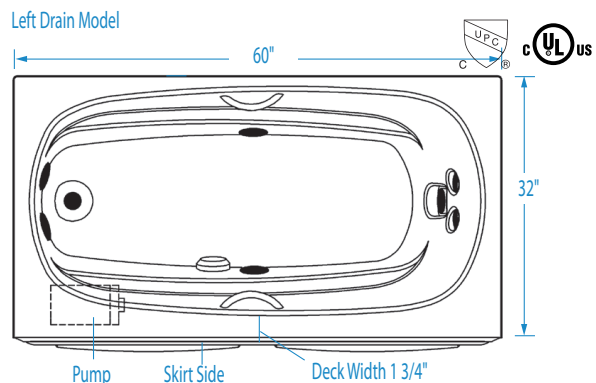
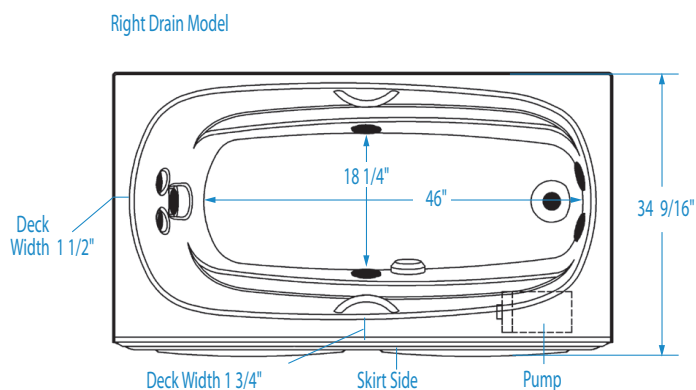
OPTIONS

- Chromotherapy LED lighting
- 1.5kW inline maintenance heater
- Comfort pillow: Biscuit, Black, White
- Cable drive waste & overflow: Chrome, Oil Rubbed Bronze, Polished Brass, Brushed Nickel, Color Matched (Biscuit, Bone, White)
- Optional pump location

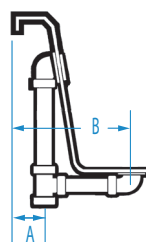


SANTA CLARA

60 x 32 x 23 1/2 (1525 x 815 x 600)
inches (mm)



Note: Requires a mortar base. ABS Support Base not included.



FEATURES lbs (kg) Dimensional Tolerance ± 3/8". Dimensions needed for site preparation should be measured from the unit. Aquatic assumes no responsibility for preparatory work.

Type and Model #	Material	Jets	Pump	Heater	Controls	Drain	Pkg. Wt.
Whirlpool #AI6032ISL/R	Acrylic	7	1.75 HP	1.5 kw Inline (optional)	Electronic on/off	LH or RH	135 (61)

DIMENSIONS inches (mm)

Width Overall / Net	Depth Overall / Net	Height Overall / Net	Skirt Height
60 (1525)	32 (815)	23 1/2 (600)	22 5/8 (575)

SUMP DATA inches (mm)

Capacity to Overflow gal (ltr)	Min. Operating Capacity gal (ltr)	WIDTH @ centerline		DEPTH @ centerline	
		Top	Bottom	Top	Bottom
69 (1750)	50 (189)	54 3/4 (1390)	46 (1170)	26 3/4 (680)	18 1/4 (465)

PLUMBING DIMENSIONS inches (mm)

A	B	Drain Diameter / Clearance
1 5/8 (40)	9 1/4 (235)	

ELECTRICAL DATA

Component	Specification	Requirement
Pump	1.75 HP; 12 AMP; 110 V	15 AMP; 110V, separate circuit; Class A GFCI
Optional Heater	1.5 kW; 12.5 AMP; 110 V	15 AMP; 110V, separate circuit; Class A GFCI

NOTES:

1) Where applicable, utilize cut-out templates packed with unit for deck cutouts.

2) 16 x 20 (405 x 510) minimum access required at pump/blower location(s).