

INFINITY 2 – INFINITY SERIES

inches (mm)

70 x 35 ½ x 30 ¾ (1780 x 900 x 780) • Fax on Demand #1287

MODEL #AI2INF7135



Not a drop-in model. Deck must be built around unit.

AQUATIC ADVANTAGE

- National distribution
- 5 manufacturing facilities
- Private fleet
- Centralized customer service
- Field support
- 24-hour fax-on-demand

COLOR & TRIM OPTIONS

Stock	Premium
Almond (C, M)	Black (C, M)
Bone (C, M)	Cashmere (M)
Linen/Biscuit (C, M)	Mexican Sand (M)
Sterling Silver (C, M)	Red (M)
White (C, M)	Sandbar (M)

C = Color Matched Trim

M = Metallic Trim (Brushed Nickel, Chrome, Polished Brass)

FEATURES

- 16 hydrotherapy jets: shiatsu & rotary (12), foot massage (2), pressure-flo (2)
- Pulsating neck jet pillow: Biscuit, Black, White
- 2hp pump
- Digital electronic control
- Shiatsu electronic control with pre-programmed jet sequencer
- Inline maintenance heater
- Fast fill waterfall spout
- Deep bathing well
- Sculpted armrests
- Slip-resistant floor
- Adjustable base
- Quiet pad anti-vibration pump mount
- Universal drain
- Lucite cast acrylic surface
- Limited lifetime warranty

OPTIONS

- Air Bath System:
 - Variable speed blower
 - Air heating system
 - Automatic purge and dry cycle with water sensors
 - Water-level activated dry cycle
- Comfort pillow: Biscuit, Black, White
- Cable drive waste & overflow: Chrome, Oil Rubbed Bronze, Polished Brass, Brushed Nickel, Color Matched (Biscuit, Bone, White)
- Available Without Fast-fill Waterfall Spout

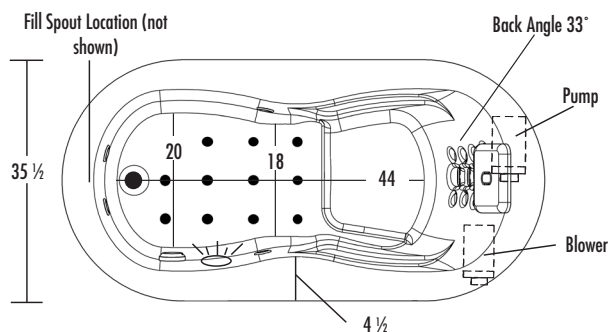


INFINITY 2

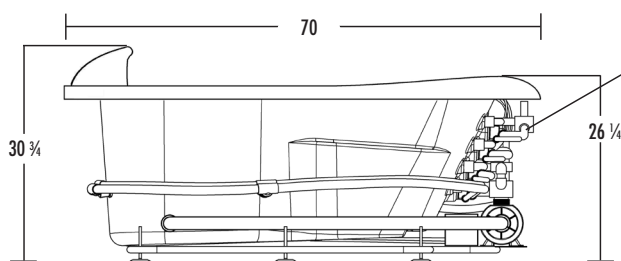
70 x 35 1/2 x 30 3/4 (1780 x 900 x 780)
inches (mm)



Not a drop-in model. Deck must be built around unit.
This unit has a 3/4" female waterfall fill spout connection.

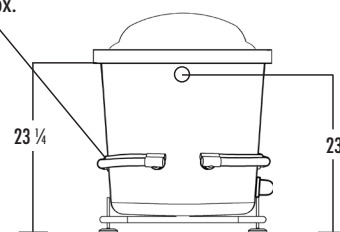


No alternate pump location available.
*Shown with optional air system.



Note: Infinity 2 is not a drop in model.
A deck must be built around the tub.

NOTE: Please allow for plumbing to extend approx. 3 beyond tub rim.



FEATURES lbs (kg) Dimensional Tolerance ± 3/8". Dimensions needed for site preparation should be measured from the unit. Aquatic assumes no responsibility for preparatory work.

Type and Model #	Material	Jets	Pump	Air System	Blower	Heater	Controls	Drain	Pkg. Wt.
Whirlpool #AI2INF7135	Acrylic	16	2 HP	Injector (optional)	Variable speed (optional)	1.5 kw Inline	Electronic	Universal	356 (160)

DIMENSIONS inches (mm)

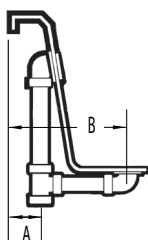
Width Overall / Net	Depth Overall / Net	Height Overall / Net	Skirt Height
70 (1780)	35 1/2 (900)	30 3/4 (780)	-

SUMP DATA inches (mm)

Capacity to Overflow gal (ltr)	Min. Operating Capacity gal (ltr)	WIDTH @ centerline		DEPTH @ centerline	
		Top	Bottom	Top	Bottom
102 (385)	69 (260)	60 1/2 (1535)	48 1/4 (1225)	26 (660)	20 1/4 (515)

PLUMBING DIMENSIONS inches (mm)

A	B
2 3/8 (60)	9 1/2 (240)



ELECTRICAL DATA

Component	Specification	Requirement
Pump	2 HP; 12 AMP; 110 V	15 AMP 2 pole, separate circuit, Class A GFCI
Inline Heater	1.5 kW; 12.5 AMP; 110 V	
Blower	1 HP; 10.5 AMP; 110 V	15 AMP 1 pole, separate circuit, Class A GFCI

NOTES:

1) Where applicable, utilize cut-out templates packed with unit for deck cutouts.

2) 16 x 20 (405 x 510) minimum access required at pump/blower location(s).