

# LUXEAIR 37 MOTIF – LUXEAIR SERIES

inches (mm)

60 ½ x 36 ½ x 25 (1535 x 925 x 635) • Fax on Demand #1295

MODEL #AI37LUX6036



## FEATURES

- 7 hydrotherapy jets: pressure-flo (4), StressEaz neck and shoulder therapy (2), recessed rotary (1)
- 1.75hp pump
- Electronic controls
- In-line maintenance heater
- Air bath system:
  - Variable speed blower
  - Air heating system
  - Automatic purge and dry cycle with water sensors
- Deep bathing well
- Slip-resistant floor
- Pre-leveled ABS support base
- Quiet pad anti-vibration pump mount
- Universal drain
- Lucite cast acrylic surface
- Limited lifetime warranty

## AQUATIC ADVANTAGE

- National distribution
- 6 manufacturing facilities
- Private fleet
- Centralized customer service
- Field support
- 24-hour fax-on-demand

## COLOR & TRIM OPTIONS

| Stock                  | Premium          |
|------------------------|------------------|
| Almond (C, M)          | Black (C, M)     |
| Bone (C, M)            | Cashmere (M)     |
| Linen/Biscuit (C, M)   | Mexican Sand (M) |
| Sterling Silver (C, M) | Red (M)          |
| White (C, M)           | Sandbar (M)      |

C = Color Matched Trim

M = Metallic Trim (Brushed Nickel, Chrome, Polished Brass)

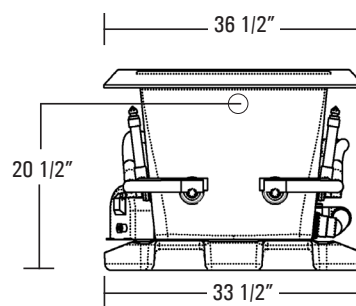
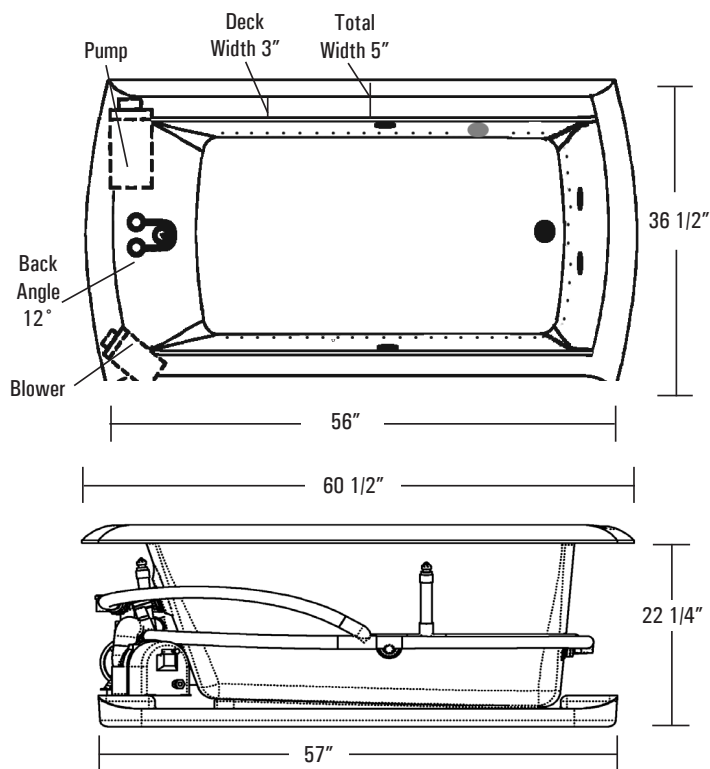
## OPTIONS

- Chromotherapy LED lighting
- Comfort pillow: Biscuit, Black, White
- Bolt-on grab bar(s): Chrome, Oil-Rubbed Bronze, Polished Brass, Brushed Nickel, Color Matched (Biscuit, White)
- Cable drive waste & overflow: Chrome, Oil Rubbed Bronze, Polished Brass, Brushed Nickel, Color Matched (Biscuit, Bone, White)



# LUXEAIR 37 MOTIF

60 1/2 x 36 1/2 x 25 (1535 x 925 x 635)  
inches (mm)



**FEATURES** lbs (kg) Dimensional Tolerance ± 3/8". Dimensions needed for site preparation should be measured from the unit. Aquatic assumes no responsibility for preparatory work.

| Type and Model #           | Material | Jets | Pump    | Air System | Blower         | Heater        | Controls   | Drain     | Pkg. Wt.  |
|----------------------------|----------|------|---------|------------|----------------|---------------|------------|-----------|-----------|
| Air-Whirlpool #AI37LUX6036 | Acrylic  | 7    | 1.75 HP | Channel    | Variable speed | 1.5 kw Inline | Electronic | Universal | 221 (100) |

**DIMENSIONS** inches (mm)

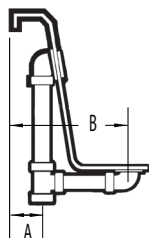
| Width<br>Overall / Net | Depth<br>Overall / Net | Height<br>Overall / Net | Skirt<br>Height |
|------------------------|------------------------|-------------------------|-----------------|
| 60 1/2 (1535)          | 36 1/2 (925)           | 25 (635)                | -               |

**SUMP DATA** inches (mm)

| Capacity to<br>Overflow<br>gal (ltr) | Min. Operating<br>Capacity<br>gal (ltr) |
|--------------------------------------|---|
| 74 (280)                             | 55 (1400)                               |

**PLUMBING DIMENSIONS** inches (mm)

| A       | B        |
|---------|----------|
| 6 (150) | 14 (355) |



**ELECTRICAL DATA**

| Component     | Specification           | Requirement                                   |
|---------------|-------------------------|---|
| Pump          | 1.75 HP; 12 AMP; 110 V  | 15 AMP 2 pole, separate circuit, Class A GFCI |
| Inline Heater | 1.5 kW; 12.5 AMP; 110 V |   |
| Blower        | 1 HP; 10.5 AMP; 110 V   | 15 AMP 1 pole, separate circuit, Class A GFCI |

**NOTE:**  
1) This whirlpool must be hard wired to the breaker box. Three outlets will be supplied on the whirlpool.

**NOTES:**  
1) Where applicable, utilize cut-out templates packed with unit for deck cutouts.

2) 16 x 20 (405 x 510) minimum access required at pump/blower location(s).