

# CAE260 – ACRYLIC SHOWERS

inches (mm)

60 x 34 x 78 (1525 x 865 x 1980) • Fax on Demand #1179

MODEL #CAE260



## FEATURES

- Stylized smooth wall
- Sculpted armrest
- Integral toiletry shelf
- Slip-resistant floor
- LH or RH drain
- Lucite cast acrylic surface
- Limited 5-year warranty

## OPTIONS

- Designer drain waste & overflow: Bone, Brushed Nickel, Polished Brass, Polished Chrome, Oil-Rubbed Bronze, Polished Brass
- Designer metallic grab bar: Chrome, Oil-Rubbed Bronze, Polished Brass, Brushed Nickel
- Shower door series: L0516

## AQUATIC ADVANTAGE

- National distribution
- 5 manufacturing facilities
- Private fleet
- Centralized customer service
- Field support
- 24-hour fax-on-demand

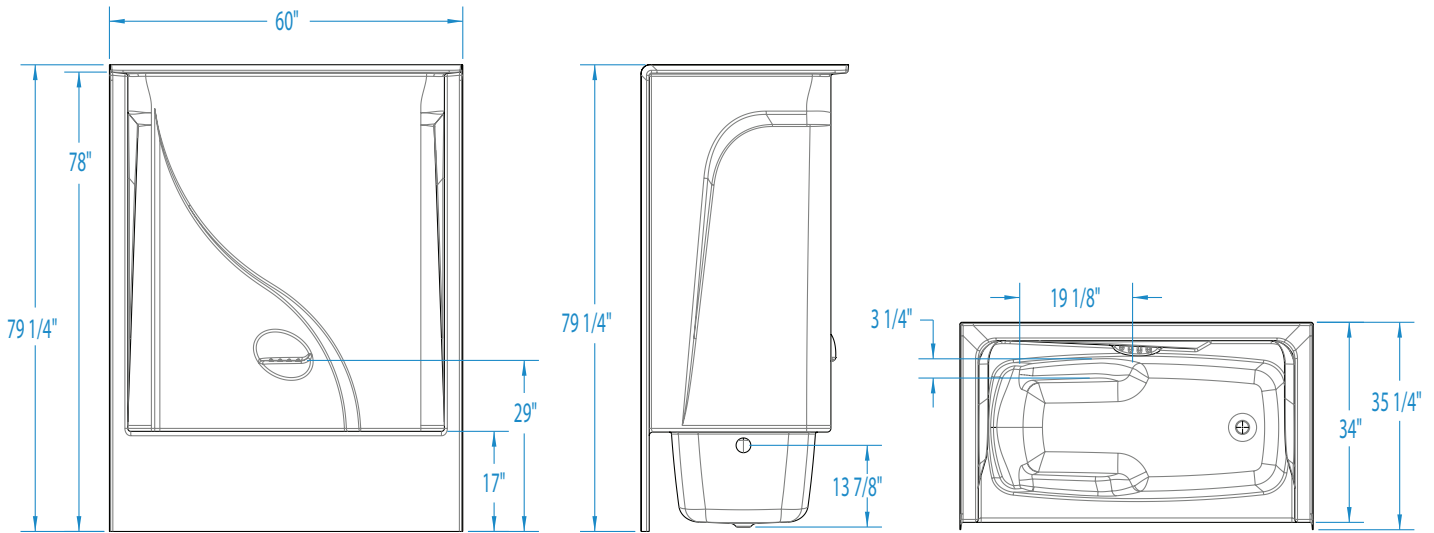
## COLOR & TRIM OPTIONS

| Stock           | Premium      |
|-----------------|--------------|
| Almond          | Black        |
| Bone            | Cashmere     |
| Linen/Biscuit   | Mexican Sand |
| Sterling Silver | Red          |
| White           | Sandbar      |



# CAE260

60 x 34 x 78 (1525 x 865 x 1980)  
inches (mm)



**FEATURES** lbs (kg) Dimensional Tolerance  $\pm 3/8"$ . Dimensions needed for site preparation should be measured from the unit. Aquatic assumes no responsibility for preparatory work.

| Type and Model #  | Material | Wall Finish | Pieces | Drain    | Seats | Lights | Pkg. Wt. |
|-------------------|----------|-------------|--------|----------|-------|--------|----------|
| Shower #CAE260L/R | Acrylic  | Smooth Wall | 1      | LH or RH | -     | -      | 161 (73) |

## DIMENSIONS

| Specifications                  | inches (mm)               |
|---------------------------------|---------------------------|
| Width: Overall / Net            | 60 (1525) /               |
| Depth: Overall / Net            | 35 1/4 (895) / 34 (865)   |
| Height: Overall / Net           | 79 1/4 (2015) / 78 (1980) |
| Enclosure Opening               | 53 3/4 (1365)             |
| Skirt Height                    | 17 (430)                  |
| Drain Rough-In (from Back Wall) | 17 7/8 (455)              |
| Drain Rough-In (from Side Wall) | 3 1/4 (80)                |
| Drain: Diameter / Clearance     | 2 (50) / 3/4 (20)         |

## FRAMING DIMENSIONS inches (mm)

| Type   | D<br>Depth | W<br>Width    | H<br>Height | A<br>Box-Out       | B          | C            |
|--------|------------|---------------|-------------|--------------------|------------|--------------|
| Alcove | 34 (865)   | 60 1/8 (1525) | -           | 6 x 12 (150 x 305) | 3 1/4 (80) | 17 7/8 (455) |

