

# F1604P – ACCESSIBLE SHOWERS

inches (mm)

Interior: 60 x 34 x 75 ½ (1525 x 865 x 1920)

Exterior: 63 ¾ x 37 ⅛ x 78 ¼ (1620 x 945 x 1990)

Fax on Demand #1157

The F1604P roll-in shower features innovative installation design, including an engineered leveled base and improved front threshold. A true time and money saver, our pre-leveled base lets you install directly on a **level** floor. And its front threshold is engineered to keep a constant level without the use of brackets during installation.



## FEATURES

- Pre-leveled base
- Gelcoat surface
- 1" (25 mm) skirt
- ½" (15 mm) beveled threshold
- Barrier free when properly installed
- 4-pc
- Diagonal tile design
- Center drain
- 5-year limited warranty

## OPTIONS

- Grab bars
- Fold-up seat
- Hand-held shower assembly with slide bar
- Pressure balancing mixing valve
- Soap dish
- Curtain rod and/or shower curtain

## AQUATIC ADVANTAGE

- National distribution
- 5 manufacturing facilities
- Private fleet
- Centralized customer service
- Field support
- 24-hour fax-on-demand

## COLOR & TRIM OPTIONS

Stock	Premium
Almond	Black
Biscuit	Mexican Sand
Bone	Sandbar
Linen	
Sterling Silver	
White	

\*\*Additional custom colors available.  
(Contact Customer Service)

## CODE COMPLIANCE

- ADA
- FHA
- ICC/ANSI A117.1
- ANSI Z124.1.2
- HUD UM73a
- CAN/CSA-B651-04
- CAN/CSA-B45-02

\*\*Code compliant when fully equipped and installed according to guidelines.



Aquatic products may be specified as Lasco Bathware.

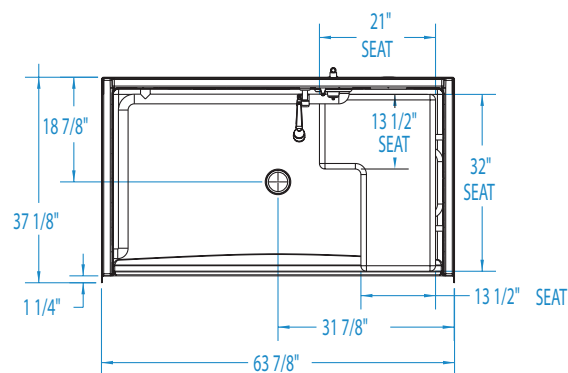
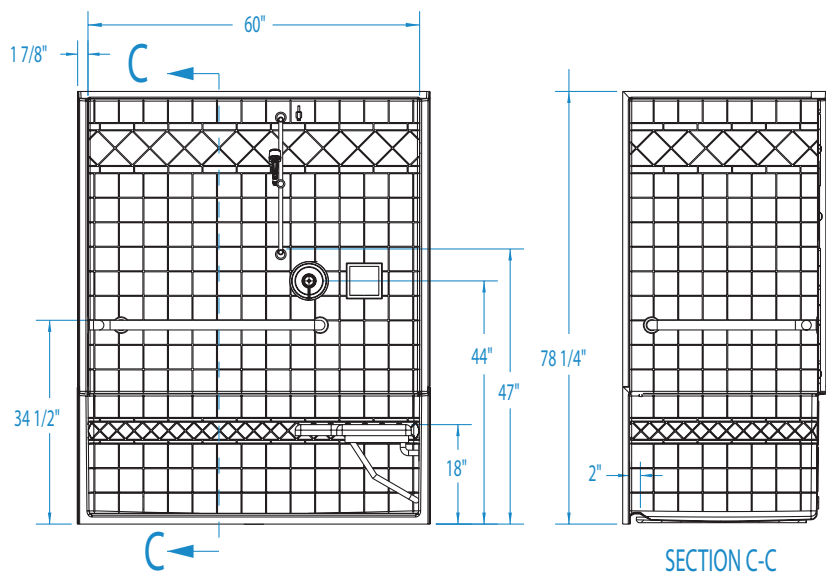


# F1604P

Interior: 60 x 34 x 75 1/2 (1525 x 865 x 1920)  
 Exterior: 63 3/4 x 37 1/8 x 78 1/4 (1620 x 945 x 1990)  
 inches (mm)



ADA/ANSI compliant when fully equipped and installed according to guidelines.



**FEATURES** lbs (kg) Dimensional Tolerance ± 3/8". Dimensions needed for site preparation should be measured from the unit. Aquatic assumes no responsibility for preparatory work.

Type and Model #	Material	Wall Finish	Pieces	Drain	Dam/Skirt Height	Net Wt.	Pkg. Wt.
Shower #F1604P	Gelcoat	Smooth tile	4	Center	1" (25mm) skirt, 1/2" (15mm) threshold	174 (80)	184 (85)

## DIMENSIONS

Specifications	inches (mm)
Width: Overall / Net	63 3/4 (1620) / 60 (1525)
Depth: Overall / Net	37 1/8 (945) / 34 (865)
Height: Overall / Net	78 1/4 (1990) / 75 1/2 (1920)
Enclosure Opening:	60 (1525)
Skirt Height:	1 (25)
Drain Rough-In (from Back Wall)	18 7/8 (945)
Drain Rough-In (from Side Wall)	31 7/8 (810)

## FRAMING DIMENSIONS inches (mm)

Type	D Depth	W Width	H Height	A	B	C
Alcove	37 1/8 (945)	63 7/8 (1620)	-	Box Out	31 7/8 (810)	18 7/8 (945)

