

STARLA – BUILDERS' CHOICE

inches (mm)

57 x 38 x 24 (1451 x 965 x 610) • Fax on Demand #9022

SOAKER MODEL #8460600

WHIRLPOOL MODEL #8460601



AQUATIC ADVANTAGE

- National distribution
- 5 manufacturing facilities
- Private fleet
- Centralized customer service
- Field support
- 24-hour fax-on-demand

COLOR & TRIM OPTIONS

Stock

Almond (C)
Bone (C)
Linen/Biscuit (C)
Sterling Silver (C)
White (C)

C = Color Matched Trim

FEATURES

- 8 hydrotherapy jets
- .75 hp pump
- Advanced safety suction system
- Bath-side on/off button
- Sculpted armrests
- Slip-resistant floor
- Universal drain
- Lucite cast acrylic surface
- Limited 10-year warranty

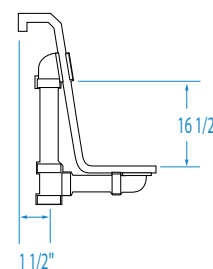
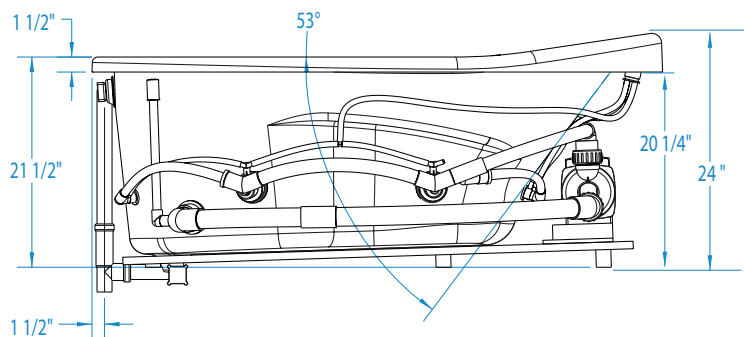
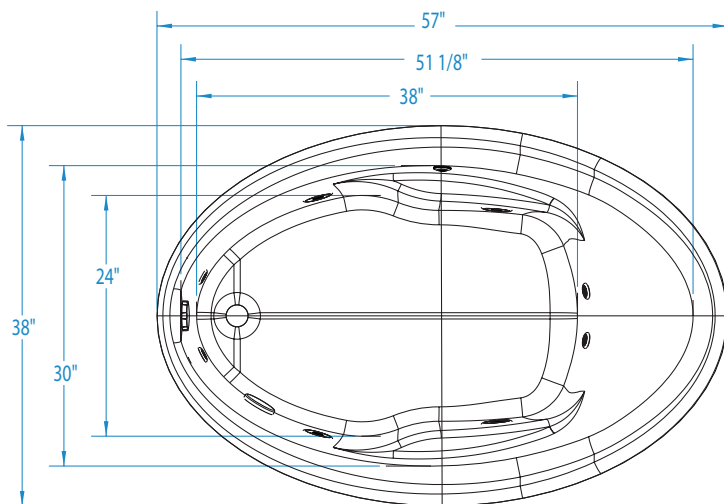
OPTIONS

- Comfort pillow:
Biscuit, Black, White
- 1.5kW inline maintenance heater
- Cable drive waste & overflow:
Chrome, Oil Rubbed Bronze,
Polished Brass, Brushed Nickel,
Color Matched (Biscuit,
Bone, White)
- Lift & turn waste & overflow:
Chrome, Oil Rubbed Bronze,
Polished Brass, Brushed Nickel



STARLA

57 x 38 x 24 (1451 x 965 x 610)
inches (mm)



FEATURES lbs (kg) Dimensional Tolerance ± 3/8". Dimensions needed for site preparation should be measured from the unit. Aquatic assumes no responsibility for preparatory work.

Type and Model #	Material	Jets	Pump	Heater	Controls	Drain	Pkg. Wt.
Soaker #8460600	Acrylic	0	-	-	-	Universal	101 (46)
Whirlpool #8460601	Acrylic	8	0.75 HP	1.5kW inline (optional)	Pneumatic	Universal	145 (66)

DIMENSIONS inches (mm)

Width Overall / Net	Depth Overall / Net	Height Overall / Net	Skirt Height
57 (1450)	38 (965)	24 (610) / 20 1/4 (515)	-

SUMP DATA inches (mm)

Capacity to Overflow gal (ltr)	Min. Operating Capacity gal (ltr)	WIDTH @ centerline		DEPTH @ centerline	
		Top	Bottom	Top	Bottom
52 (197)	26 (98)	51 1/8 (1300)	38 (965)	30 (760)	24 (610)

PLUMBING DIMENSIONS inches (mm)

Drain to Overflow	Drain Diameter / Clearance
16 1/2 (420)	2 (50) / 1 1/2 (40)

ELECTRICAL DATA

Component	Specification	Requirement
Pump	.75 HP; 5 AMP; 120 V	115 AMP 120V Dedicated Circuit Class A GFCI

NOTES:

1) Where applicable, utilize cut-out templates packed with unit for deck cutouts.

2) 16 x 20 (405 x 510) minimum access required at pump/blower location(s).