

# 6042OVALWP – EVERYDAY BATHS

inches (mm)

60 x 42 x 20 7/8 (1525 x 1070 x 530) • Fax on Demand #5140

SOAKER MODEL #6042OVAL

WHIRLPOOL MODEL #6042OVALWP



## FEATURES

- Island bath
- Deep bathing well
- Ergonomic backrest
- Slip-resistant textured bottom
- Universal drain
- Gelcoat surface
- 5-year limited warranty

### Whirlpool Features:

- .75hp motor
- 4 adjust-a-flow whirlpool jets
- Color matched or clear trim
- Pneumatic on/off control
- Advanced safety suction system

## OPTIONS

- In-line heater (whirlpool models)
- Mood light (whirlpool models)
- Designer drain, waste & overflow

## AQUATIC ADVANTAGE

- National distribution
- 5 manufacturing facilities
- Private fleet
- Centralized customer service
- Field support
- 24-hour fax-on-demand

## COLOR & TRIM OPTIONS

Stock	Premium
Almond (C)	Black (C)
Biscuit (C)	Mexican Sand* (NA)
Bone (C)	Sand Bar* (NA)
Linen (C)	
Sterling Silver (C)	
White (C)	

C = color matched trim

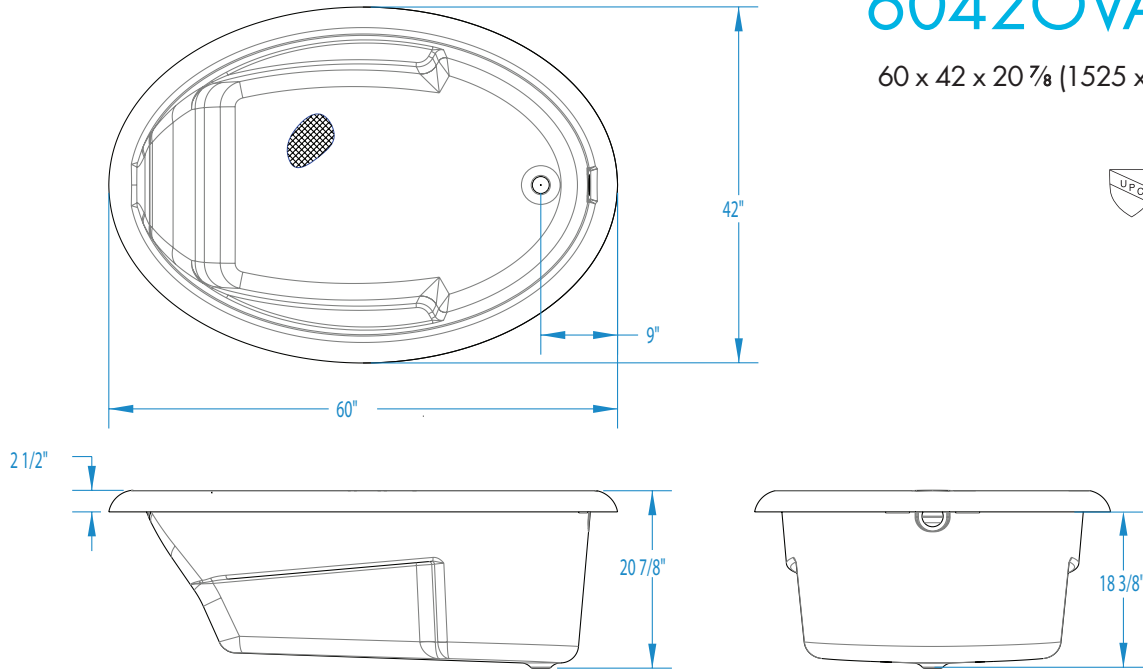
NA = not applicable

\* color not available for whirlpool models



# 6042OVALWP

60 x 42 x 20 7/8 (1525 x 1070 x 530)  
inches (mm)



**FEATURES** lbs (kg)      Dimensional Tolerance  $\pm \frac{3}{16}$ ". Dimensions needed for site preparation should be measured from the unit. Aquatic assumes no responsibility for preparatory work.

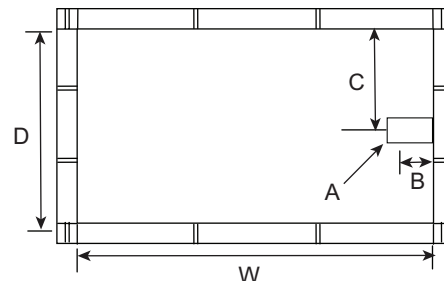
Model #	Material	Jets	Motor	Controls	Drain	Net Wt.	Pkg. Wt.
Soaker #6042OVAL	Gelcoat	0	-	-	Universal	64 (29)	69 (31)
Whirlpool #6042OVALWP	Gelcoat	4	0.75 HP	Pneumatic	Universal	124 (56)	129 (59)

## DIMENSIONS

Specifications	inches (mm)
Width: Overall / Net	60 (1525)
Depth: Overall / Net	42 (1070) / 42 (1070)
Height: Overall / Net	20 7/8 (530)
Enclosure Opening	-
Skirt Height	
Drain Rough-In (from Back Wall)	21 (535)
Drain Rough-In (from Side Wall)	2 1/2 (65)
Drain: Diameter / Clearance	2 (50)

## FRAMING DIMENSIONS inches (mm)

Type	D Depth	W Width	H Height	A	B	C
Island (Drop-In)	40 (1015)	58 (1475)	18 3/8 (470)	Box Out	2 1/2 (65)	21 (535)



## SUMP DATA

Top of Drain to Bottom of Overflow	Capacity to Overflow gal (ltr)	Min. Operating Capacity gal (ltr)	WIDTH @ centerline		DEPTH @ centerline	
			Top	Bottom	Top	Bottom
16 (405)	60 (227)	55 (208)	53 1/2 (1360)	42 1/8 (1070)	35 3/8 (905)	27 (685)