

# 2603OCS – EVERYDAY TUB/SHOWERS

inches (mm)

60 x 36 x 72 (1525 x 915 x 1830) • Fax on Demand #1072



## FEATURES

- Tub-shower
- Textured tile finish
- Ergonomic backrest
- Oval bathing well
- Installed acrylic grab bar
- Molded toiletry shelves
- Slip-resistant textured bottom
- Left or right hand drain
- Gelcoat surface
- 5-year limited warranty

## OPTIONS

- Grab bar reinforcement
- Factory installed assisted care grab bars
- Designer drain, waste & overflow
- Shower Door Series L0516

## AQUATIC ADVANTAGE

- National distribution
- 5 manufacturing facilities
- Private fleet
- Centralized customer service
- Field support
- 24-hour fax-on-demand

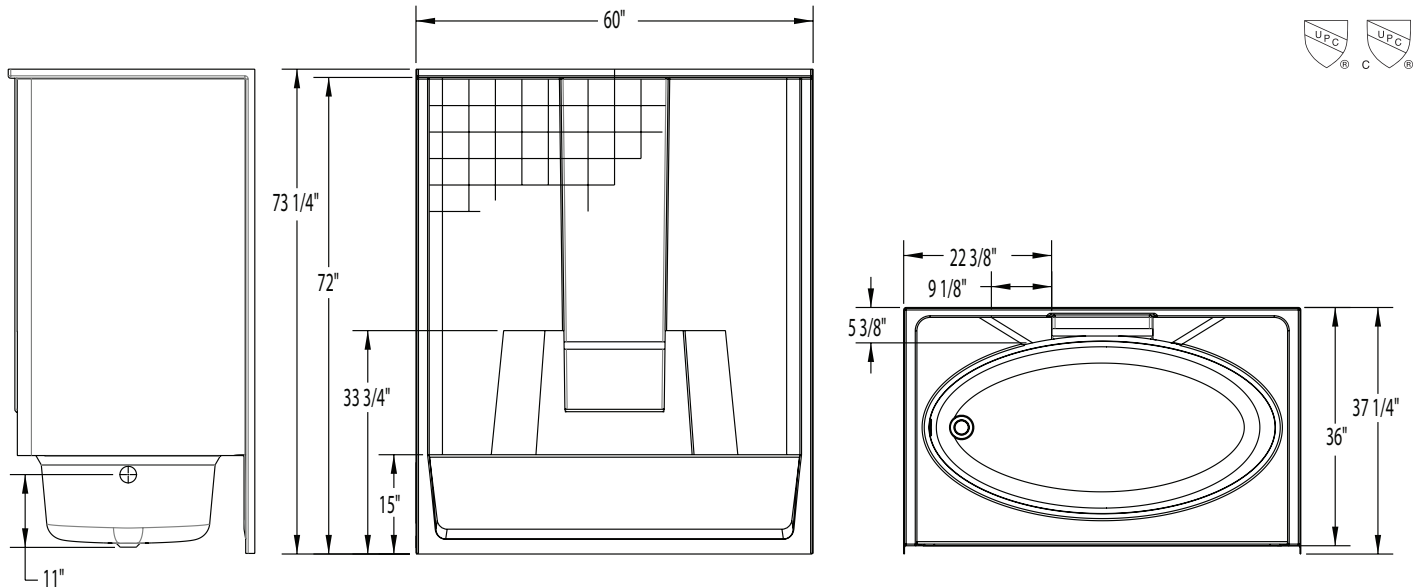
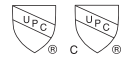
## COLOR & TRIM OPTIONS

Stock	Premium
Almond	Black
Biscuit	Mexican Sand
Bone	Sand Bar
Linen	
Sterling Silver	
White	



# 2603OCS

60 x 36 x 72 (1525 x 915 x 1830)  
inches (mm)



**FEATURES** lbs (kg) Dimensional Tolerance  $\pm \frac{3}{16}$ ". Dimensions needed for site preparation should be measured from the unit. Aquatic assumes no responsibility for preparatory work.

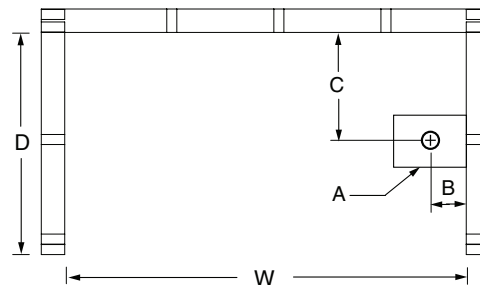
Model #	Material	Wall Finish	Jets	Motor	Controls	Drain	Net Wt.	Pkg. Wt.
Tub-Shower #2603OCS	Gelcoat	Textured Tile	-	-	-	LH or RH	134 (61)	139 (63)

## DIMENSIONS

Specifications	inches (mm)
Width: Overall / Net	60 (1525)
Depth: Overall / Net	37 1/4 (945) / 36 (915)
Height: Overall / Net	73 1/4 (1860) / 72 (1830)
Enclosure Opening	56 (1420)
Skirt Height	15 (380)
Drain Rough-In (from Back Wall)	18 1/8 (460)
Drain Rough-In (from Side Wall)	2 3/4 (70)
Drain: Diameter / Clearance	2 (50) / 1 (25)

## FRAMING DIMENSIONS inches (mm)

Type	D Depth	W Width	H Height	A	B	C
Alcove	37 1/4 (945)	60 1/8 (1525)	-	Box Out	2 3/4 (70)	18 1/8 (460)



## SUMP DATA

Top of Drain to Bottom of Overflow	Capacity to Overflow gal (ltr)	Min. Operating Capacity gal (ltr)	WIDTH @ centerline		DEPTH @ centerline	
			Top	Bottom	Top	Bottom
9 1/8 (230)	58 (220)	-	52 (1320)	48 1/2 (1230)	28 (710)	25 1/2 (650)