

# SERENITY 4 – SERENITY SERIES

inches (mm)

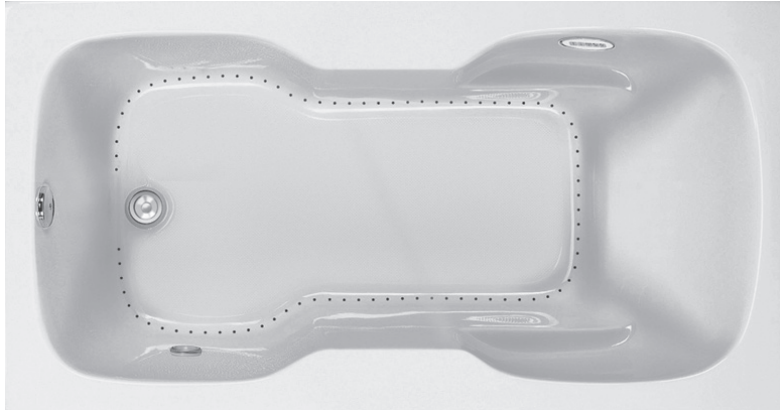
59 ½ x 32 x 23 (1510 x 815 x 585) • Fax on Demand #1259

SOAKER MODEL #A14AIR6032TO

AIR BATH MODEL #A14AIR6032

HOTSOAK MODEL #A14AIR6032HS

DRIFTBATH MODEL #A14AIR6032DB



## FEATURES (ALL MODELS)

- Deep bathing well
- Slip-resistant floor
- Pre-leveled ABS support base
- Universal drain
- Lucite cast acrylic surface
- Limited lifetime warranty

## OPTIONS

- Comfort pillow: Biscuit, Black, White
- Bolt-on grab bar(s):  
Chrome, Oil-Rubbed Bronze,  
Polished Brass, Brushed Nickel,  
Color Matched (Biscuit, White)
- Cable drive waste & overflow:  
Chrome, Oil Rubbed Bronze,  
Polished Brass, Brushed Nickel,  
Color Matched (Biscuit, Bone, White)
- Factory installed rigid ABS  
tile flange
- Acrylic skirt: Color Matched
- Remote control kit
- Remote blower wiring kit
- 1" Low Profile Deck (Skirt option not  
available with Low Profile Deck)

## AQUATIC ADVANTAGE

- National distribution
- 5 manufacturing facilities
- Private fleet
- Centralized customer service
- Field support
- 24-hour fax-on-demand

## COLOR & TRIM OPTIONS

Stock	Premium
Almond	Black
Bone	Cashmere
Linen/Biscuit	Mexican Sand
Sterling Silver	Red
White	Sandbar

## AVAILABLE SYSTEMS

### AIR BATH

- Variable speed blower with 20-minute timer
- Air heating system
- Electronic controls with wave and pulse features
- Air channels lined with antimicrobial coating
- Automatic purge and dry cycle with water sensors
- LED chromatherapy lights (4)

### HOTSOAK

- 1.5kW inline maintenance heater
- Quiet, run-dry safe pump
- Low-profile circulation portals
- One-touch electronic on/off control
- Quiet pad anti-vibration pump mount

### DRIFTBATH

- Quiet, self-heating integrated pump/motor unit
- Dozens of low-profile, water-only portals
- Electronic control with 20-minute timer
- High-intensity LED chromatherapy lights (4)
- Advanced Safety Suction System

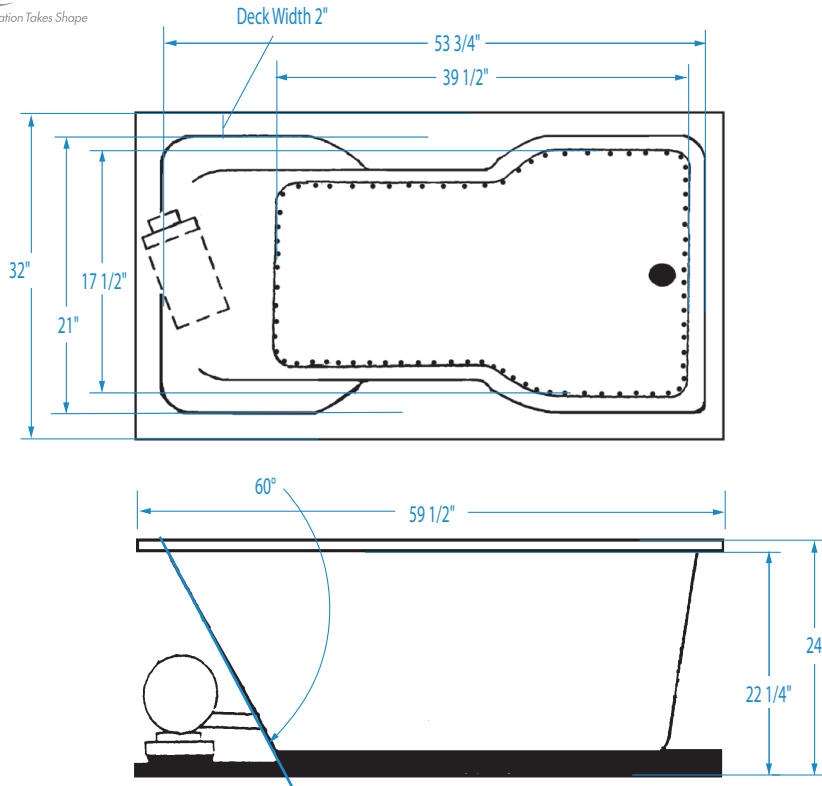


# SERENITY 4

59 1/2 x 32 x 23 (1510 x 815 x 585)  
inches (mm)



Note: Serenity tub only models feature a Pre-leveled ABS Support Base.



**FEATURES** lbs (kg) Dimensional Tolerance ± 3/8". Dimensions needed for site preparation should be measured from the unit. Aquatic assumes no responsibility for preparatory work.

Type and Model #	Material	System	Powered By	Heater	Controls	Drain	Pkg. Wt.
Soaker #A14AIR6032TO	Acrylic	-	-	-	-	Universal	179 (81)
HotSoak #A14AIR6032HS	Acrylic	Water circulation	Pump	1.5 kW Inline maintenance	Electronic on/off	Universal	209 (95)
Air Bath #A14AIR6032	Acrylic	Air Bath	Variable speed blower	Integrated	Electronic variable	Universal	209 (95)
DriftBath #A14AIR6032DB	Acrylic	Water circulation	Pump	Integrated	Electronic on/off	Universal	220 (100)

## DIMENSIONS inches (mm)

Width Overall / Net	Depth Overall / Net	Height Overall / Net	Skirt Height
59 1/2 (1510)	32 (815)	24 (610)	-

## SUMP DATA inches (mm)

Capacity to Overflow gal (ltr)	Min. Operating Capacity gal (ltr)	WIDTH @ centerline		DEPTH @ centerline	
		Top	Bottom	Top	Bottom
65 (246)	-	53 3/4 (1365)	39 1/2 (1005)	21 (535)	17 1/2 (445)

## PLUMBING DIMENSIONS inches (mm)

A	B	Drain Diameter / Clearance
2 (50)	10 1/4 (260)	

### NOTES:

- Where applicable, utilize cut-out templates packed with unit for deck cutouts.
- 16 x 20 (405 x 510) minimum access required at pump/blower location(s).
- For Low Profile Deck, framing height will need to be increased by an additional 1".

## ELECTRICAL DATA

Component	Specification	Requirement
Blower/Heater (Air Bath)	10.5 AMP; 120 V	15 AMP; 120V, separate circuit; Class A GFCI
Pump (HotSoak)	1/15 HP; 1.3 AMP; 110 V	20 AMP; 110 V, separate circuit; Class A GFCI
Heater (HotSoak)	1.5 kW; 12.5 AMP; 110 V	
Pump (DriftBath)	3/4 HP; 8.8 AMP; 110 V	15 AMP; 120V, separate circuit; Class A GFCI

Each Serenity air bath is equipped with an air heating system to raise the temperature of the air entering the bath. This air temperature will be lower than the bathing temperature of the water, but will help reduce rapid decrease in water temperature. In addition, the air coming from the air jets will feel cool against the skin. This system does not heat the water.