

Aquatic products may be specified as Lasco Bathware.

**ADA/ANSI COMPLIANT BARRIER-FREE SHOWER STALLS:**

For roll-in showers with a flat threshold, build up or recess the bathroom floor  $\frac{3}{4}$ " less the thickness of the finished floor. For beveled thresholds, build up or recess the bathroom floor  $\frac{3}{4}$ " less the thickness of the finished floor, ensuring that the finished floor meets the base of the bevel at the threshold.

It is recommended that the bathroom floor outside ADA clear floor space be designed with a floor drain to alleviate any water over spray that may escape shower stall.

ADA Code from the Federal Register – Department of Justice 28CFR Part 36 section 4.21.7, July 1, 1994 Rules & Regulations. Excerpt from Paragraph 4.21.7 Curbs "Shower stalls that are 30" x 60" minimum shall not have curbs."

ADA Code from the Federal Register – Federal Access Board, July 24, 2004. Paragraph 608.7 Thresholds. Thresholds in roll-in type shower compartments shall be  $\frac{1}{2}$  inch (13 mm) high maximum in accordance with 303. In transfer type shower compartments, thresholds  $\frac{1}{2}$  inch (13 mm) high maximum shall be beveled, rounded, or vertical.

**EXCEPTION:** A threshold 2 inches (51 mm) high maximum shall be permitted in transfer type shower compartments in pre-existing facilities where provision of a  $\frac{1}{2}$  inch (13 mm) high threshold would disturb the structural reinforcement of the floor slab.

**A. Pre-Installation Planning**

- Unit must be placed within bathroom area before completion of door framing or, if preferred, studs may be omitted or knocked-out to permit unit placement.
- Review job print and Aquatic rough-in dimensions; verify all key dimensions against actual job conditions.
- Make sure framed-in alcove is of proper size, square and plumb; check floor for levelness.
- If fire-rated alcove is required, approved finish material must be in place prior to unit installation to meet fire safety requirements of local building code and/or FHA/HUD Minimum Property Standards. **NOTE: Finished alcove must have interior dimensions shown on rough-in diagram to permit installation of unit.**
- Foundation materials [industrial plaster, mortar mix, lightweight grout] are mandatory under the bottom of each unit to solidify for wheelchair support.
- Provide 6" (150mm) floor opening for 2" (50mm) IPS and drain connection. [Fig. 2]
- To avoid obstruction, make sure that supply lines and valve plumbing are not strapped to studs and do not project into alcove. Also, drain pipe must not project above floor level prior to installation.
- On inside of plumbing wet wall of unit, note location of supply elbow and mixer valve.
- To prevent scuffing while installing unit, cover the entire bottom of the unit with a piece of cardboard or other protective material.
- Fasten drain fitting to unit before installing** [see manufacturer's instructions]. Fasteners for wood framing— $1\frac{1}{2}$ " galvanized roofing nails or #10 x  $1\frac{1}{2}$ " self-tapping washer head screws; for concrete or block walls—1" concrete nails and nailing tool; for steel studs (18 ga.)—drill flanges and studs with  $\frac{3}{32}$ " carbide bit and use #12 x 1" sheet metal screws.

**Barrier-Free Gelcoat Showers**

1363BFS, 1363BFSMA, 1363BFSC, 1363BFSCST, 1363BFSCSTMA, 1423BFS, 1423CBFS, 1603BFST, 1603BFSTTX, 1603BFSTMA, 1603BFSTX, 1603BFSMA, 1603CFS, 1603BFSC, 1623BFST, 1623BFSTTX, 1623BFSTMA, 1603BFSD, 1623BFSD, 1623BFSTD

**Barrier-Free Gelcoat Sectional Showers**

1363BFC2P, 1363BFC2PMA

**B. Installation Procedure**

One-piece units [Fig. 3]

- Before placing unit in framed alcove, spread a bed of foundation materials around drain, extended to perimeter of shower floor.
- Lift and place unit directly on top of foundation material with drain fitting over and onto waste pipe with threshold firmly on the floor (assure waste pipe protrudes well into drain fitting). Maintain proper floor slope towards drain.
- Using 3 ft (915mm) level, check top of both side-walls and threshold and spot nail each upper front corner to secure unit until foundation material has set. Apply weight on top of drain and threshold center until set. [Fig. 3]
- (a) Fasten lower corners of vertical side nailing flanges; (b) fasten upper corners; work toward back from each front corner, fastening at each stud through horizontal flange, finishing at rear center; (c) complete fastening along vertical side flanges, 8" (205mm) o.c. Pre-drill all nailing flanges.

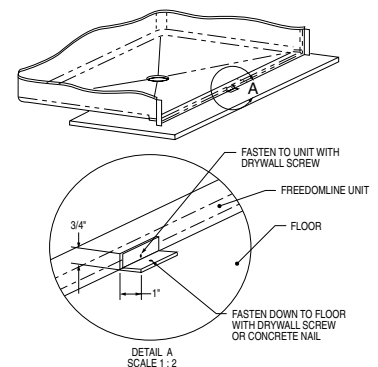
**Threshold Center Hold-Down**

For Models: 1363BFSC, 1363BFST, 1363BFC2P, 1423CBFS, 1603BFST, 1603BFSC

**Fig. 1a**

**Concrete floor installation:**

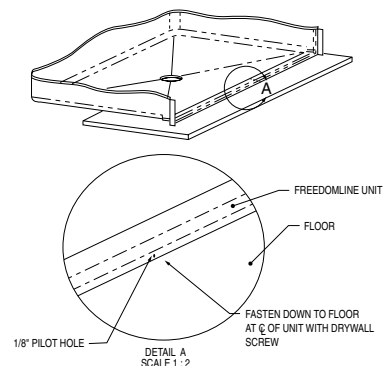
Use 90° angle bracket, approximately  $\frac{1}{2}$ " x  $\frac{1}{2}$ " x  $1\frac{1}{2}$ " in size with pre-drilled holes [available at hardware centers] to hold down the center of threshold to prevent moving during installation.



**Fig. 1b**

**Wood floor installation:**

Drill  $\frac{1}{8}$ " pilot hole and screw with drywall screw to hold down the center of threshold to prevent moving during installation.



[over please for  
Figures and Clean-up]

## C. Assembly/Installation

Sectional unit 1363BFC2P only [Fig. 4]

1. Disassemble unit as received into two separate sections [base and wall section]. [Fig. 4, C1]
2. Insert the three plastic fasteners [BathLocks] provided so they protrude upwards through each of the pre-drilled holes where the shipping bolts were as originally received. Use a hammer to tap in the fasteners. [Fig. 4, C2]
3.
  - a. Before placing unit in framed alcove, spread a bed of foundation material around drain extending to perimeter of shower floor [drain box-out should be back-filled with foundation material]. [Fig. 2]
  - b. Lift and place base directly on top of foundation material with drain fitting over and onto waste pipe with threshold firmly on the floor (assure waste pipe protrudes well into drain fitting).
  - c. Using 3 ft (915mm) level, check top of both side-walls and threshold and spot nail each upper front corner to secure unit until foundation material has set. Apply weight on top of drain and threshold center until set. [Fig. 3] [Caulk seam between threshold & sub-floor.]
4.
  - a. Pre-drill all nailing flanges along top of base section and fasten into each corresponding stud. [Fig. 4, C4]
  - b. Pre-drill both side nailing flanges and nail fasten to side studs 8" (205mm) on center. [Fig. 4, C5]
5. After silicone caulking all top base ledges, place wall section on top of base section and press down onto plastic fasteners [BathLocks] caulking until seams are closed. If seams don't close, shift studs which prohibit a proper fit. Tool and clean excess caulking per instructions on caulking tube. [Fig. 4, C6]
6.
  - a. Fasten all top nailing flanges of wall section as in step 4. [Fig. 4, C7]
  - b. Fasten both side nailing flanges of wall section as in step 5. [Fig. 4, C8]
7. Build-up or float sub-floor so that Finished Floor [sheet vinyl or tile] is at the same elevation as top of shower threshold to make unit barrier free. [Caulk seam between threshold and sub-floor.]

## D. All Units

1. Note fitting locations and make final connections of vacuum breaker and hose to supply elbow, and escutcheon plate and knob to mixer valve.  
**(NOTE: When caulking drain, protect Gelcoat surfaces with corrugated paper.)** Strap water lines, supply elbow and mixer valve to studs.
2. Furring strips ( $\frac{1}{8}$ " thick, as nailing flanges) are recommended for installation on studs above the installed Aquatic unit to assure walls will be flush. If backwall is sheetrock firewall not to be penetrated, and unit has backwall mixing valve, add 2" to dim. C [Table 1] for clearance. Then block and fir-out backwall at and above unit to allow more sheetrock to cover nailing flange.

## E. Clean-up

1. **Do not remove warranty/maintenance adhered label.** Leave on unit for owner/occupant per code requirement.
2. **Prevent staining.** Remove **all** debris before plumbing leak test. Use sponge with warm water and liquid detergent. Rinse, drain and wipe clean. Do not use abrasive cleansers such as scouring powders, steel wool, metal scrapers, sandpaper or anything else that might mar, dull or scratch the finish.
3. Plaster and latex paint may be removed with warm water, liquid detergent and brittle brush or plastic scraper. Glues, tars and enamels may be removed with acetone or paint thinner. **Do not use turpentine or laquer thinner. Do not use excessive heat or any caustic solvents or chemicals.**
4. Dull areas and light scratches may be removed by buffing with a light colored automotive rubbing compound and buffing pad. Entire unit can be waxed with light colored automotive wax. **Do not wax bottom of unit.**
5. See user maintenance label for more details.

## Alcove Framing and Installation

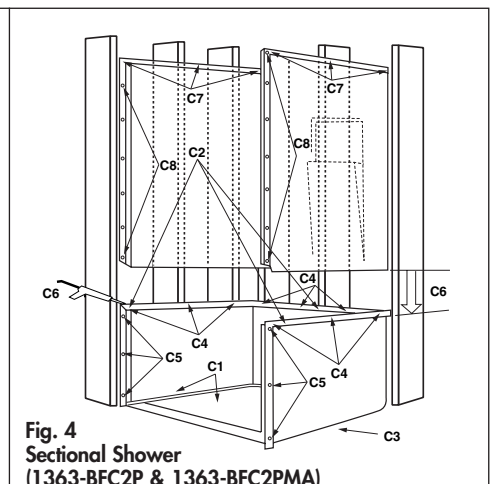
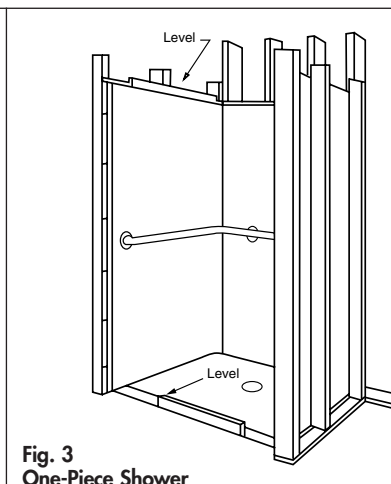
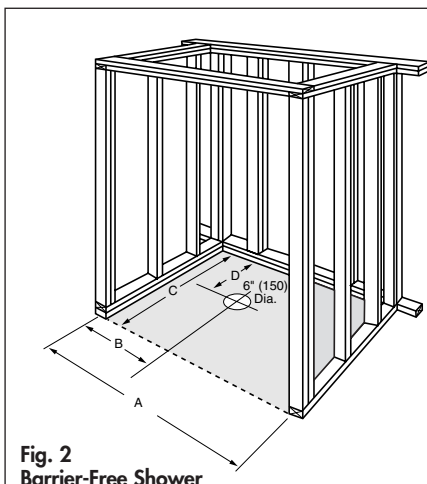


Table 1

WIDTH DIMENSIONAL TOLERANCE +0, -3/8" (±5mm)					
MODEL #	DIM. A	DIM. B	DIM. C	DIM. D	SKIRT HEIGHT
1363BFS / 1363BFSMA	38 1/8" (970mm)	19" (480mm)	38 1/4" (970mm)	19" (480mm)	1 3/4" (45mm)
1363BFSC / 1363BFSCST / 1363BFSCSTMA	38 1/8" (970mm)	19" (480mm)	38 1/4" (970mm)	19" (480mm)	3/4" (20mm)
1363BFC2P / 1363BFC2PMA	39 1/8" (995mm)	19 1/2" (495mm)	38 3/4" (985mm)	19 1/2" (495mm)	3/4" (20mm)
1423BFS	45 3/4" (1160mm)	22 1/8" (580mm)	51 1/8" (1305mm)	11 1/4" (285mm)	2" (50mm)
1423CBFS	45 1/8" (1145mm)	22 1/2" (570mm)	50 3/4" (1290mm)	7 1/2" (190mm)	3/4" (20mm)
1483TSC* *	48 1/8" (1220mm)	24" (610mm)	35" (890mm)	17" (430mm)	2 1/2" (65mm)
1483TSTH* *	48 1/8" (1220mm)	24" (610mm)	36 1/4" (920mm)	16" (405mm)	2 1/2" (65mm)
1603TSCB* *	60 1/8" (1525mm)	30" (760mm)	35" (890mm)	17" (430mm)	4" (100mm)
1603BFST / 1603BFSTTX / 1603BFSTMA	62 1/8" (1580mm)	31" (790mm)	36 1/4" (920mm)	17 1/2" (445mm)	3/4" (20mm)
1603BFSTX / 1603BFSMA	62 1/8" (1580mm)	31" (790mm)	36 1/4" (920mm)	7" (180mm)	1" (25mm)
1603CFS	62 1/8" (1580mm)	31" (790mm)	36 1/4" (920mm)	17 1/2" (445mm)	1 3/4" (45mm)
1603BFSC/1603BFSD	62 1/8" (1580mm)	31" (790mm)	36 1/4" (920mm)	17 1/2" (445mm)	3/4" (20mm)
1623BFST / 1623BFSTTX / 1623BFSTMA / 1623BFSD / 1623BFSTD	62 1/8" (1580mm)	31" (790mm)	32 1/4" (820mm)	15 1/2" (395mm)	3/4" (20mm)

\*UNITS THAT ARE NOT BARRIER-FREE.

**NOTE:** IF BACK WALL IS SHEET ROCK FIRE WALL AND UNIT HAS BACK WALL MIXING VALVE, ADD 2" TO DIMENSION "C" FOR CLEARANCE.

## Optional Removable Wheelchair Ramp

[Available on 1423BFS only]

Be sure attachment clips are installed on unit using (#10x1") sheet metal screws and simply set removable ramp in place. See Fig. 5.

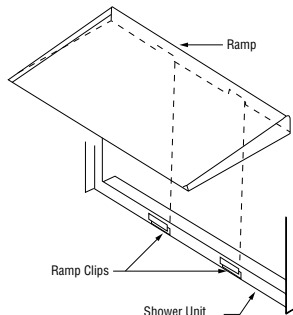


Fig. 5  
Optional Removable Wheelchair Ramp  
(1423-BFR)

## Vinyl Flexible Dam

Fits all barrier-free showers

(See Fig. 6)

### Installation

1. Make sure the vinyl flexible dam is of proper length by measuring right to left, in between shower walls.
2. Round all four bottom corners to approximately a 3/8" radius with a sander or utility knife to fit.
3. Before installing, clean the top of shower threshold with lacquer thinner or rubbing alcohol until surface is clean.
4. Beginning from one end, place the vinyl dam on top of the shower threshold, peel away adhesive and press down towards other end.
5. Silicone both inside and outside the entire length of the vinyl dam with clear or white sealant.

### Maintenance

Clean with mild detergent and warm water or any non-abrasive, non-petroleum based cleaner. Use of harsh chemicals, petroleum based or abrasive cleaners will damage product.

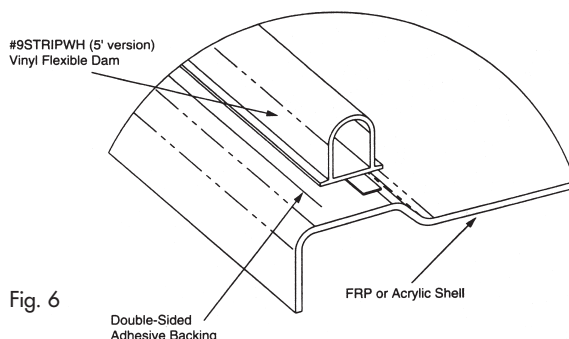


Fig. 6

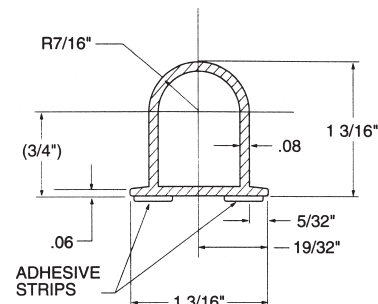


Fig. 7

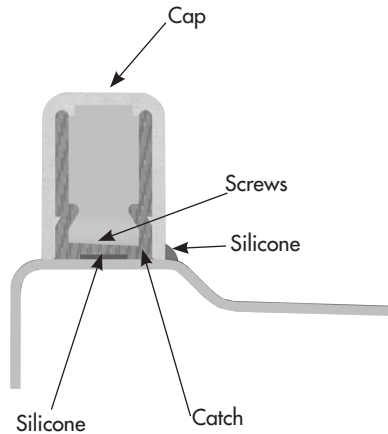
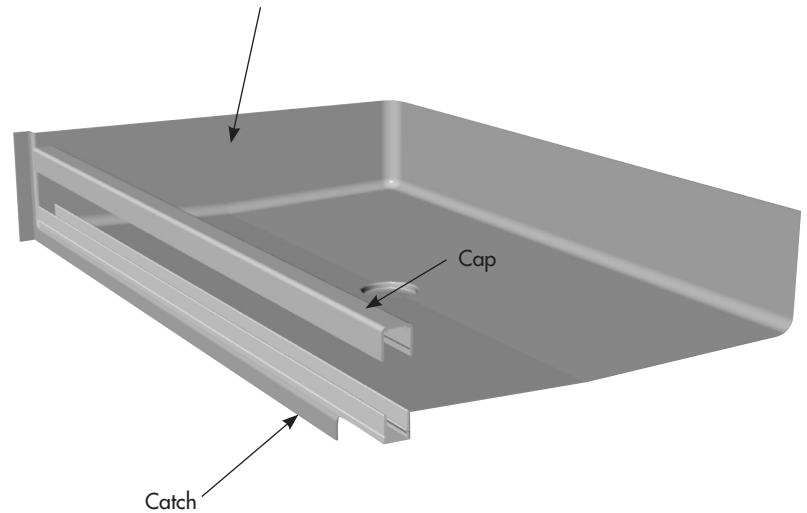


Fig. 8



## Optional Removable Threshold [Model #: 9 Threshold]

Fits all barrier-free showers and helps better retain water in showers with "NO" interior curb. Please check with your local Building Code Authority for final code approval.

### Installation

1. Make sure threshold is of proper length by measuring right to left, in between columns.
2. Round all four bottom corners on both cap and catch to approx.  $\frac{3}{8}$ " radius with sander or file to fit.
3. Place catch on top of shower threshold and drill three pilot holes for #8 or #10 self-tapping screws.
4. Clean bottom of catch; then apply  $\frac{1}{4}$ " bead of silicone sealant to bottom of catch reveal.
5. Replace catch on top of threshold, line up pilot holes and screw down.
6. Snap cap over catch and silicone both inside corner ends and entire inside length of threshold. Tool silicone with finger and wet rag.

### Maintenance

Clean with mild detergent and warm water or any non-abrasive, non-petroleum based cleaner. Use of harsh chemicals, petroleum based or abrasive cleaners will damage product and may void warranty.

### Warranty

Aquatic Removable Threshold assembly has a limited lifetime warranty to the original homeowner against failure resulting from defects in its manufacture. The replacement of parts is limited to supplying parts and does not include any associated costs. Improper use of cleaning agents other than those suggested by the manufacturer will void this warranty. Aquatic Removable Threshold assembly for commercial use has a three year limited warranty. Please contact Aquatic for complete warranty information.

## Field Service/Repairs

West Central  
P.O. Box 310  
Moapa, NV 89025  
PH: 800-335-5151, 702-864-2100  
FAX: 800-799-2158

North East  
40 Industrial Road  
Conewago Industrial Park  
Elizabethtown, PA 17022  
PH: 800-444-0781  
FAX: 717-367-4722

Mid-Atlantic  
1100 Industrial Park Road  
South Boston, VA 24592  
PH: 800-444-0832  
FAX: 434-572-1794

South East  
210 S. Harris St.  
Cordele, GA 31015  
PH: 800-444-0926  
FAX: 229-273-6838

North Central  
888 W. Broadway  
Three Rivers, MI 49093  
PH: 800-444-1426  
FAX: 269-273-3053

South West/South Central  
151 Industrial St.  
Lancaster, TX 75134  
PH: 800-876-3044  
FAX: 972-227-0769

West  
3261 E. Miraloma Ave.  
Anaheim, CA 92806  
PH: 800-877-0464, 714-961-9735  
FAX: 800-328-6465

Rocky Mtn./North West  
801 Northern Pacific  
Yelm, WA 98597  
PH: 800-444-5126  
FAX: 360-458-3024

## Customer Service/ Sales Order

Customer Service/Sales Order  
Technical Services Department  
C/O Skymark Tower  
1521 No. Cooper, Ste. 500  
Arlington, TX 76011  
PH: 800-945-2726, 817-801-8300  
FAX: 866-544-5353