

GARDENIA III – EVERYDAY BATHS

inches (mm)

60 x 48 x 27 3/4 • (1525 x 1220 x 705) • Fax on Demand #5065

SOAKER MODEL #1160410

WHIRLPOOL MODEL #1160411



FEATURES

- Garden tub
- Integral tiling flange (3T)
- 6-1/4" wainscot
- Ergonomic backrest
- Integral skirt
- Slip-resistant textured bottom
- Center rear drain
- Gelcoat surface
- 5-year limited warranty

Whirlpool Features:

- .75hp motor
- 4 adjusta-flow whirlpool jets
- Color matched or clear trim
- Pneumatic on/off control
- Advanced safety suction system

OPTIONS

- In-line heater (whirlpool models)
- Mood light (whirlpool models)
- Designer drain, waste & overflow

AQUATIC ADVANTAGE

- National distribution
- 5 manufacturing facilities
- Private fleet
- Centralized customer service
- Field support
- 24-hour fax-on-demand

COLOR & TRIM OPTIONS

Stock	Premium
Almond (C)	Black (C)
Biscuit (C)	Mexican Sand* (NA)
Bone (C)	Sand Bar* (NA)
Linen (C)	
Sterling Silver (C)	
White (C)	

C = color matched trim

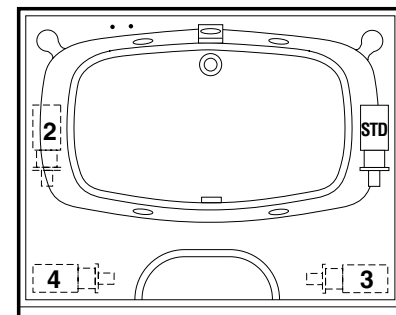
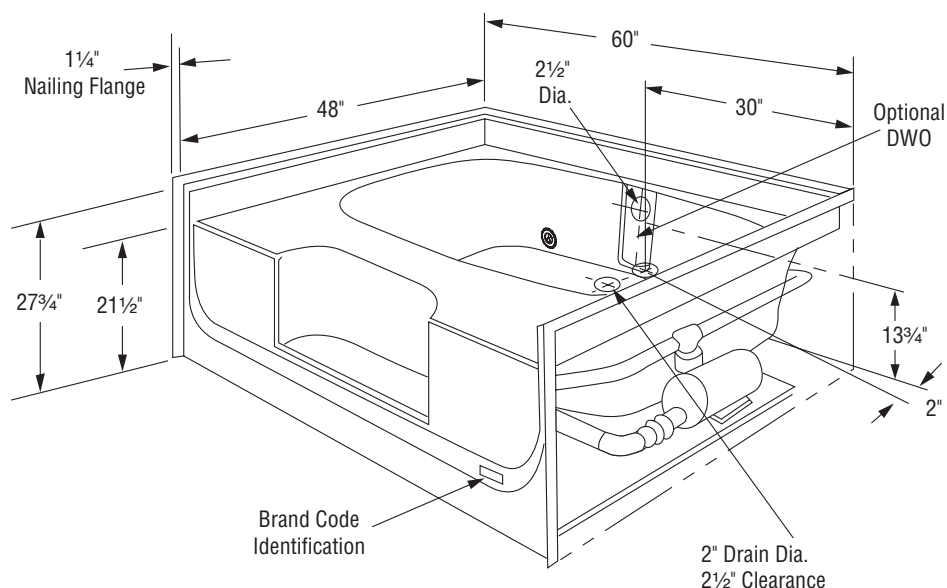
NA = not applicable

* color not available for whirlpool models



GARDENIA III

60 x 48 x 27 3/4 (1525 x 1220 x 705)
inches (mm)



FEATURES lbs (kg) Dimensional Tolerance $\pm \frac{3}{8}$ ". Dimensions needed for site preparation should be measured from the unit. Aquatic assumes no responsibility for preparatory work.

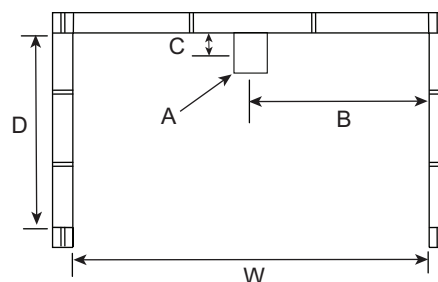
Model #	Material	Jets	Motor	Controls	Drain	Net Wt.	Pkg. Wt.
Soaker #1160410	Gelcoat	0	-	-	Center Rear	121 (55)	126 (57)
Whirlpool #1160411	Gelcoat	4	0.75 HP	Pneumatic	Center Rear	166 (75)	171 (78)

DIMENSIONS

Specifications	inches (mm)
Width: Overall / Net	60 (1525)
Depth: Overall / Net	49 1/4 (1250) / 48 (1220)
Height: Overall / Net	29 (735) / 27 3/4 (705)
Enclosure Opening	56 (1420)
Skirt Height	21 1/2 (545)
Drain Rough-In (from Back Wall)	30 (760)
Drain Rough-In (from Side Wall)	1 1/2 (40)
Drain: Diameter / Clearance	2 (50) / 2 1/2 (65)

FRAMING DIMENSIONS inches (mm)

Type	D Depth	W Width	H Height	A	B	C
Alcove	49 1/4 (1250)	60 1/8 (1525)	27 1/2 (700)	Box Out	30 (760)	1 1/2 (40)



SUMP DATA

Top of Drain to Bottom of Overflow	Capacity to Overflow gal (ltr)	Min. Operating Capacity gal (ltr)	WIDTH @ centerline		DEPTH @ centerline	
			Top	Bottom	Top	Bottom
13 3/4 (350)	67 (254)	50 (189)	53 (1345)	49 (1245)	34 (865)	26 (660)