

2603CT – EVERYDAY TUB/SHOWERS

inches (mm)

60 x 32 x 72 (1525 x 815 x 1830) • Fax on Demand #1066



FEATURES

- Tub-shower
- Smooth tile finish
- Ergonomic backrest
- Molded toiletry shelves
- Slip-resistant textured bottom
- Left or right hand drain
- Gelcoat surface
- 3-year limited warranty

OPTIONS

- Grab bar reinforcement
- Factory installed assisted care grab bars
- Designer drain, waste & overflow
- Shower Door Series L0516

AQUATIC ADVANTAGE

- National distribution
- 6 manufacturing facilities
- Private fleet
- Centralized customer service
- Field support
- 24-hour fax-on-demand

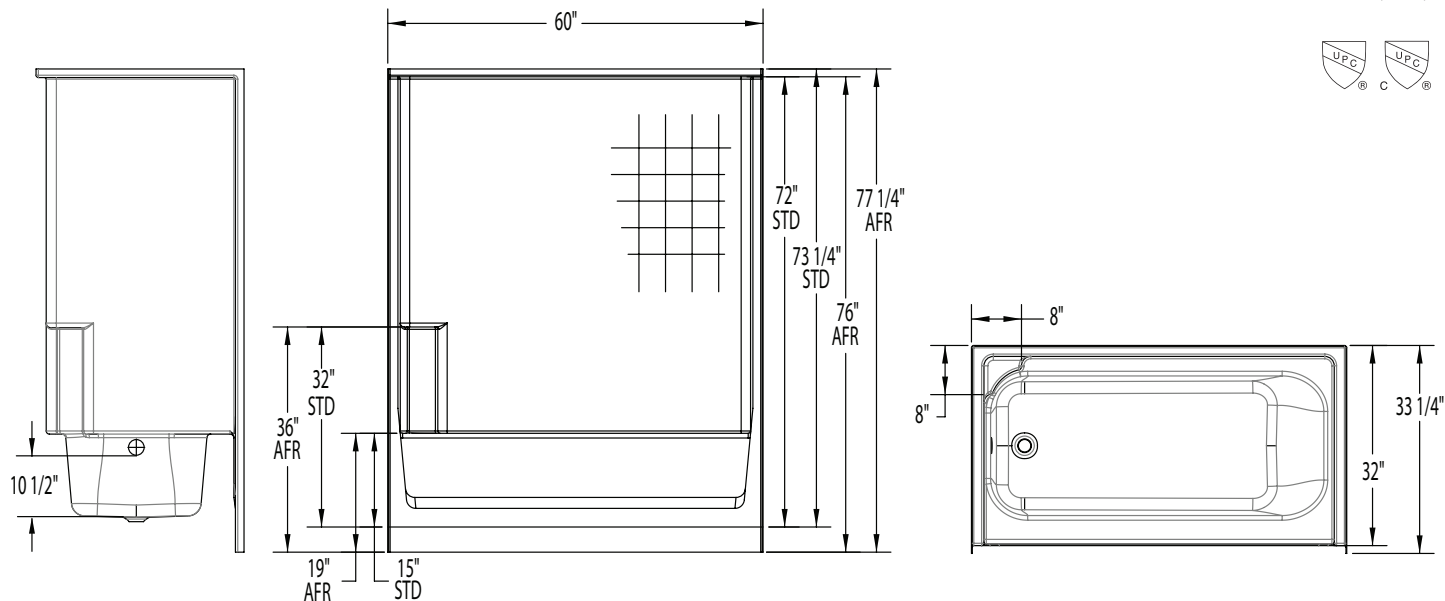
COLOR & TRIM OPTIONS

Stock	Premium
Almond	Black
Biscuit	Mexican Sand
Bone	Sand Bar
Linen	
Sterling Silver	
White	



2603CT

60 x 32 x 72 (1525 x 815 x 1830)
inches (mm)



FEATURES lbs (kg) Dimensional Tolerance $\pm 3/8"$. Dimensions needed for site preparation should be measured from the unit. Aquatic assumes no responsibility for preparatory work.

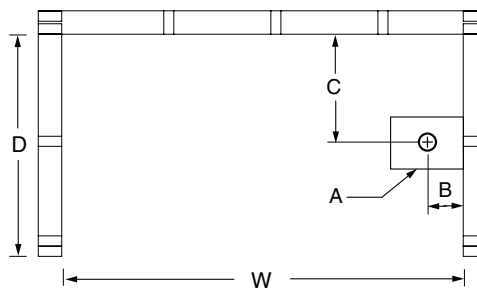
Model #	Material	Wall Finish	Jets	Motor	Controls	Drain	Net Wt.	Pkg. Wt.
Tub-Shower #26033CT	Gelcoat	Textured Tile	-	-	-	LH or RH	120 (54)	125 (57)

DIMENSIONS

Specifications	inches (mm)
Width: Overall / Net	60 (1525)
Depth: Overall / Net	33 1/4 (845) / 32 (815)
Height: Overall / Net	73 1/4 (1860) / 72 (1830)
Enclosure Opening	56 (1420)
Skirt Height	15 (380)
Drain Rough-In (from Back Wall)	16 (405)
Drain Rough-In (from Side Wall)	2 (50)
Drain: Diameter / Clearance	2 (50) / 7/8 (20)

FRAMING DIMENSIONS inches (mm)

Type	D Depth	W Width	H Height	A	B	C
Alcove	33 1/4 (845)	60 1/8 (1525)	-	Box Out	2 (50)	16 (405)



SUMP DATA

Top of Drain to Bottom of Overflow	Capacity to Overflow gal (ltr)	Min. Operating Capacity gal (ltr)	WIDTH @ centerline		DEPTH @ centerline	
			Top	Bottom	Top	Bottom
10 1/2 (265)	46 (174)	-	53 7/8 (1360)	44 (1120)	22 7/8 (570)	20 1/4 (515)