

CAE148 – ACRYLIC SHOWERS

inches (mm)

48 x 36 x 78 (1220 x 915 x 1980) • Fax on Demand #1164

MODEL #CAE1480

MODEL #CAE148L/R (1 seat, LH or RH)



FEATURES

- Stylized smooth wall
- 1 integral footrest (1 seat models)
- 2 integral footrest (no seat models)
- 1 molded seat or no seat
- Slip-resistant floor
- Center drain
- Lucite cast acrylic surface
- Limited 5-year warranty

OPTIONS

- Brass drain
- Designer metallic grab bar: Chrome, Oil-Rubbed Bronze, Polished Brass, Brushed Nickel
- Shower door series: L0517

AQUATIC ADVANTAGE

- National distribution
- 5 manufacturing facilities
- Private fleet
- Centralized customer service
- Field support
- 24-hour fax-on-demand

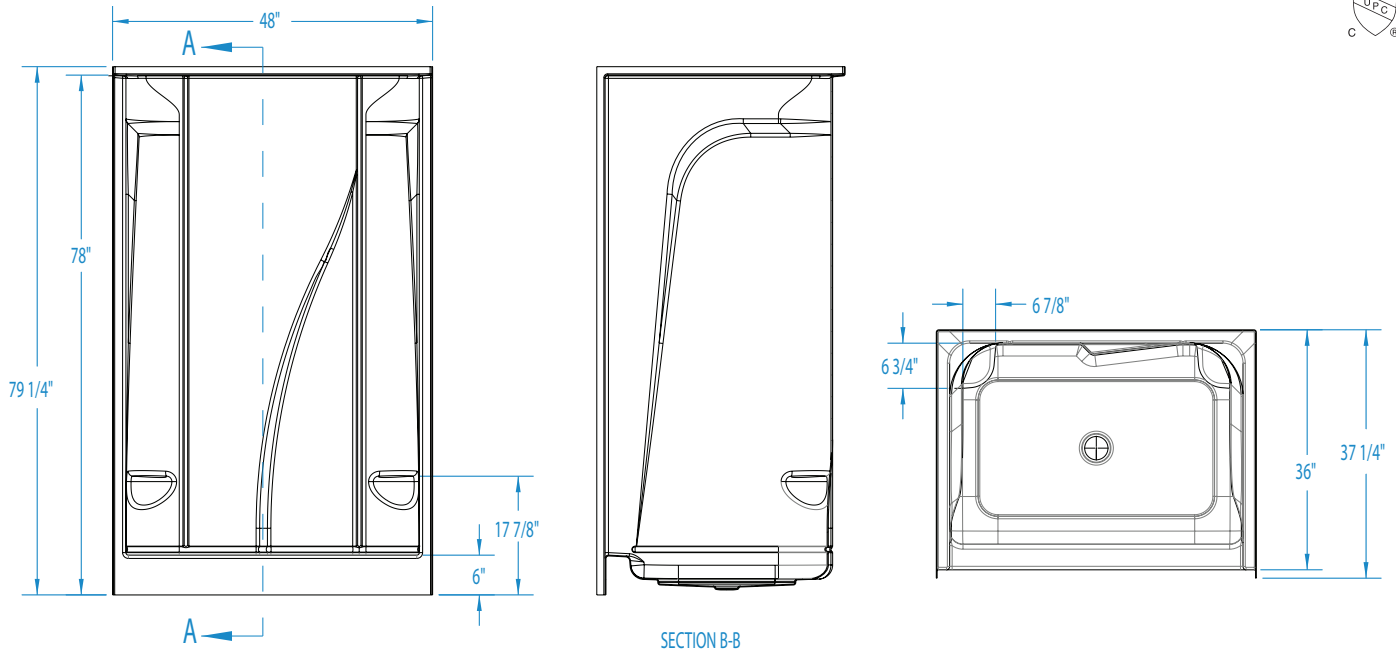
COLOR & TRIM OPTIONS

| Stock | Premium |
|-----------------|--------------|
| Almond | Black |
| Bone | Cashmere |
| Linen/Biscuit | Mexican Sand |
| Sterling Silver | Red |
| White | Sandbar |



CAE148

48 x 36 x 78 (1220 x 915 x 1980)
inches (mm)



FEATURES lbs (kg) Dimensional Tolerance $\pm 3/8"$. Dimensions needed for site preparation should be measured from the unit. Aquatic assumes no responsibility for preparatory work.

| Type and Model # | Material | Wall Finish | Pieces | Drain | Seats | Lights | Pkg. Wt. |
|-------------------|----------|-------------|--------|--------|-------------------|--------|----------|
| Shower #CAE1480 | Acrylic | Smooth Wall | 1 | Center | No seat | - | 145 (66) |
| Shower #CAE148L/R | Acrylic | Smooth Wall | 1 | Center | 1 seat (LH or RH) | - | 154 (70) |

DIMENSIONS

| Specifications | inches (mm) |
|---------------------------------|---------------------------|
| Width: Overall / Net | 48 (1220) |
| Depth: Overall / Net | 37 1/4 (945) / 36 (915) |
| Height: Overall / Net | 79 1/4 (2015) / 78 (1980) |
| Enclosure Opening | 44 (1120) |
| Skirt Height | 6 (150) |
| Drain Rough-In (from Back Wall) | 17 3/4 (450) |
| Drain Rough-In (from Side Wall) | 24 (610) |
| Drain: Diameter / Clearance | 3 1/4 (85) / 3/4 (20) |

FRAMING DIMENSIONS inches (mm)

| Type | D Depth | W Width | H Height | A Box-Out | B | C |
|--------|-------------|------------------|-------------|----------------------|----------|--------------|
| Alcove | 36 (915) | 48 1/8 (1220) | - | 6 x 6 (150 x 150) | 24 (610) | 17 3/4 (450) |

