

6030ABL/R – EVERYDAY SHOWER PAN

inches (mm)

60 x 30 x 4 (1524 x 760 x 100) • Fax on Demand #9031



FEATURES

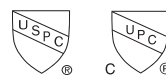
- Acrylic surface
- Reduced 4-inch threshold
- Slip resistant, textured bottom
- Left, right drain
- Ideal for tub-shower replacement
- Durable high gloss finish
- 5 year limited warranty

AQUATIC ADVANTAGE

- National distribution
- 5 manufacturing facilities
- Private fleet
- Centralized customer service
- Field support
- 24-hour fax-on-demand

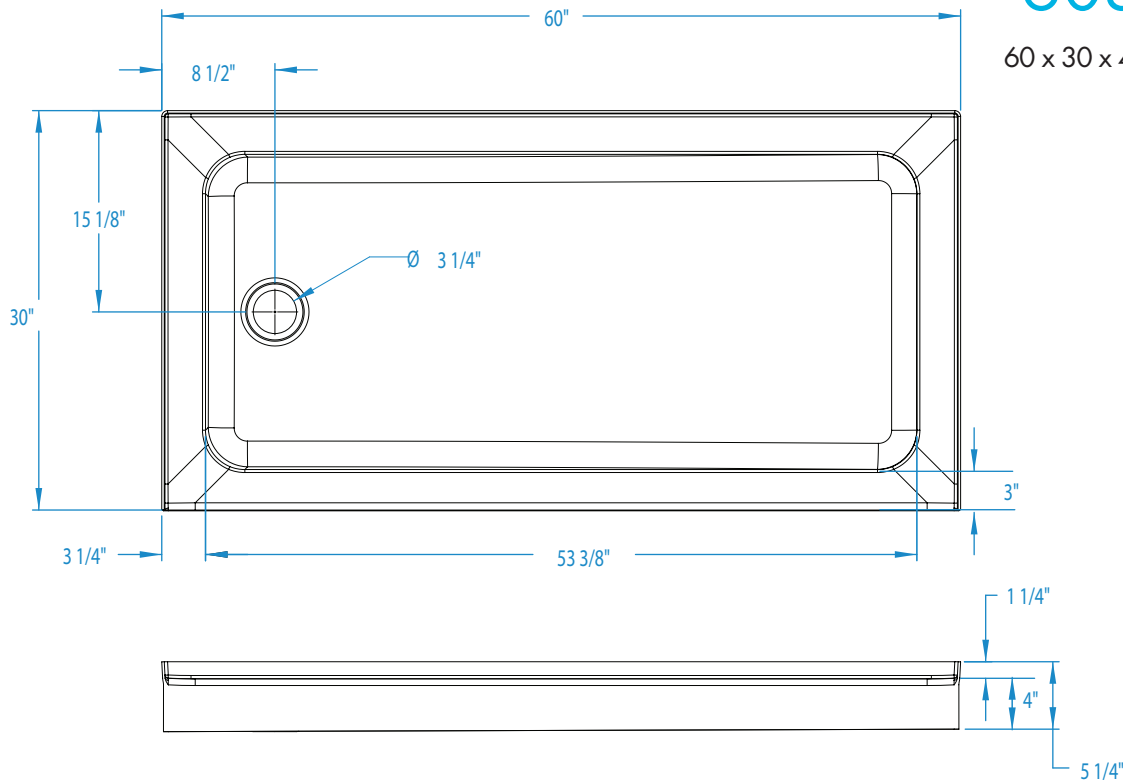
COLOR OPTIONS

Stock	Premium
Almond	Black
Biscuit/Linen	Mexican Sand
Bone	Sand Bar
Sterling Silver	
White	



6030ABL/R

60 x 30 x 4 (1525 x 760 x 100)
inches (mm)



FEATURES lbs (kg) Dimensional Tolerance \pm 3/8". Dimensions needed for site preparation should be measured from the unit. Aquatic assumes no responsibility for preparatory work.

Model #	Material	Drain	Net Wt.	Pkg. Wt.
Shower Pan #6030ABL/R	Acrylic	LH or RH	60 (27)	65 (30)

DIMENSIONS

Specifications	inches (mm)
Width: Net	60 (1525)
Depth: Net	30 (760)
Height: Net	4 (100)
Enclosure Opening	-
Skirt Height	4 (100)
Drain Rough-In (from Back Wall)	15 1/8 (385)
Drain Rough-In (from Side Wall)	8 1/2 (215)
Drain: Diameter / Clearance	3 1/4 (85) / 0

FRAMING DIMENSIONS inches (mm)

Type	D Depth	W Width	H Height	A	B	C
Alcove	30 (762)	60 1/8 (1524)	-	Box Out	8 1/2 (215)	15 1/8 (385)

