

# LUXEAIR 25 – LUXEAIR SERIES

inches (mm)

71 ¾ x 39 ½ x 22 ¾ (1820 x 1005 x 580) • Fax on Demand #1209

MODEL #A125LUX7240



## FEATURES

- 7 hydrotherapy jets: pressure-flo (4), StressEaz neck and shoulder therapy (2), recessed rotary (1)
- 1.75hp pump
- Electronic controls
- Inline maintenance heater
- Air bath system:
  - Variable speed blower
  - Air heating system
  - Automatic purge and dry cycle with water sensors
- Deep bathing well
- Sculpted armrests
- Slip-resistant floor
- Pre-leveled ABS support base
- Quiet pad anti-vibration pump mount
- Universal drain
- Lucite cast acrylic surface
- Limited lifetime warranty

## AQUATIC ADVANTAGE

- National distribution
- 6 manufacturing facilities
- Private fleet
- Centralized customer service
- Field support
- 24-hour fax-on-demand

## COLOR & TRIM OPTIONS

| Stock                  | Premium          |
|------------------------|------------------|
| Almond (C, M)          | Black (C, M)     |
| Bone (C, M)            | Cashmere (M)     |
| Linen/Biscuit (C, M)   | Mexican Sand (M) |
| Sterling Silver (C, M) | Red (M)          |
| White (C, M)           | Sandbar (M)      |

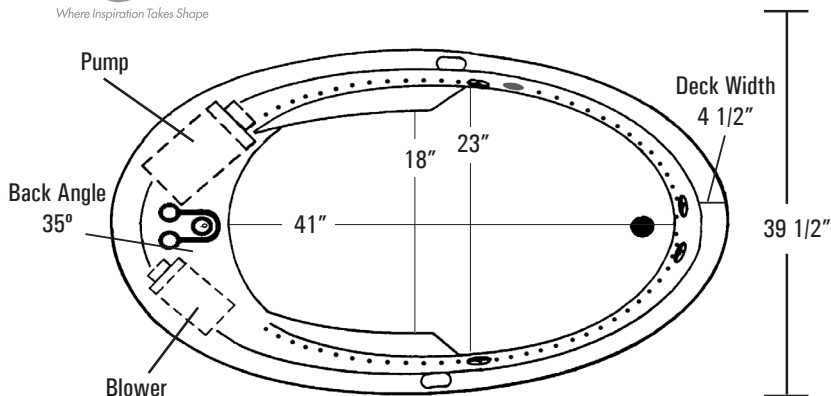
C = Color Matched Trim

M = Metallic Trim (Brushed Nickel, Chrome, Polished Brass)

## OPTIONS

- Chromatherapy LED lighting
- Comfort pillow: Biscuit, Black, White
- Cable drive waste & overflow: Chrome, Oil Rubbed Bronze, Polished Brass, Brushed Nickel, Color Matched (Biscuit, Bone, White)



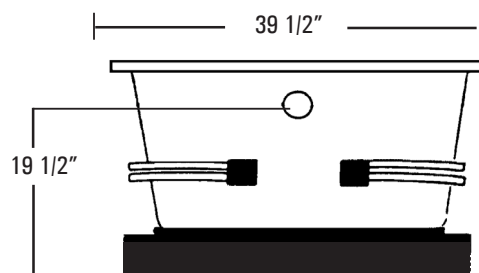
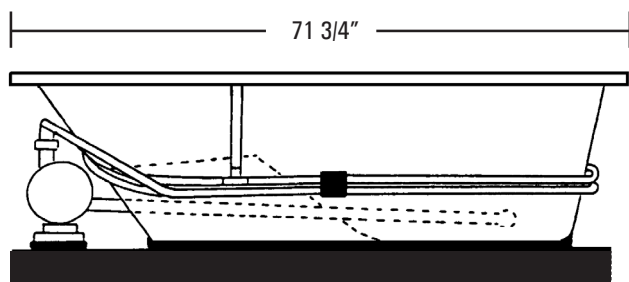


# LUXEAIR 25

71 3/4 x 39 1/2 x 22 3/4 (1820 x 1005 x 580)  
inches (mm)



**No alternate pump/blower locations available.**



**FEATURES** lbs (kg) Dimensional Tolerance ± 3/8". Dimensions needed for site preparation should be measured from the unit. Aquatic assumes no responsibility for preparatory work.

| Type and Model #           | Material | Jets | Pump    | Air System | Blower         | Heater        | Controls   | Drain     | Pkg. Wt.  |
|----------------------------|----------|------|---------|------------|----------------|---------------|------------|-----------|-----------|
| Air-Whirlpool #AI25LUX7240 | Acrylic  | 7    | 1.75 HP | Channel    | Variable speed | 1.5 kw Inline | Electronic | Universal | 245 (110) |

### DIMENSIONS inches (mm)

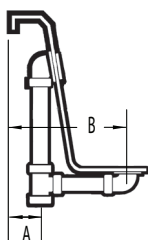
| Width<br>Overall / Net | Depth<br>Overall / Net | Height<br>Overall / Net | Skirt<br>Height |
|------------------------|------------------------|-------------------------|-----------------|
| 71 3/4 (1820)          | 39 1/2 (1005)          | 22 3/4 (580)            | -               |

### SUMP DATA inches (mm)

| Capacity to<br>Overflow<br>gal (ltr) | Min. Operating<br>Capacity<br>gal (ltr) | WIDTH @ centerline |               | DEPTH @ centerline |              |
|--------------------------------------|---|--------------------|---------------|--------------------|--------------|
|                                      |   | Top                | Bottom        | Top                | Bottom       |
| 86 (325)                             | 67 (255)                                | 64 1/4 (1630)      | 44 1/4 (1125) | 31 1/4 (795)       | 26 1/2 (670) |

### PLUMBING DIMENSIONS inches (mm)

| A           | B            |
|-------------|--------------|
| 5 1/4 (135) | 16 1/4 (415) |



### ELECTRICAL DATA

| Component     | Specification           | Requirement                                   |
|---------------|-------------------------|---|
| Pump          | 1.75 HP; 12 AMP; 110 V  | 15 AMP 2 pole, separate circuit, Class A GFCI |
| Inline Heater | 1.5 kW; 12.5 AMP; 110 V |   |
| Blower        | 1 HP; 10.5 AMP; 110 V   | 15 AMP 1 pole, separate circuit, Class A GFCI |

**NOTE:**  
1) This whirlpool must be hard wired to the breaker box. Three outlets will be supplied on the whirlpool.

**NOTES:**  
1) Where applicable, utilize cut-out templates packed with unit for deck cutouts.

2) 16 x 20 (405 x 510) minimum access required at pump/blower location(s).