



PROLINE™ / PROSEAT™ MOLDED WOOD TOILET SEAT



MODEL #

COLOR #

550PRO

DESCRIPTION:

Open front with cover, round, molded wood, multi-coat enamel finish toilet seat. Features two color-matched bumpers, color-matched Top-Tite® hinges with non-corrosive, top-tightening Hex-Tite™ bolts and wing nuts.

SPECIFICATIONS:

Size:	Round
Material:	Molded Wood
Style:	Open Front with Cover
Bumpers:	Two
Hinges:	Plastic Top-Tite®
Fastening System:	Non-Corrosive Hex-Tite™ Bolts and Wing Nuts

FEATURES:

Top-Tite® Hinges

Non-Corrosive Hex-Tite™ Bolts and Wing Nuts

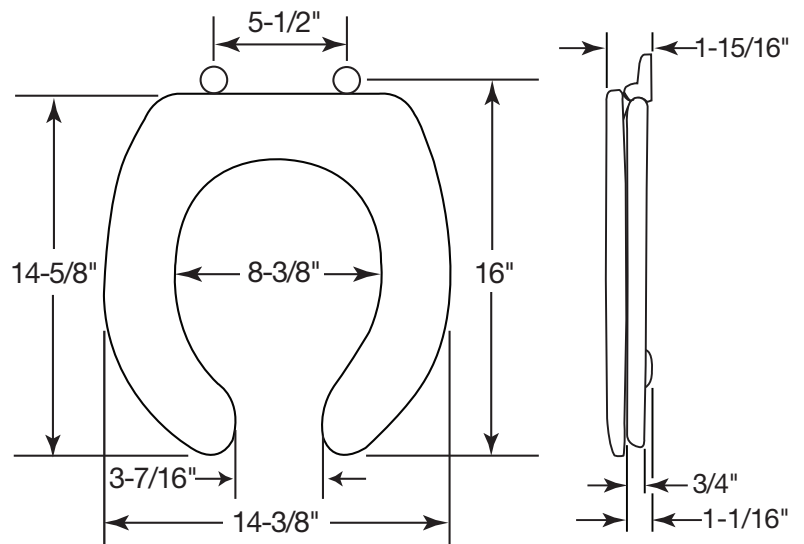


TOP-TITE® HINGES



NON-CORROSIVE BOLTS
AND WING NUTS

DIMENSIONS:



Proudly Made in the USA

Bemis Manufacturing Co., Sheboygan Falls, WI 53085
www.BemisSeats.com

Phone: 920-467-4621 | 800-558-7651 Fax: 920-467-8573
©2010 0B7012263