

# MECHANICAL FAUCETS

## 640-L9E35-317YAB

### Manual and Metering Faucets

#### Product Type

Wall Mounted 8" Body, Adjustable Arms 7 1/4" - 8 3/4" Hot and Cold Water Sink Faucet with Integral Supply Stops

#### Features & Specifications

- 8" Body, Adjustable Arms 7 1/4" - 8 3/4"
- 9-1/2" L Type Swing Spout
- 1.5 GPM (5.7 L/min) Aerator
- 4" Wristblade Handle
- Ceramic 1/4 Turn Operating Cartridge
- 7/8" Offset Inlet Supply Arm with 1/2" NPT Female Thread Inlet
- 2-5/16" Diameter Slip Flange
- Integral Stop Valves for Servicing the product
- ECAST® design provides durable brass construction with total lead content equal to or less than 0.25% by weighted average

#### Performance Specification

- Rated Operating Pressure: 20-125 PSI
- Rated Operating Temperature: 40-140°F

#### Warranty

- Lifetime Limited Faucet Warranty
- 5-Year Limited Cartridge Warranty
- 1-Year Limited Finish Warranty

#### Codes & Standards

- ASME A112.18.1/CSA B125.1
- Certified to NSF/ANSI 61, Section 9 by CSA
- ADA ANSI/ICC A117.1

Job Name \_\_\_\_\_

Item Number \_\_\_\_\_

Section/Tag \_\_\_\_\_

Model Specified \_\_\_\_\_

Architect \_\_\_\_\_

Engineer \_\_\_\_\_

Contractor \_\_\_\_\_

Submitted as Shown       Submitted with Variations

Date \_\_\_\_\_



#### **ECAST**

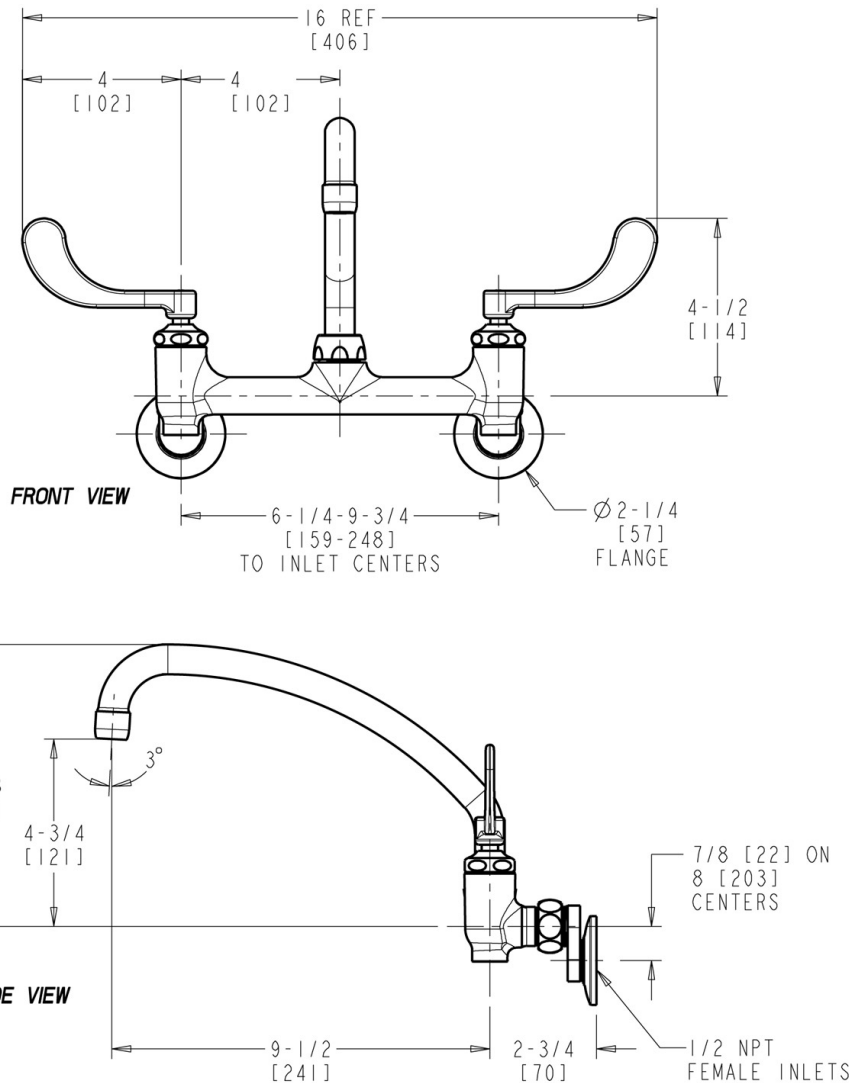
ECAST products are intended for installation where state laws and local codes mandate lead content levels or in any location where lead content is a concern.



## Manual and Metering Faucets

### Architect/Engineer Specification

Chicago Faucets No. 640-L9E35-317YAB, Wall Mounted 8" Body, Adjustable Arms 7 1/4" - 8 3/4" Hot and Cold Water Sink Faucet with Integral Supply Stops, Chrome Plated solid brass construction. 9-1/2" Center to Center L Type Swing Spout. 1.5 GPM (5.7 L/min) Pressure Compensating Softflo Aerator. 4" Metal Wristblade handle(s) with Sixteen Point Tapered Broach and Secured Blue and Red Buttons. Ceramic quarter turn cartridge, features square tapered stem. 7/8" Offset Inlet Supply Arm with 1/2" NPT Female Thread Inlet. 2-5/16" Diameter Slip Flange. Integral Stop Valves for Servicing the product. ECAST® construction with less than 0.25% lead content by weighted average. This product meets ADA ANSI/ICC A117.1 requirements and is tested and certified to industry standards: ASME A112.18.1/CSA B125.1, and Certified to NSF/ANSI 61, Section 9 by CSA.



### Operation and Maintenance

Installation should be in accordance with local plumbing codes. Flush all pipes thoroughly before installation. After installation, remove spout outlet or flow control and flush faucet thoroughly to clear any debris. Care should be taken when cleaning the product. Do not use abrasive cleaners, chemicals or solvents as they can result in surface damage. Use mild soap and warm water for cleaning and protecting the life of Chicago Faucet products. For specific operation and maintenance refer to the installation instructions and repair parts documents that are located at [www.chicagofaucets.com](http://www.chicagofaucets.com).

Chicago Faucets, member of the Geberit Group, is the leading brand of commercial faucets and fittings in the United States, offering a complete range of products for schools, laboratories, hospitals, office buildings, food service, airports and sport facilities. Call 1.800.TECTRUE or 1.847.803.5000 Option 1 for installation or other technical assistance.



2100 South Clearwater Drive  
Des Plaines, IL  
P: 847/803-5000  
F: 847/803-5454  
Technical: 800/TEC-TRUE  
[www.chicagofaucets.com](http://www.chicagofaucets.com)