

**CHICAGO FAUCETS**  
a Geberit company

2100 South Clearwater Drive  
Des Plaines, IL 60018  
Phone: 847-803-5000  
Fax: 847-803-5454  
www.chicagofaucets.com

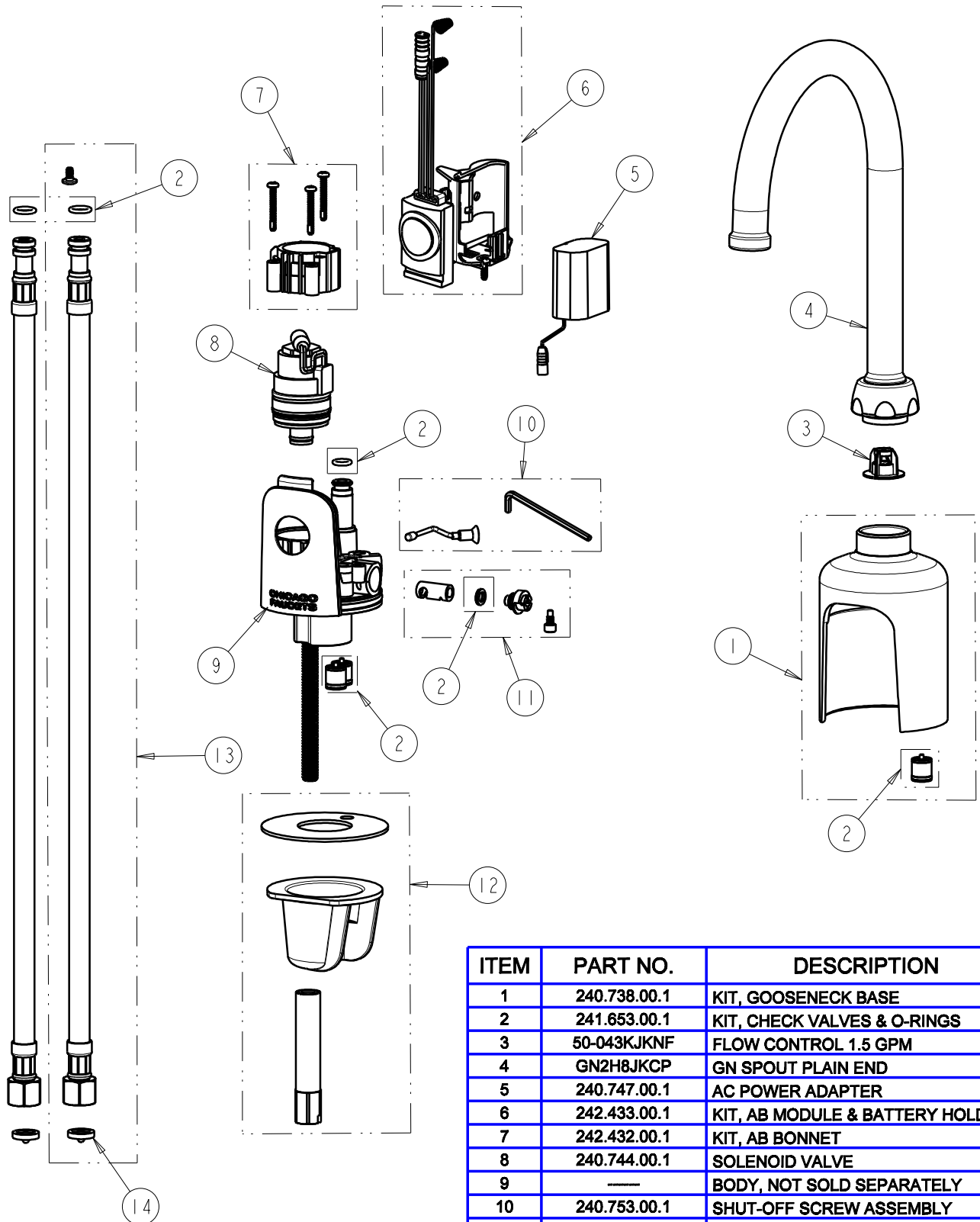
**REPAIR PARTS**

BY: JAR DATE: 11-10-09  
CHK: [Signature] REV: 03-02-10

FITTING NO.  
**116.428.AB.1**  
SUBMITTED MODEL NO.

ITEM NO.

**FOR TECHNICAL ASSISTANCE**  
1-800-TEC-TRUE (1-800-832-8783)



ITEM	PART NO.	DESCRIPTION
1	240.738.00.1	KIT, GOOSENECK BASE
2	241.653.00.1	KIT, CHECK VALVES & O-RINGS
3	50-043KJKNF	FLOW CONTROL 1.5 GPM
4	GN2H8JKCP	GN SPOUT PLAIN END
5	240.747.00.1	AC POWER ADAPTER
6	242.433.00.1	KIT, AB MODULE & BATTERY HOLDER
7	242.432.00.1	KIT, AB BONNET
8	240.744.00.1	SOLENOID VALVE
9	---	BODY, NOT SOLD SEPARATELY
10	240.753.00.1	SHUT-OFF SCREW ASSEMBLY
11	240.746.00.1	KIT, MIXER
12	240.745.00.1	KIT, DECK MOUNTING HARDWARE
13	240.693.00.1	KIT, SS BRAIDED HOSE (QTY 1)
14	3300-005JKNF	FILTER/SCREEN