

**CHICAGO FAUCETS**

a Geberit company

**FOR TECHNICAL ASSISTANCE**  
1-800-TEC-TRUE (1-800-832-8783)

2100 South Clearwater Drive  
Des Plaines, IL 60018  
Phone: 847-803-5000  
Fax: 847-803-5454  
www.chicagofaucets.com

**REPAIR PARTS**

BY: JAR DATE: 08-21-12

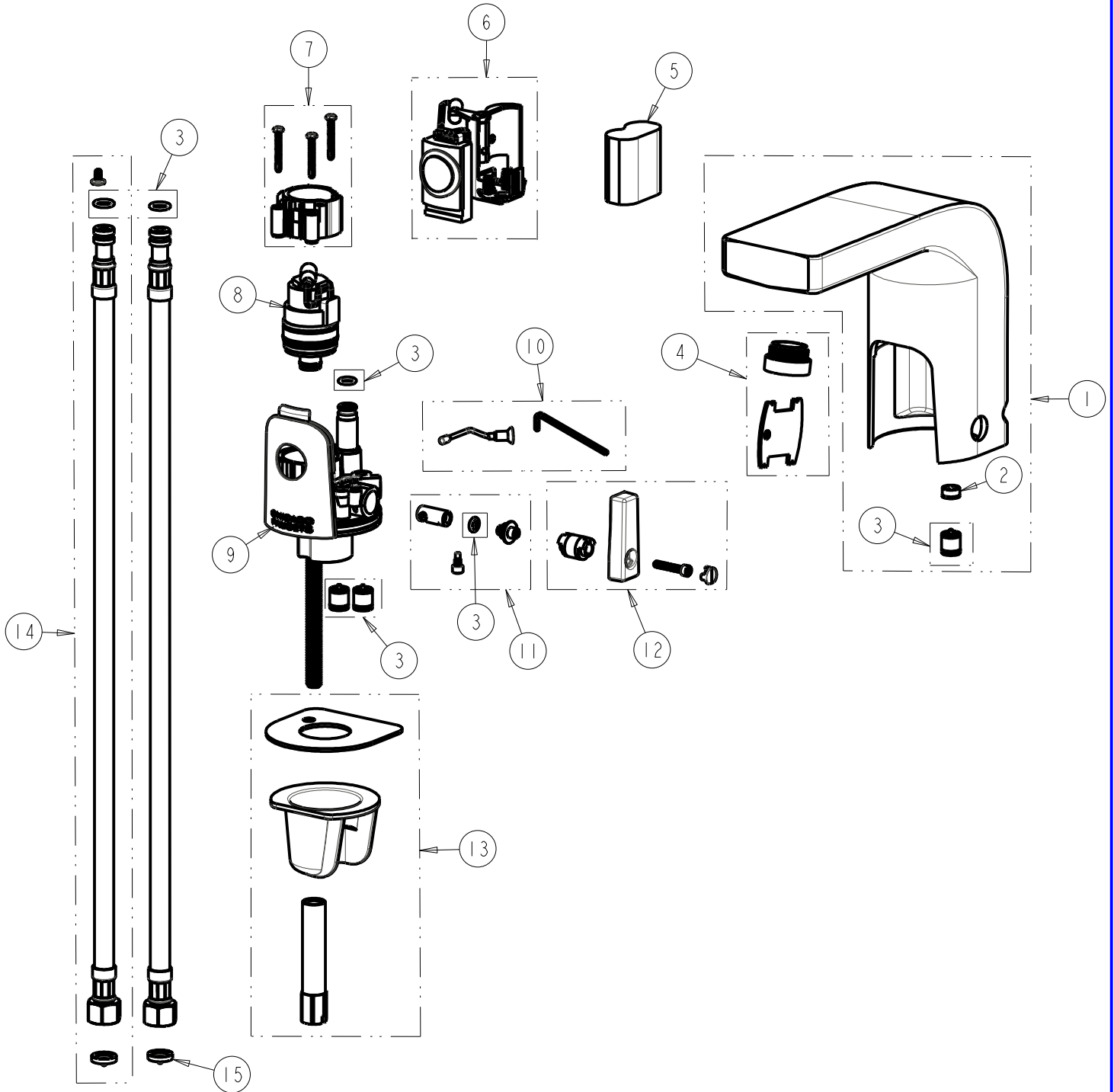
CHK: *YHC* REV: 11-06-12

FITTING NO.

116.870.AB.1

SUBMITTED MODEL NO.

ITEM NO.



ITEM	PART NO.	DESCRIPTION	ITEM	PART NO.	DESCRIPTION
1	242.799.AB.1	KIT, LAVATORY SPOUT w/ 1.5 GPM	9	-----	BODY, NOT SOLD SEPARATELY
2	1020-006JKNF	FLOW CONTROL 1.5 GPM MAX	10	240.753.00.1	SHUT-OFF SCREW ASSEMBLY
3	241.653.00.1	KIT, CHECK VALVES & O-RINGS	11	242.844.AB.1	EXTERNAL MIXER REPAIR KIT
4	242.757.AB.1	KIT, FLOW STRAGHTENER	12	242.895.00.1	KIT, MIXER
5	-----	6V LITHIUM BATTERY CR-P2 NOT SOLD	13	242.835.00.1	KIT, DECK MOUNTING HARDWARE
6	242.433.00.1	KIT, AB MODULE & BATTERY HOLDER	14	240.693.00.1	KIT, SS BRAIDED HOSE (QTY 1)
7	242.432.00.1	KIT, AB BONNET	15	3300-005JKNF	FILTER/SCREEN
8	240.744.00.1	SOLENOID VALVE			