

**CHICAGO FAUCETS**  
a Geberit company

2100 South Clearwater Drive  
Des Plaines, IL 60018  
Phone: 847-803-5000  
Fax: 847-803-5454  
www.chicagofaucets.com

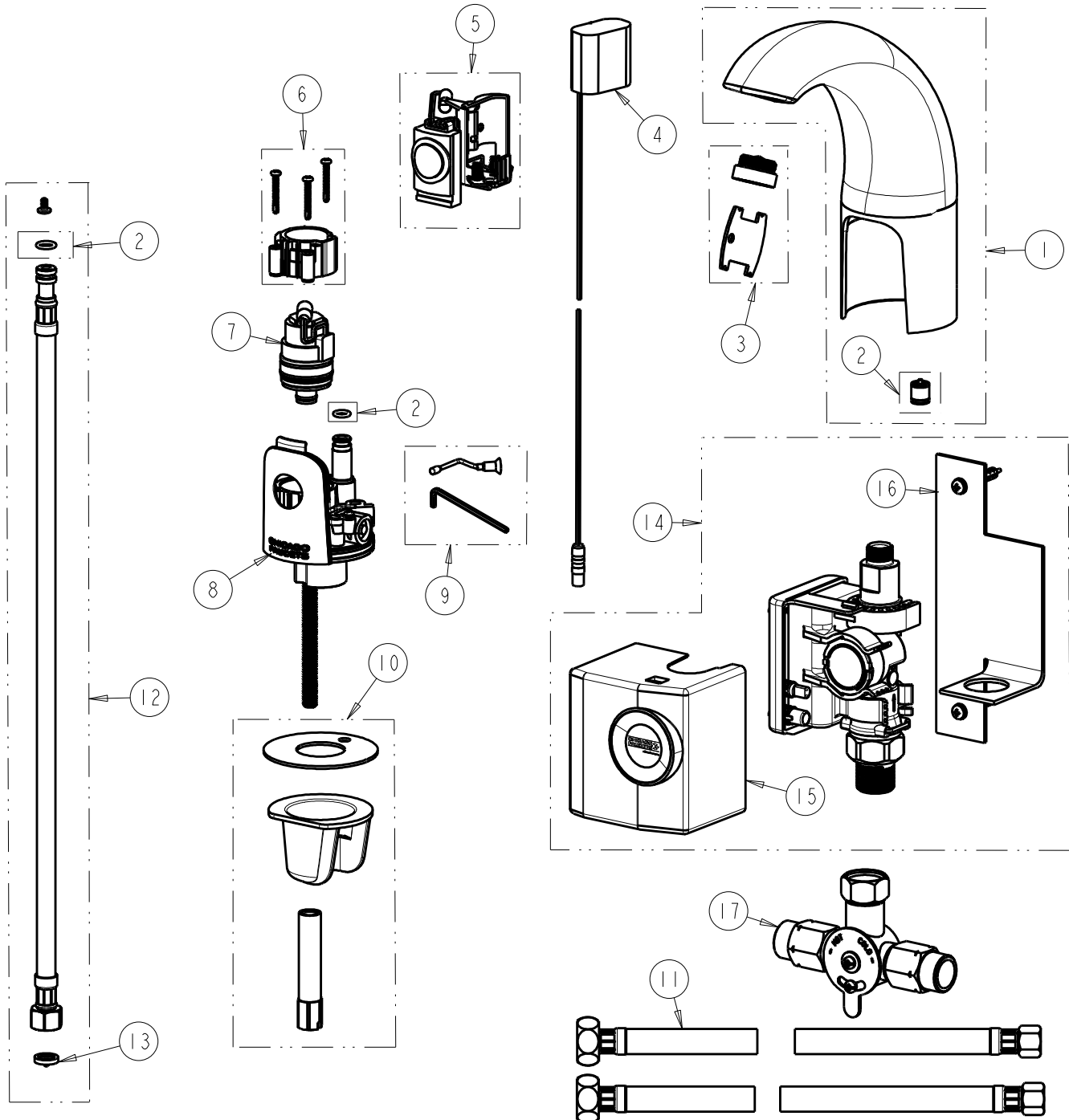
**REPAIR PARTS**

FITTING NO.  
**116.962.AB.1**  
SUBMITTED MODEL NO.

**FOR TECHNICAL ASSISTANCE**  
1-800-TEC-TRUE (1-800-832-8783)

BY: JAR DATE: 02-23-12  
CHK: [Signature] REV:

ITEM NO.



ITEM	PART NO.	DESCRIPTION	ITEM	PART NO.	DESCRIPTION
1	240.729.00.1	KIT, CONTEMPORARY SPOUT	10	240.745.00.1	KIT, DECK MOUNTING HARDWARE
2	241.653.00.1	KIT, CHECK VALVES & O-RINGS	11	---	HOSE, 1/2" IPS x 3/8" COM x 18" L
3	E64VPJKCP	OUTLET, 1.0 GPM LAMINAR VP	12	240.693.00.1	KIT, SS BRAIDED HOSE (QTY 1)
4	242.568.00.1	GREEN POWER ADAPTER	13	3300-005JKNF	FILTER/SCREEN
5	242.574.00.1	KIT, MODULE TURBINE HYTRONIC	14	242.749.00.1	GENERATOR, COMPLETE UNIT
6	242.432.00.1	KIT, AB BONNET	15	242.750.00.1	COVER, SSPS US
7	240.744.00.1	SOLENOID VALVE	16	242.751.00.1	KIT, WALL MOUNTING SSPS US
8	---	BODY, NOT SOLD SEPARATELY	17	242.165.AB.1	CONCEALED MIXING ASSEMBLY
9	240.753.00.1	SHUT-OFF SCREW ASSEMBLY			