

PARTS LIST

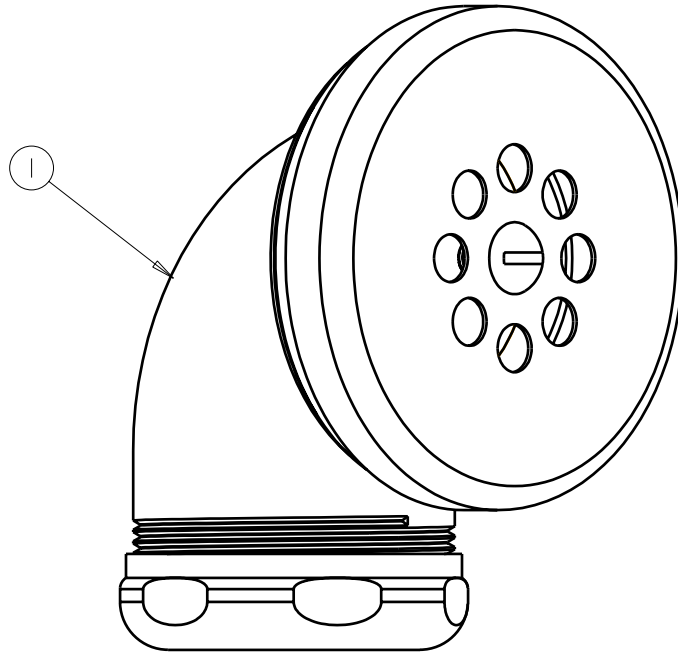
BY: SID
CHK'D: *[Signature]*



FINISH: AS SPECIFIED
DATE: 06-25-07

1344-001KJK

REV:



ITEM	PART NO.	DESCRIPTION
1	1344-001KJKRCF	OVERFLOW HEAD