

# PARTS LIST

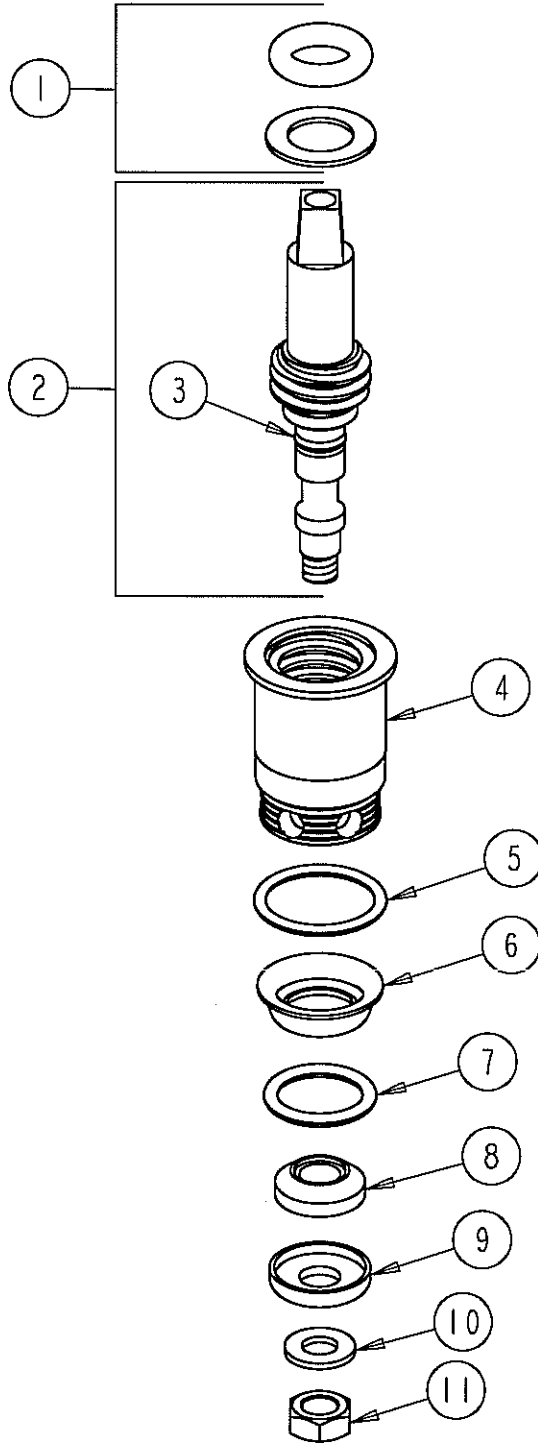


FINISH:  
DATE:

NO FINISH  
2-20-97

217XTRH

RIGHT HAND CARTRIDGE



ITEM NO.	PART NO.	DESCRIPTION	ITEM NO.	PART NO.	DESCRIPTION
1	93-131	PACKING	7	1-328	O-RING
2	1-315K	RH STEM ASSEMBLY	8	1-021	SEAT WASHER
3	1-219	O-RING	9	1-022	RETAINER
4	317-103	RH SLEEVE	10	1-031	STEM WASHER
5	2-043	O-RING	11	333-097	STEM NUT
6	1-327	MONEL SEAT			