

**CHICAGO FAUCETS**  
a Geberit company

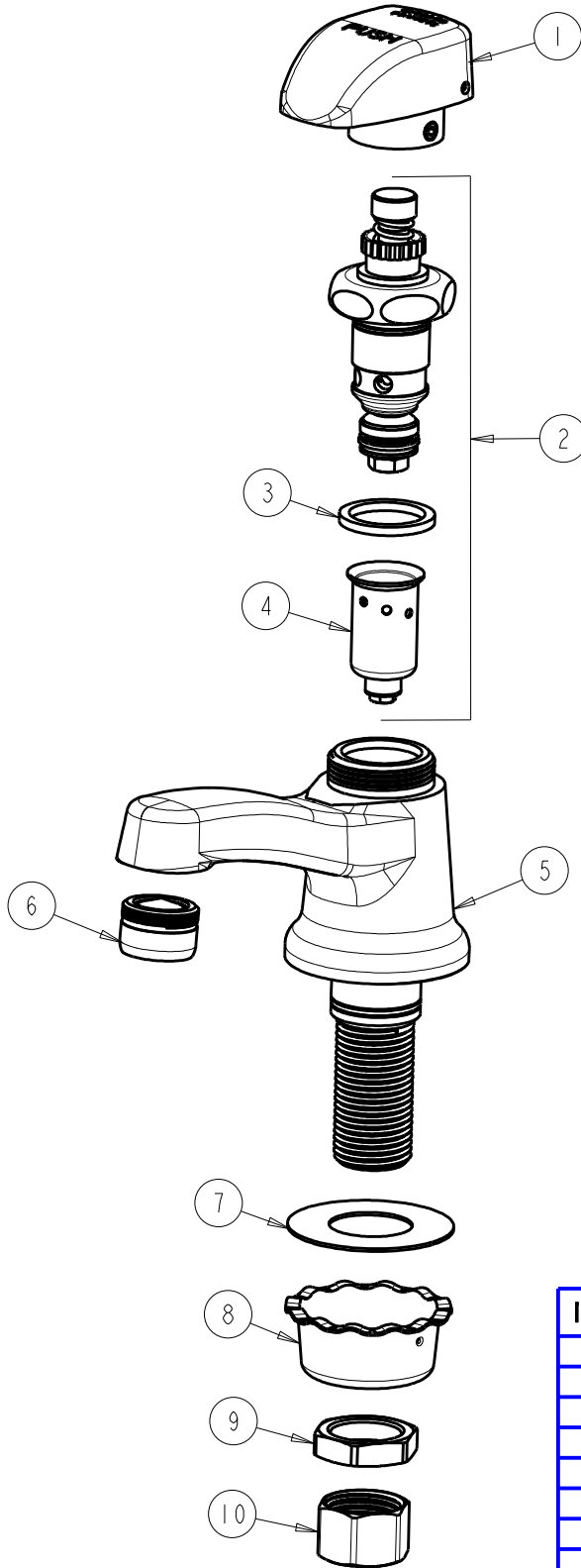
2100 South Clearwater Drive  
Des Plaines, IL 60018  
Phone: 847-803-5000  
Fax: 847-803-5454  
www.chicagofaucets.com

**FOR TECHNICAL ASSISTANCE**  
1-800-TEC-TRUE (1-800-832-8783)

# REPAIR PARTS

BY: SID    DATE: 02-28-12  
CHK: *[Signature]*    REV:

FITTING NO.
<b>335-E12PSHABCP</b>
SUBMITTED MODEL NO.
ITEM NO.



ITEM	PART NO.	DESCRIPTION
1	335-207KJKNF	PLAIN PUSH TILT HANDLE
2	335-XJKABNF	TIP TAP CARTRIDGE FOR 335X
3	1-043JKNF	GASKET, CAP 1 X .80 X .09
4	333-073KJKNF	DASPOT, SLOW
5	----	BODY (NOT SOLD SEPARATELY)
6	E12JKCP	SOFTFLO OUTLET
7	333-103JKNF	RUBBER WASHER
8	1797-114JKNF	BASIN COCK WASHER
9	49-004JKRBF	LOCKNUT
10	49-005JKRBF	COUPLING NUT