

CHICAGO FAUCETS
a Geberit company

2100 South Clearwater Drive
Des Plaines, IL 60018
Phone: 847-803-5000
Fax: 847-803-5454
www.chicagofaucets.com

REPAIR PARTS

FITTING NO.

389-665PSHCP

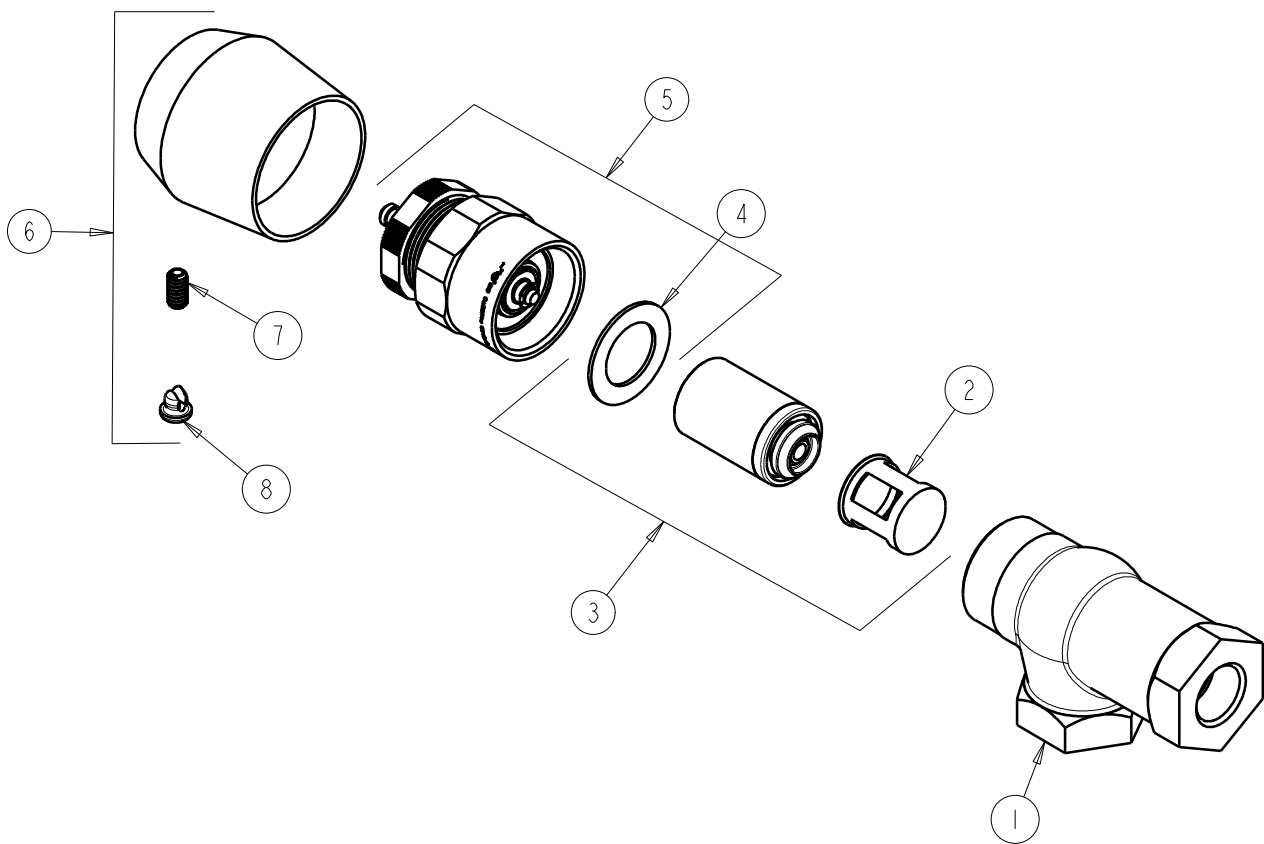
SUBMITTED MODEL NO.

BY: SID DATE: 02-25-10

CHK: *[Signature]* REV:

ITEM NO.

FOR TECHNICAL ASSISTANCE
1-800-TEC-TRUE (1-800-832-8783)



ITEM	PART NO.	DESCRIPTION	ITEM	PART NO.	DESCRIPTION
1	---	VALVE BODY NOT SOLD SEPARATELY	5	665-190KJKNF	ACTUATOR ASSEMBLY
2	667-402JKNF	MVP FILTER	6	665-PSHJKCP	HANDLE, PUSH CAP
3	671-XJKNF	METERING VALVE CARTRIDGE	7	665-116JKNF	SET SCREW
4	665-011JKNF	WASHER, SEALING	8	665-309KJKNF	BUTTONS, HOT AND COLD