



a Geberit company

2100 South Clearwater Drive  
Des Plaines, IL 60018  
Phone: 847-803-5000  
Fax: 847-803-5454  
www.chicagofaucets.com

# REPAIR PARTS

BY: JAR DATE: 10-25-11

CHK: *JAR* REV:

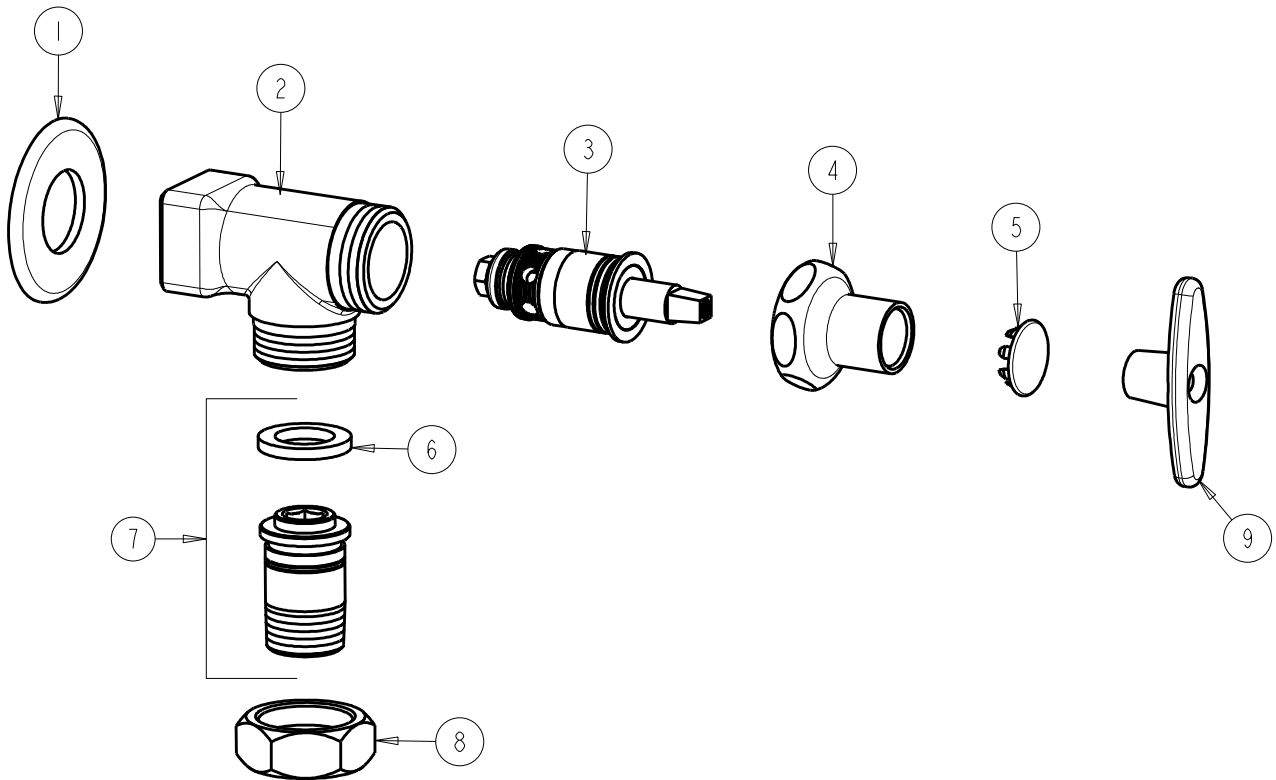
FITTING NO.

698-ABCP

SUBMITTED MODEL NO.

ITEM NO.

**FOR TECHNICAL ASSISTANCE**  
1-800-TEC-TRUE (1-800-832-8783)



ITEM	PART NO.	DESCRIPTION
1	417-019JKCP	FLANGE, 1.94 X .88 X .11
2	—	VALVE BODY (NOT SOLD SEPARATELY)
3	217-XTLHJKABNF	CARTRIDGE, SLO-COMPRESSION
4	1-246JKCP	NUT, CAP LOOSE KEY 1-1/8-18 UNEF
5	1-144JKCP	BUTTON
6	1-011JKNF	WASHER, .97 X .62 X .12
7	625-150KJKABRCF	TAILPIECE
8	625-045JKCP	NUT
9	293-006JKRCF	TEE HANDLE & SCREW