

# PARTS LIST

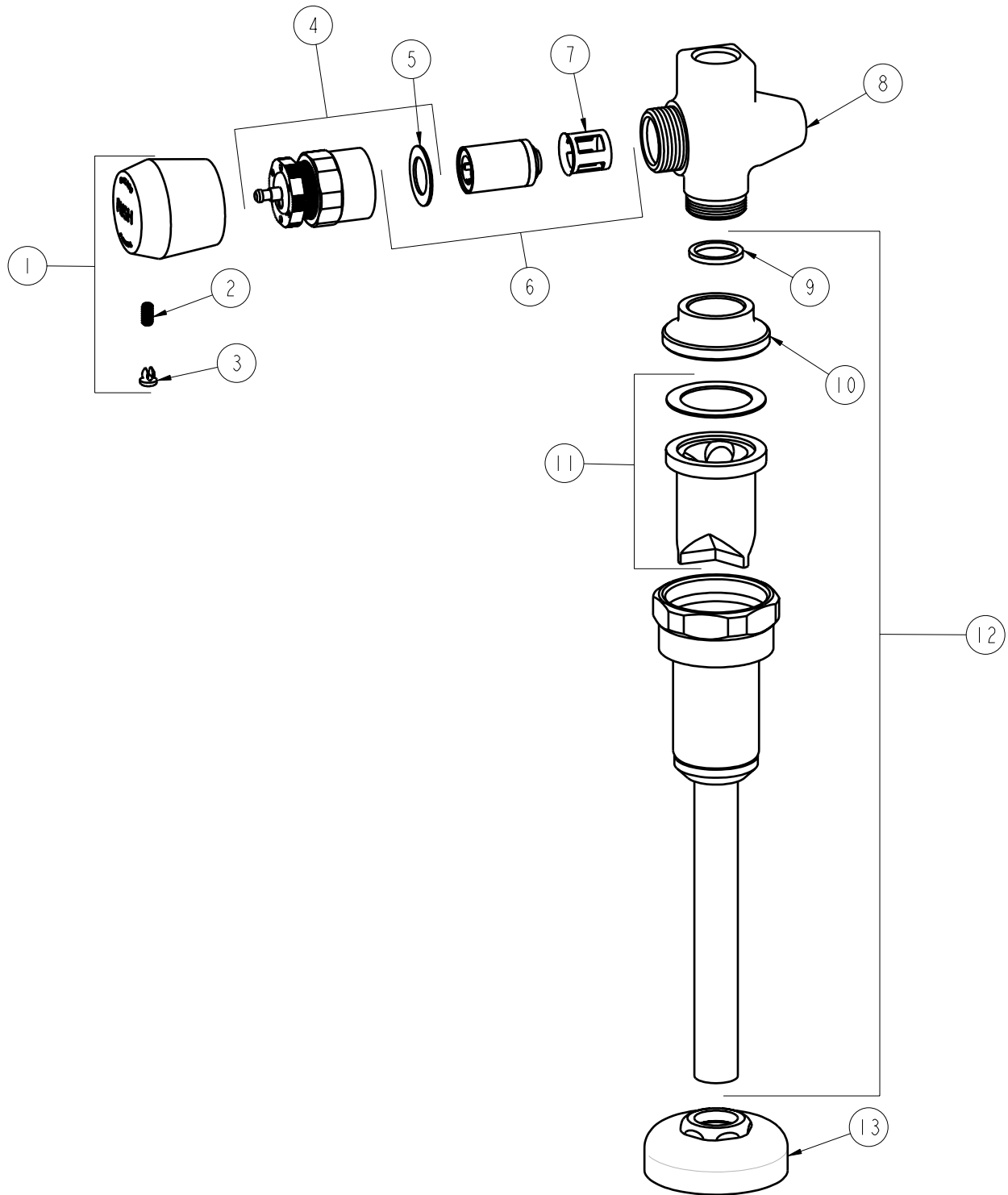
BY: SID  
CHK'D: *[Signature]*



FINISH: AS SPECIFIED  
DATE: 10-17-03

733-VB665PSH

REV: 04-03-07



ITEM NO.	PART NO.	DESCRIPTION	ITEM NO.	PART NO.	DESCRIPTION
1	665-PSH	HANDLE PUSH BUTTON ASSEMBLY	8	-----	VALVE BODY (NOT SOLD SEPARATELY)
2	665-116	SET SCREW	9	734-005	GASKET
3	665-309K	BUTTONS, HOT AND COLD	10	734-001	ADAPTER
4	665-190K	ACTUATOR ASSEMBLY	11	734-105K	URINAL V.B. REPAIR KIT
5	665-011	SEALING WASHER	12	734	URINAL VALVE VACUUM BREAKER
6	672-X	MVP CARTRIDGE	13	142-PP	FLANGE ASSEMBLY PRE-PACK
7	667-402	FILTER			