

CHICAGO FAUCETS 

a Geberit company

2100 South Clearwater Drive
Des Plaines, IL 60018
Phone: 847-803-5000
Fax: 847-803-5454
www.chicagofaucets.com

REPAIR PARTS

BY: SID DATE: 11-01-11

CHK:  REV:

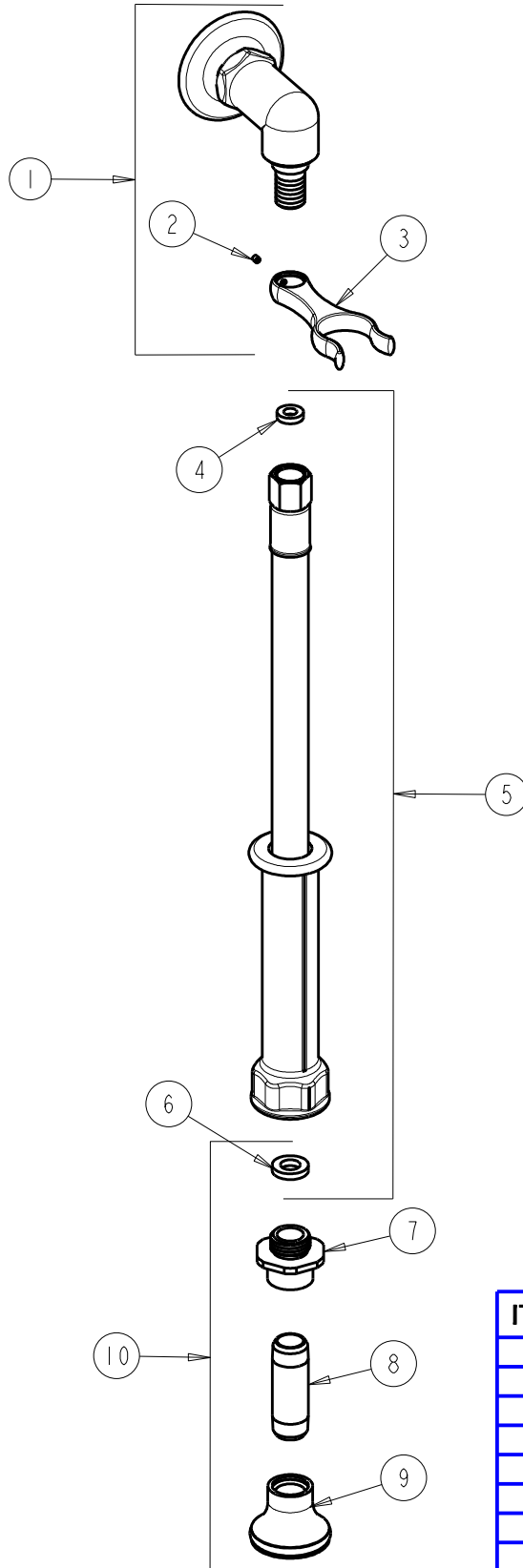
FITTING NO.

778-S777-16KCP

SUBMITTED MODEL NO.

ITEM NO.

FOR TECHNICAL ASSISTANCE
1-800-TEC-TRUE (1-800-832-8783)



ITEM	PART NO.	DESCRIPTION
1	777-033KJKCP	ANGLE SHANK ASSEMBLY
2	777-013JKNF	SCREW, SET 6-32 X 1/8
3	—	FORK (NOT SOLD SEPARATELY)
4	739-051JKNF	GASKET, 1/2 X 1/4 X 1/8
5	739-053KJKNF	HOSE, WHITE VINYL 53" W/ WASHERS
6	919-243JKNF	GASKET, .685 X .375 X .125
7	777-025JKCP	ADAPTER, SPRAY HANDLE
8	906-001JKCP	NIPPLE 3/8" NPT X 2"
9	224-012KJKCP	SPRAY ASSEMBLY
10	777-016KJKCP	SPRAY NOZZLE W/ WASHER