

CHICAGO FAUCETS
a Geberit company

2100 South Clearwater Drive
Des Plaines, IL 60018
Phone: 847-803-5000
Fax: 847-803-5454
www.chicagofaucets.com

REPAIR PARTS

FITTING NO.

886-VPHCP

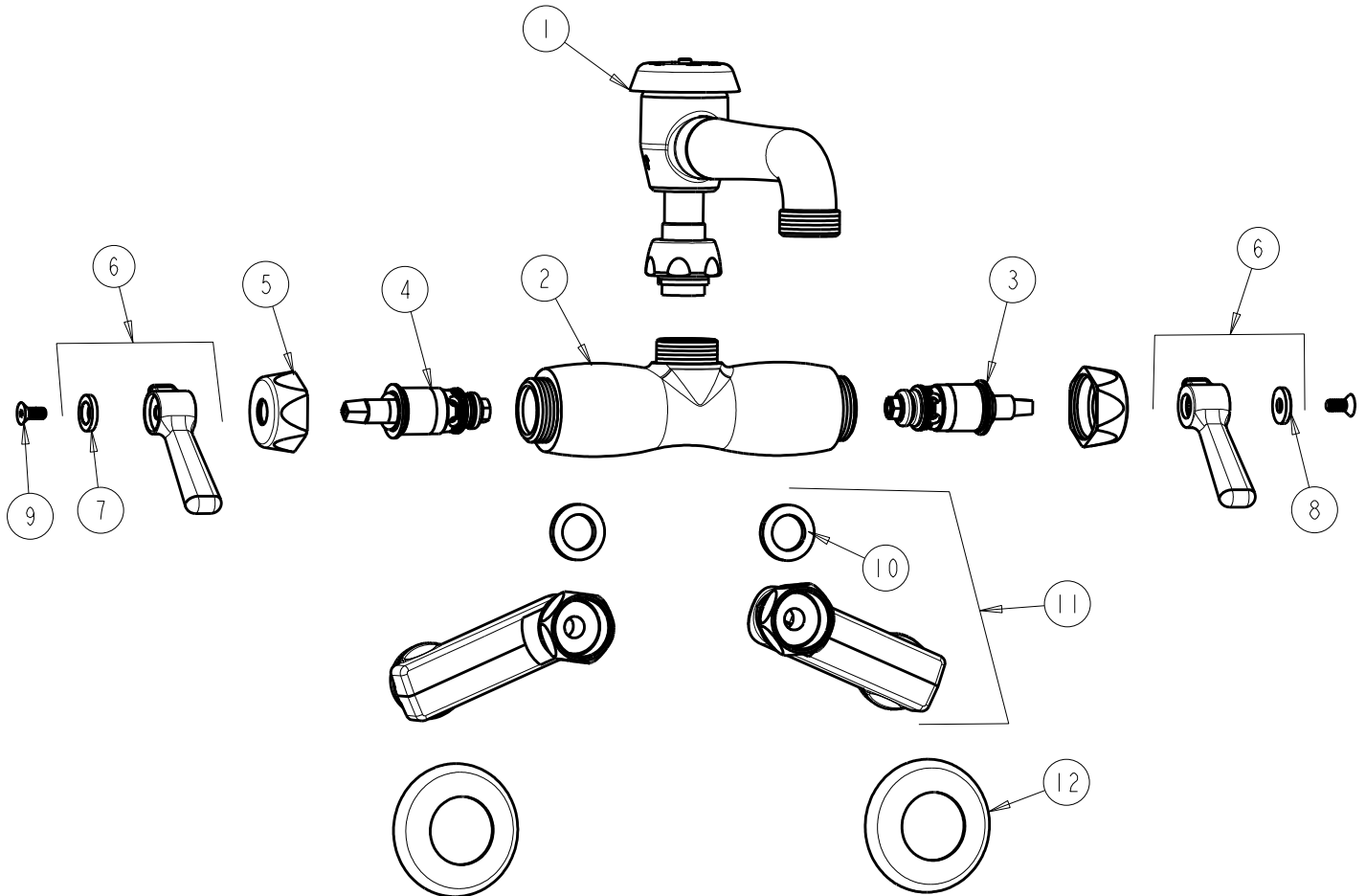
SUBMITTED MODEL NO.

ITEM NO.

BY: SID DATE: 03-04-11

CHK: *[Signature]* REV:

FOR TECHNICAL ASSISTANCE
1-800-TEC-TRUE (1-800-832-8783)



| ITEM | PART NO. | DESCRIPTION | ITEM | PART NO. | DESCRIPTION |
|------|-------------|----------------------------------|------|-------------|--------------------------------|
| 1 | L5VBJKCP | FOR PARTS SEE L5VBJKCP | 7 | 633-023JKNF | INDEX BUTTON (RED) |
| 2 | ----- | VALVE BODY (NOT SOLD SEPARATELY) | 8 | 633-123JKNF | INDEX BUTTON (BLUE) |
| 3 | 1-099XTJKNF | QUATURN UNIT (RH) | 9 | 420-020JKNF | SCREW, 1/8 FLAT HEX HEAD X 1/2 |
| 4 | 1-100XTJKNF | QUATURN UNIT (LH) | 10 | 1-011JKNF | WASHER, .97 X .62 X .12 |
| 5 | 444-005JKCP | CAP | 11 | HJKCP | 'H' ARM ASSEMBLY w/WASHER |
| 6 | 369-PRJKCP | LEVER HANDLE ASSEMBLY (PAIR) | 12 | 1-055JKCP | FLANGE |