

CHICAGO FAUCETS
a Geberit company

2100 South Clearwater Drive
Des Plaines, IL 60018
Phone: 847-803-5000
Fax: 847-803-5454
www.chicagofaucets.com

FOR TECHNICAL ASSISTANCE
1-800-TEC-TRUE (1-800-832-8783)

REPAIR PARTS

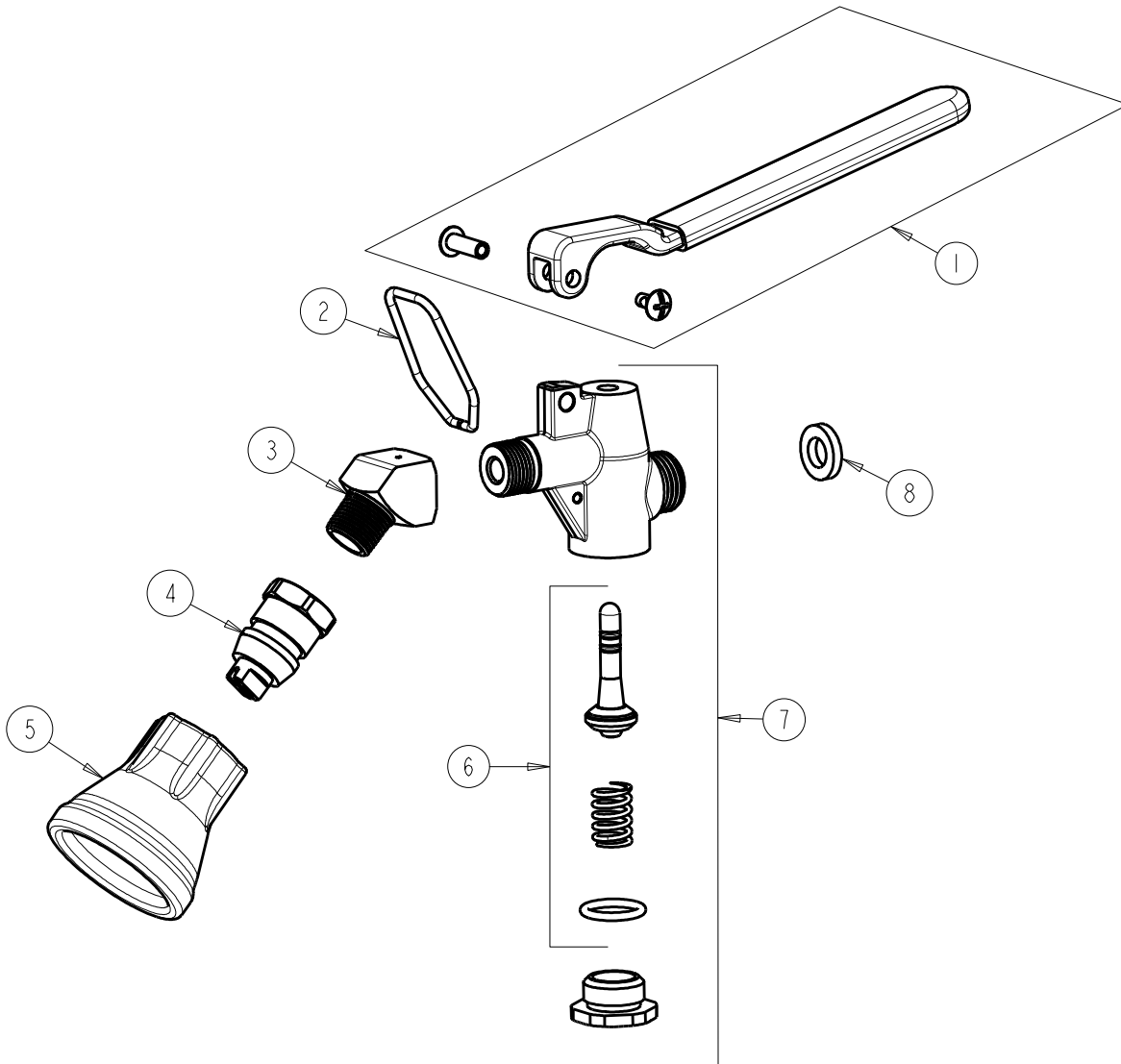
BY: JAR DATE: 05-05-11
CHK: *JAR* REV:

FITTING NO.

90-ANGABCP

SUBMITTED MODEL NO.

ITEM NO.



NOTES:

1. ITEM 7 SUPPLIED ASSEMBLED.
2. ITEM 3 AND 4 ARE ADHESIVED TO VALVE BODY AT THE FACTORY BUT ARE AVAILABLE AS 'JK' ITEM.

ITEM	PART NO.	DESCRIPTION
1	90-001KJKNF	KIT, PRE-RINSE HANDLE
2	919-153JKNF	HANDLE CLIP
3	925-006JKABCP	ELBOW, 45 DEGREE
4	919-158JKABNF	NOZZLE 1.0 GPM
5	919-151JKNF	BUMPER, RUBBER
6	919-130JKABNF	KIT, VALVE STEM ASSEMBLY
7	919-430JKABCP	KIT, PRE-RINSE VALVE ASSEMBLY
8	919-243JKNF	GASKET, .685 X .375 X .125