

CHICAGO FAUCETS

a Geberit company

2100 South Clearwater Drive
Des Plaines, IL 60018
Phone: 847-803-5000
Fax: 847-803-5454
www.chicagofaucets.com

FOR TECHNICAL ASSISTANCE
1-800-TEC-TRUE (1-800-832-8783)

REPAIR PARTS

BY: SID DATE: 11-16-11

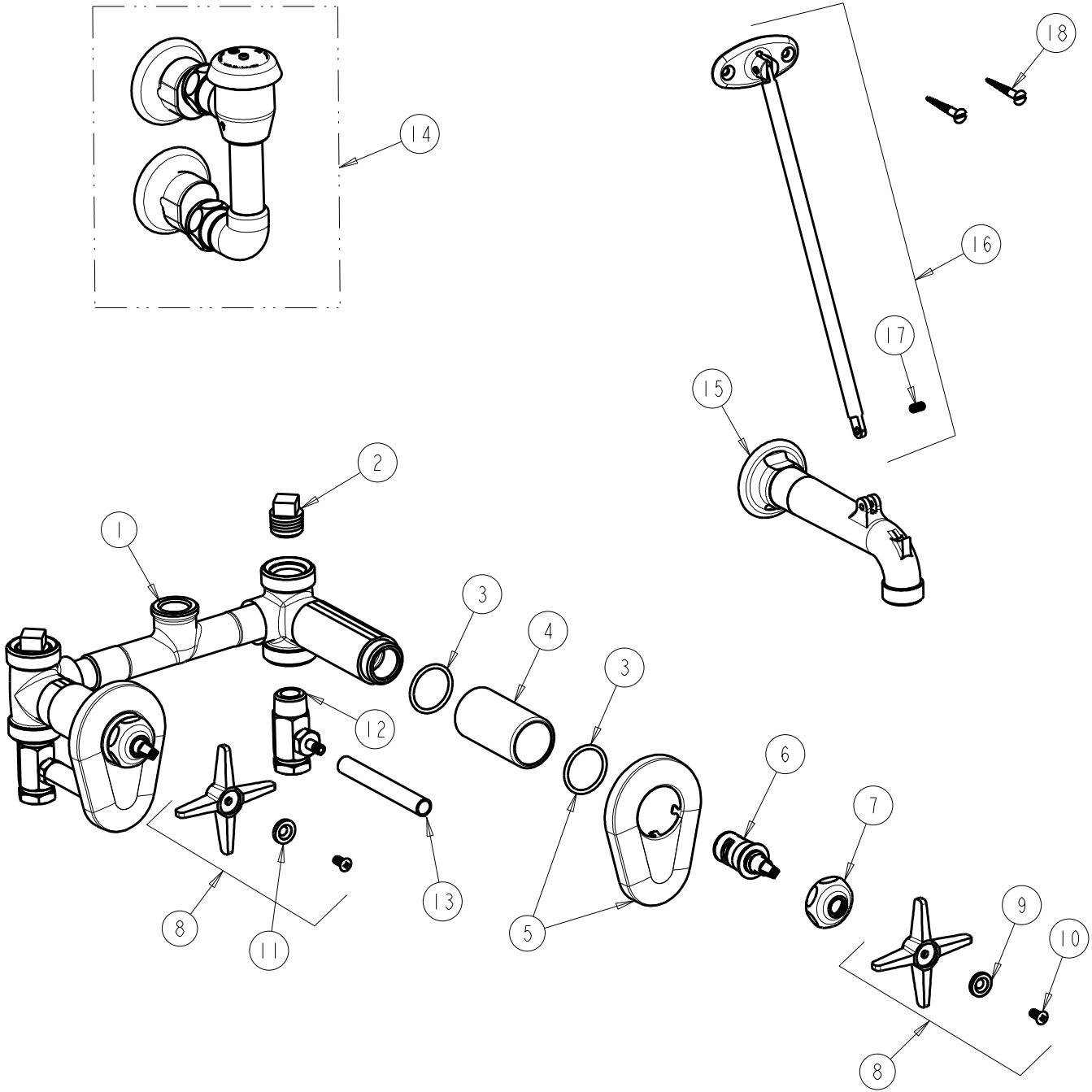
CHK: *[Signature]* REV:

FITTING NO.

911-ISXKCP

SUBMITTED MODEL NO.

ITEM NO.



ITEM	PART NO.	DESCRIPTION	ITEM	PART NO.	DESCRIPTION
1	—	VALVE BODY (NOT SOLD SEPARATELY)	10	420-010JKRCF	SCREW, 10-32 UNC PH 1/2
2	234-032JKRCF	1/2 NPT PLUG	11	633-023JKNF	INDEX BUTTON (RED)
3	5235-107JKNF	O-RING	12	769-013KJKRBF	INTEGRAL STOP VALVE
4	5235-106JKCP	SLEEVE	13	769-005JKNF	INTEGRAL STOP SLEEVE
5	769-201JKCP	WALL FLANGE & O-RING	14	892-GCP	ELEVATED VACUUM BREAKER ASSY.
6	1-100XKJKNF	LH CERAMIC QUATURN UNIT	15	782-001KJKCP	CAST SPOUT ASSEMBLY
7	1-214JKCP	CAP	16	897-013KJKCP	BRACE ROD ASSEMBLY
8	633-PRJKCP	4-ARM HANDLE ASSEMBLY	17	665-116JKNF	SET SCREW
9	633-123JKNF	INDEX BUTTON (BLUE)	18	173-006JKCP	FLAT HEAD WOOD SCREW (1)