

CHICAGO FAUCETS
a Geberit company

2100 South Clearwater Drive
Des Plaines, IL 60018
Phone: 847-803-5000
Fax: 847-803-5454
www.chicagofaucets.com

REPAIR PARTS

FITTING NO.

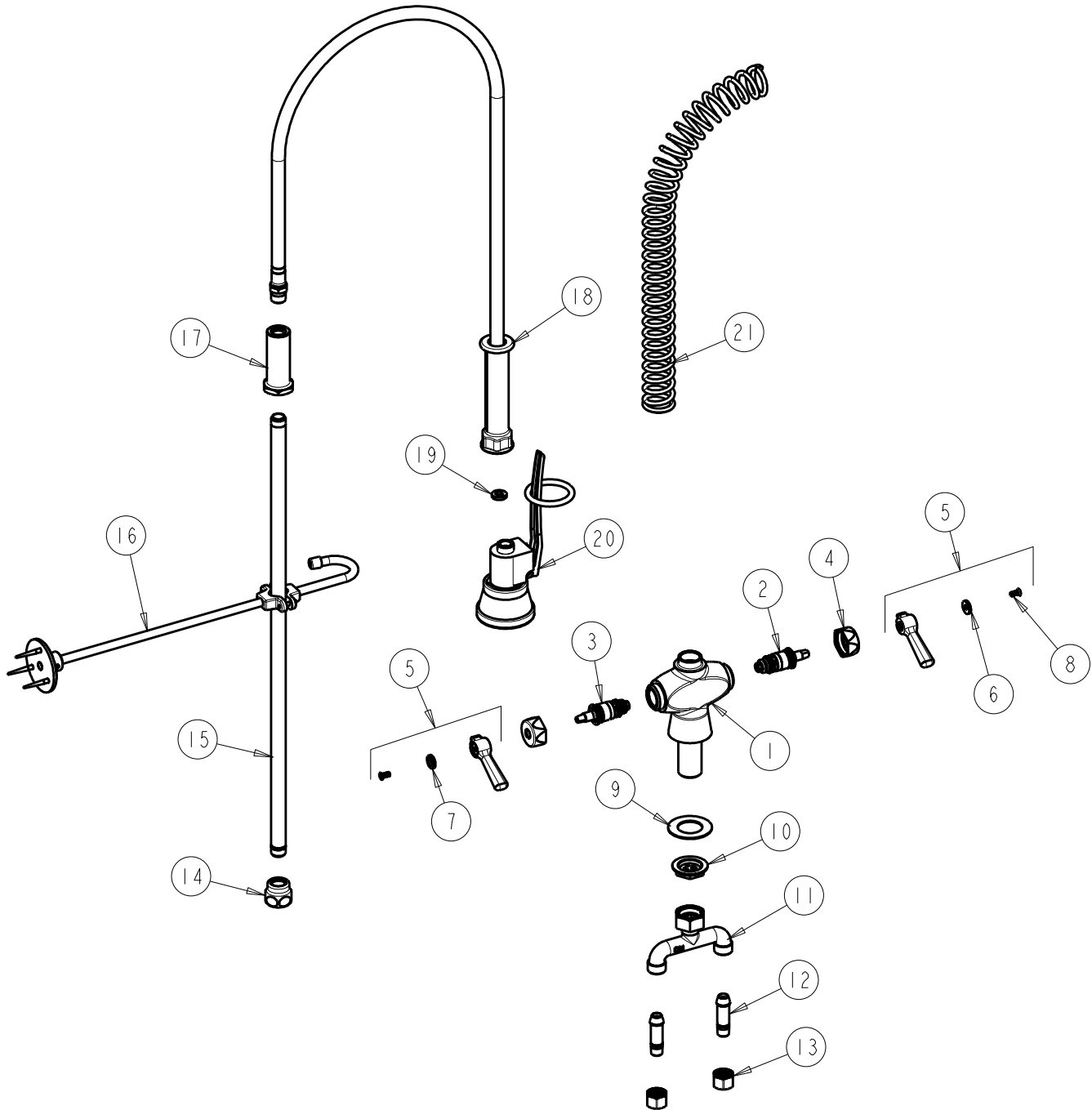
919-TFABCP

SUBMITTED MODEL NO.

ITEM NO.

FOR TECHNICAL ASSISTANCE
1-800-TEC-TRUE (1-800-832-8783)

BY: SID DATE: 10-21-11
CHK: *[Signature]* REV:



ITEM	PART NO.	DESCRIPTION	ITEM	PART NO.	DESCRIPTION
1	—	VALVE BODY NOT SOLD SEPARATELY	12	58-018KJKABRBF	TAIL PIECE ASSEMBLY
2	1-099XTJKABNF	QUATURN CARTRIDGE (RH)	13	49-005JKRBF	COUPLING NUT
3	1-100XTJKABNF	QUATURN UNIT (LH)	14	BA2JKCP	ADAPTER 3/8 NPT X 1 1/16-18 UNEF
4	444-005JKCP	CAP	15	919-039JKABCP	3/8" NPT X 23" RISER
5	369-PRJKCP	LEVER HANDLE ASSEMBLY (PAIR)	16	902-MHJKCP	PIPE STRAP AND HOOK ASSEMBLY
6	633-123JKNF	INDEX BUTTON (BLUE)	17	919-038JKCP	GUIDE SHANK
7	633-023JKNF	INDEX BUTTON (RED)	18	83-44ABNF	44" HOSE AND HANDLE ASSEMBLY
8	420-010JKRCF	SCREW, 10-32 UNC PH 1/2	19	919-243JKNF	GASKET, .685 X .375 X .125
9	50-014JKNF	STEEL WASHER	20	99TF	TRIPLE FORCE PRE-RINSE VALVE
10	50-003JKRBF	LOCKNUT	21	919-014JKCP	SPRING
11	50-010KJKRBF	TEE CONNECTION ASSEMBLY			