



TECK[®]
COMMERCIAL

Electronic Exposed TECK[®] Flush Valves for Sloan[®] / Zurn[®] Stops

81T231BTA-30

**Exposed Battery Operated
3/4" Top Inlet Urinal Fixture
LESS STOP, WITH MODIFIED TAIL TO FIT SLOAN[®]/ZURN[®] STOP**

- Polished chrome plated vandal resistant metal cover with top mounted sensor operated **H₂Optics[®]** electronics
- Right or left-hand supply installation
- ADA compliant, automatic operation battery powered infrared sensor
- Scratch resistant replaceable lens window
- Four (4) size AA alkaline batteries factory installed with valve in sleep mode for easy installation
- Hinged battery housing for easy maintenance
- Low battery flashing light (5000 flushes remaining) with battery strength indicator
- Infrared sensor range adjustment of 457mm-914mm (18" - 36"), factory set at 28" (±2")
- Optional 24 hour automatic flush factory set to ON
- Set-up sensor range adjustment indicator lights
- 6 VDC input, 8 second arming delay
- Electronic operated non-hold-open **metal** manual override button with 5 second lockout
- Quiet action, TECK[®] exposed diaphragm flush valve
- Chloramine resistant diaphragm
- Forged brass diaphragm retainer
- Renewable seat
- Polished chrome plated finish
- **External water conserving flush adjustment**, factory set at 60 PSI to 1.9 litre (.50 US gal.)
- Adjustable 114mm to 131mm (4.5" to 5.18") inlet/valve outlet centers
- Vacuum breaker
- Spud flange, spud nut, and 330mm (13") outlet tube

Approvals:

- CSA certified
- Complies to ASSE 1037
- ADA Compliant and meets Handicapped Accessibility Standard ASME A117.1 of less than 5 lbs. operating force.

(Contact Delta Representative for State and/or Local Approvals.)
U.S. Patent # 6, 826, 455
Other Patents Pending

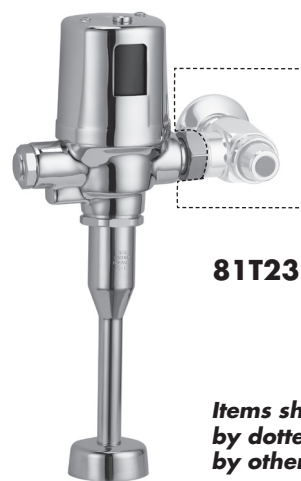


Engineer/Architect Approval

Model Specified:

Approval:

Date:



81T231BTA-30

Items shown outlined by dotted lines supplied by others.

81T231BTA-30-38

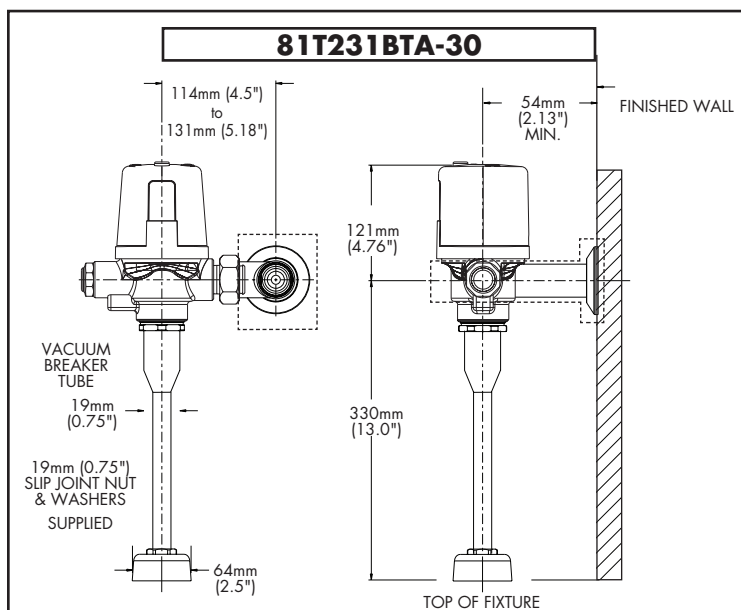
Same as 81T231BTA-30, but set at 60 PSI to 3.8 litre (1.0 US gal),
Not Field Adjustable

81T231BTA-30-19

Same as 81T231BTA-30, **Not Field Adjustable**

81T231BTA-30-05

Same as 81T231BTA-30, but set at 60 PSI to 0.5 litre (0.13 US gal),
Not Field Adjustable



Note: For high and low pressure applications, please see page FEA-81T High Water Pressure note for more details.
Verify flow requirements with bowl manufacturer.

Note: Measurements may vary ± 6mm (0.25")

Refer to www.specselect.com for individual models.

Note: Use this page as a product submittal sheet.