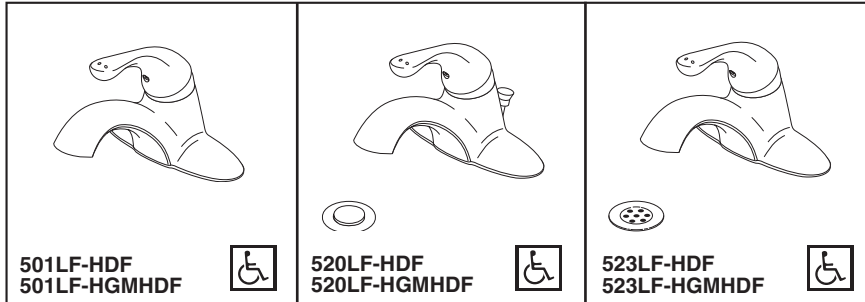
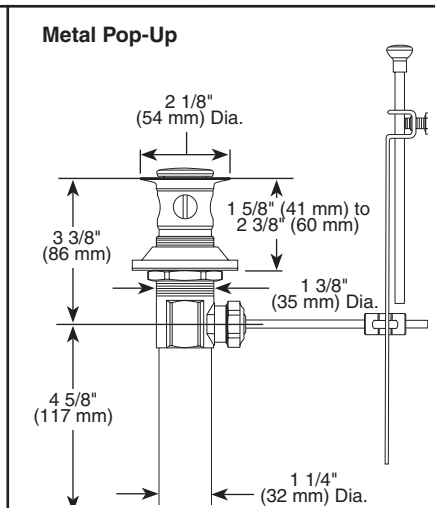
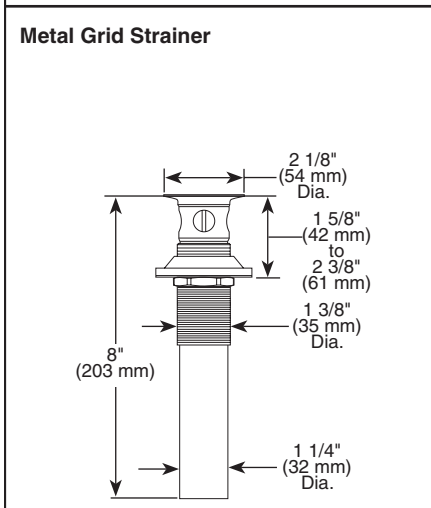
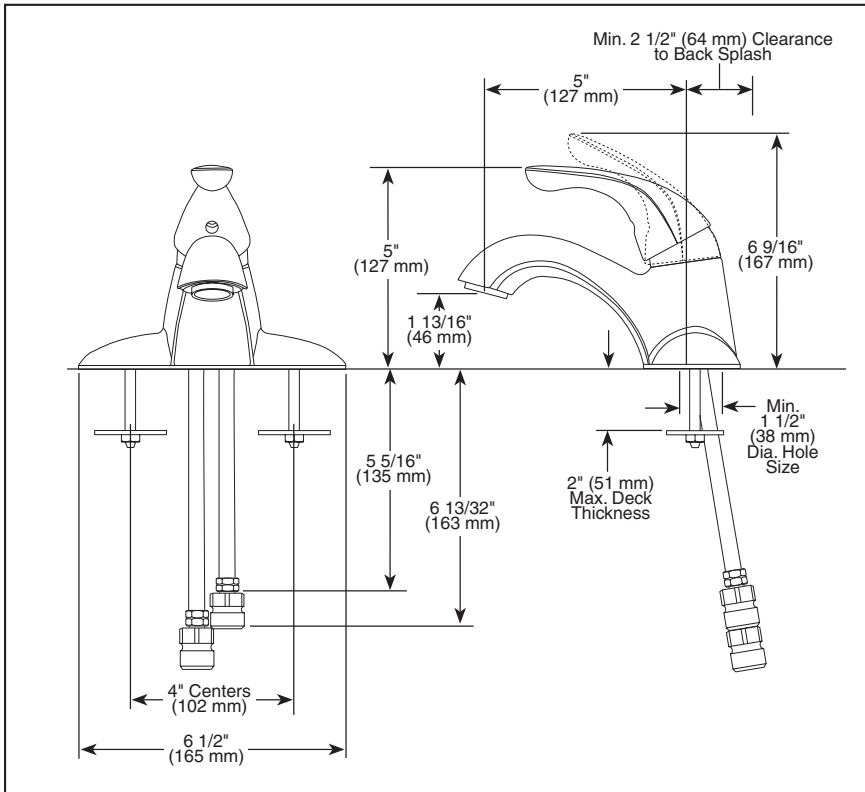


# Lavatory Faucets

**HDF<sup>®</sup>**  
COMMERCIAL



Submitted Model No.: \_\_\_\_\_  
Specific Features: \_\_\_\_\_



- Single Handle
- 3 Hole Sink Applications
- 4" (102 mm) Centerset

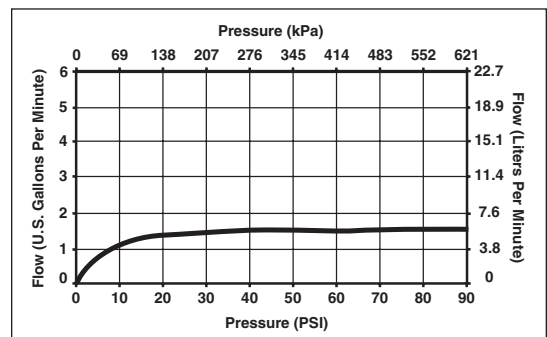
**STANDARD SPECIFICATIONS:**

- Single handle lavatory deck faucets for exposed mounting on three hole sinks.
- 4" (102 mm) centerset.
- All metal fabricated body.
- 5" (127 mm) spout.
- Vandal resistant aerator or spray outlet.
- Metal grid strainer (523).
- Metal pop-up drain (520).
- Lift rod hole (520).
- Vandal resistant lever handle. Red/blue colored graphics indicate hot/cold temperature.
- Control mechanism is the diamond embedded ceramic disc cartridge.
- Control handle shall return to the neutral position when valve is turned off.
- Adjustable handle limit stop.
- 3/8" O.D. straight, staggered copper supply tubes with 3/8" fittings.
- Available options for field conversion: 6" (152 mm) long elbow handle-red/blue colored graphics indicate hot/cold temperature. Order RP54687.
- Maximum 1.5 gpm flowrate @ 60 PSI (5.7 L/min @ 414 kPa).



**COMPLIES WITH:**

- ASME A112.18.1 / CSA B125.1
- ASME A112.18.2 / CSA B125.2
- ☑ Indicates ADA compliance to ICC/ANSI A117.1
- EPA WaterSense<sup>®</sup>
- Verified compliant with .25% weighted average Pb content regulations.



Delta reserves the right (1) to make changes in specifications and materials, and (2) to change or discontinue models, both without notice or obligation. Dimensions are for reference only. See current full-line price book or [www.specselect.com](http://www.specselect.com) for finish options and product availability.