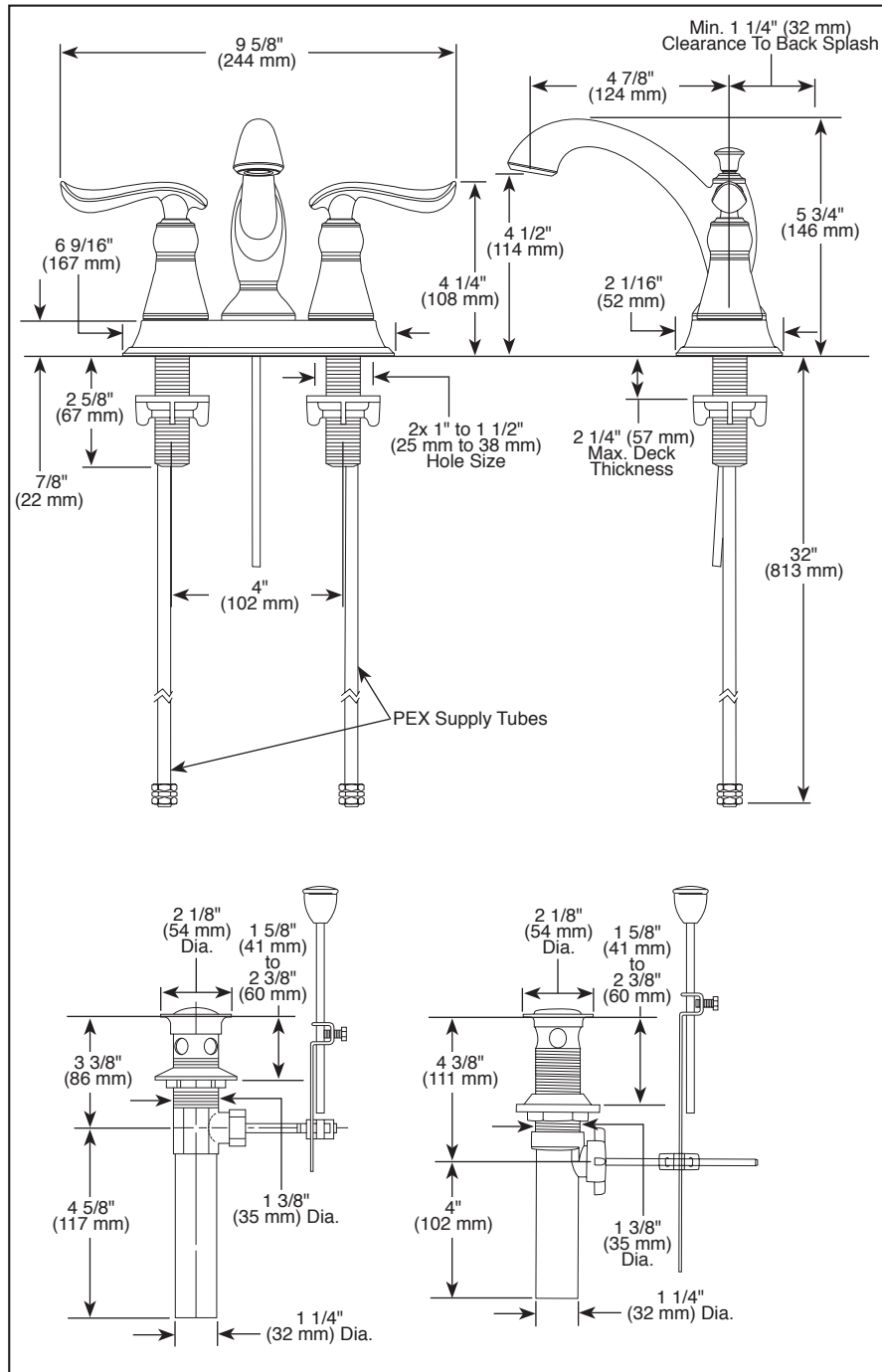


Submitted Model No.: \_\_\_\_\_  
 Specific Features: \_\_\_\_\_



▲ Designate Proper Finish Suffix

Delta reserves the right (1) to make changes in specifications and materials, and (2) to change or discontinue models, both without notice or obligation. Dimensions are for reference only. See current full-line price book or www.specselect.com for finish options and product availability.  
 DSP-L-2594-MPU-DST Rev. A



## LAVATORY FAUCETS

- Linden™ Collection
- Two Handle Deck Mount
- 3 Hole Sink Applications
- 4" Centerset
- Diamond Seal® Technology

### STANDARD SPECIFICATIONS:

- 4" (102 mm) centerset.
- 4 7/8" (124 mm) long, 5 3/4" (146 mm) high rigid spout.
- 1/4 turn handle stops.
- Lever handle. Control mechanism is a diamond embedded ceramic disc cartridge.
- Hot and cold stems are interchangeable.
- 3/8" O.D. straight pex supply tubes - 32" (813 mm) long.
- Models without "TP" suffix have metal drain with pop-up type fitting with plated flange and stopper.
- Models with "TP" suffix have polypropylene pop-up type drain fitting with plated metal flange and stopper cap.
- Maximum 1.5 gpm flowrate @ 60 PSI.
- Maximum mounting deck thickness is 2 1/4" (57 mm).

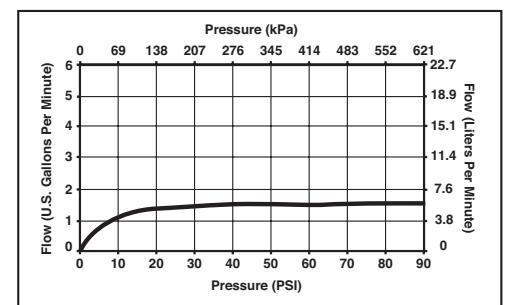
### WARRANTY

- Lifetime limited warranty on parts (other than electronic parts and batteries) and finishes: or, for commercial users, for 5 years from date of purchase.
- 5 year limited warranty on electronic parts (other than batteries); or, for commercial users, for 1 year from the date of purchase. No warranty is provided on batteries.



### COMPLIES WITH:

- ASME A112.18.1 / CSA B125.1
- ASME A112.18.2 / CSA B125.2
- Indicates compliance to ICC/ANSI A117.1
- EPA WaterSense®
- Verified compliant with .25% weighted average Pb content regulations.



55 E. 111th Street, Indianapolis, Indiana 46280  
 350 South Edgeware Road, St. Thomas, ON N5P 4L1  
 © 2012 Masco Corporation of Indiana