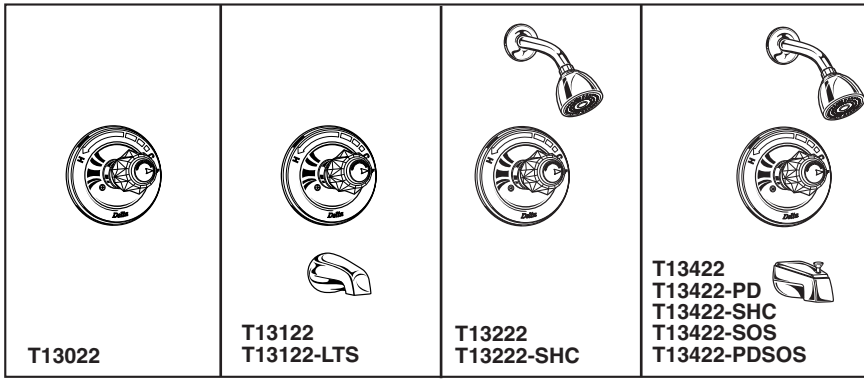
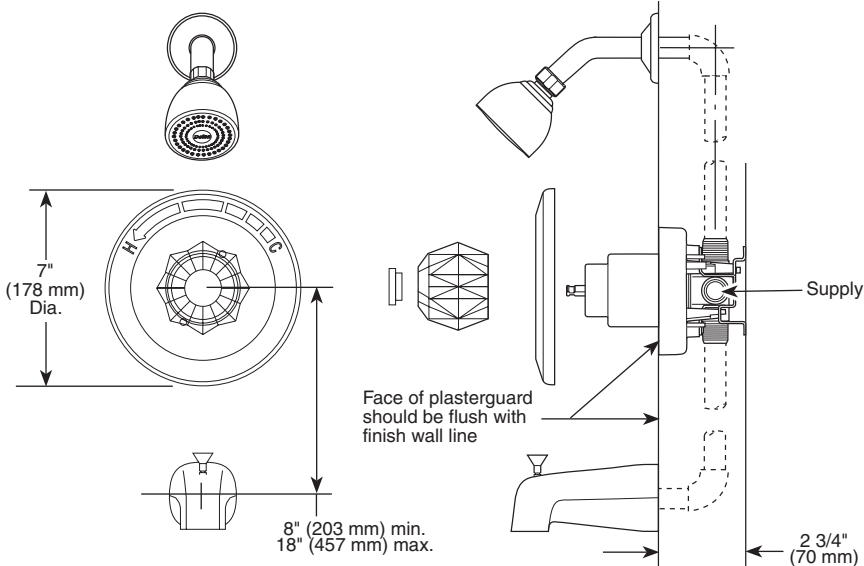




TUB AND SHOWER FAUCET TRIM



Submitted Model No.: _____
 Specific Features: _____



- Valve Only (T13022 Series)
- Tub Only (T13122 Series)
- Shower Only (T13222 Series)
- Tub/Shower (T13422 Series)

STANDARD SPECIFICATIONS:

- Monitor® 13 Series pressure balanced bath mixing valve with Scald-Guard®.
- Maintains a balanced pressure of hot and cold water even when a valve is turned on or off elsewhere in the system.
- For use with MultiChoice® Universal rough valve body. (R10000 Series)
- Back-to-back installation capability.
- Solid brass fabricated body.
- Temperature only controlled with handle. Clear knob handle with red/blue indicators.
- Field adjustable to limit handle rotation into hot water zone.
- 120° maximum handle rotation.
- All parts replaceable from the front of the valve.
- Models with "LTS" Suffix supplied with 7" long non-diverter slip on spout (RP36498).
- Models with "SOS" suffix supplied with slip-on spout for 1/2" C.W.T.
- Models with "PD" suffix supplied with 6" long pull-down diverter spout (RP17453).
- **Note:** Product will be marked with flow rate of specific showerhead.

WARRANTY

- Lifetime Faucet and Finish Limited Warranty to the original consumer purchaser to be free from defects in material and workmanship.
- 5 Year Limited Warranty for usage in all industrial, commercial and business applications.

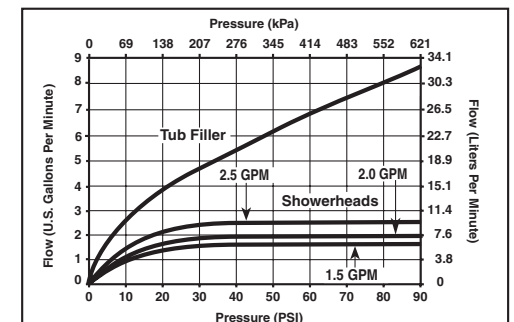
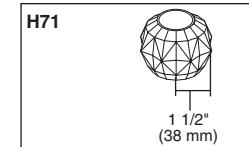
COMPLIES WITH:

- ASME A112.18.1 / CSA B125.1
- ASSE 1016



RP5836 (Slip-On) RP17453▲ (Non-Metallic) RP17454▲ (Metallic)	
RP5834 RP19820▲ (Slip-On)	
RP5833	
RP36498▲ (Slip-On Metallic)	
RP19895	

RP38357 Touch-Clean® Showerhead 2.0 GPM	
RP40595▲ Touch-Clean® Showerhead 2.5 GPM	
RP46384▲ H₂O Showerhead 1.5 GPM	



▲ Designate Proper Finish Suffix

Delta reserves the right (1) to make changes in specifications and materials, and (2) to change or discontinue models, both without notice or obligation. Dimensions are for reference only. See current full-line price book or www.specselect.com for finish options and product availability.



55 E. 111th Street, Indianapolis, IN 46280
 395 Matheson Blvd. E., Mississauga, ON L4Z 2H2
 © 2009 Masco Corporation of Indiana