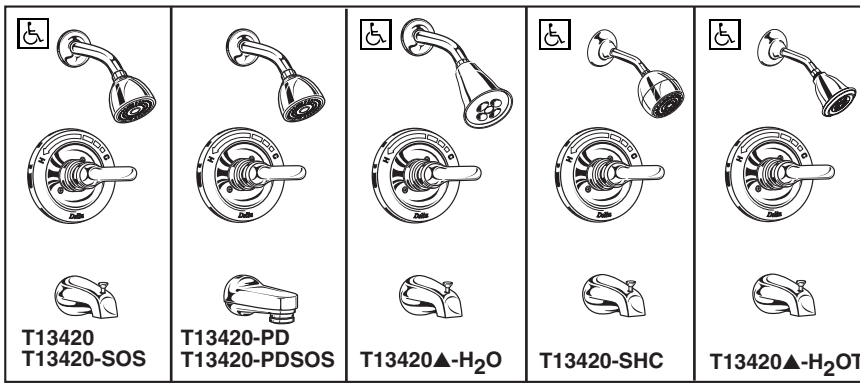




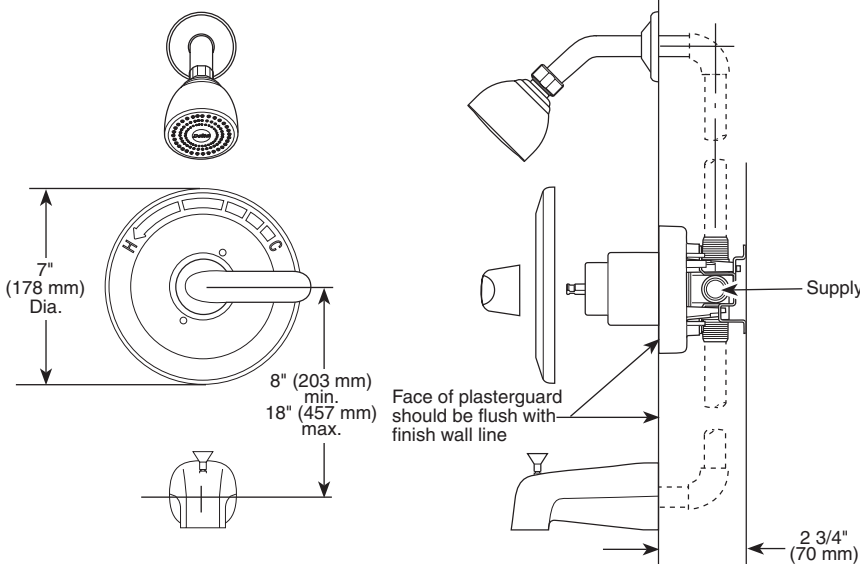
TUB AND SHOWER FAUCET TRIM

■ Tub/Shower (T13420 Series)



Submitted Model No.: _____

Specific Features: _____



STANDARD SPECIFICATIONS:

- Monitor® 13 Series pressure balanced bath mixing valve with Scald-Guard®.
- Maintains a balanced pressure of hot and cold water even when a valve is turned on or off elsewhere in the system.
- For use with MultiChoice® Universal rough valve body. (R10000 Series)
- Back-to-back installation capability.
- Solid brass fabricated body.
- Temperature only controlled with metal lever handle.
- Field adjustable to limit handle rotation into hot water zone.
- 120° maximum handle rotation.
- All parts replaceable from the front of the valve.
- Models with "SOS" suffix supplied with slip-on spout for 1/2" C.W.T.
- Models with "PD" suffix supplied with 6" long pull-down diverter spout (RP17453).
- **Note:** Product will be marked with flow rate of specific showerhead.

WARRANTY

- Lifetime Faucet and Finish Limited Warranty to the original consumer purchaser to be free from defects in material and workmanship.
- 5 Year Limited Warranty for usage in all industrial, commercial and business applications.

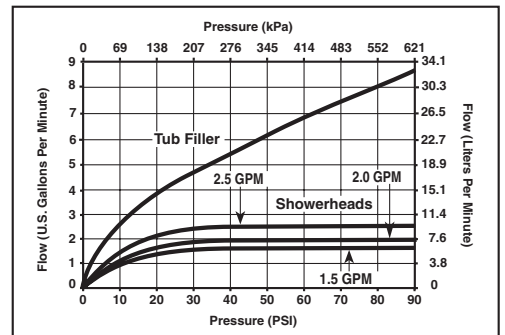


COMPLIES WITH:

- ASME A112.18.1 / CSA B125.1
- ASSE 1016
- Indicates compliance to ICC/ANSI A117.1

<p>RP5836 (Slip-On) RP17453▲ (Non-Metallic) RP17454▲ (Metallic)</p> <p>5 1/4" (133 mm) 2 1/2" (64 mm)</p>
<p>RP5834 RP19820▲ (Slip-On)</p> <p>5" (127 mm) 2 1/2" (64 mm)</p>
<p>RP19895</p> <p>5" (127 mm) 2 1/2" (64 mm)</p>
<p>H79</p> <p>3 3/8" (86 mm)</p>
<p>RP54752▲ 1.5 GPM H₂O Showerhead</p> <p>4 1/2" (114 mm) 3 7/8" (98 mm)</p>

<p>RP46384▲ H₂O Showerhead 1.5 GPM</p> <p>4 3/4" (121 mm) 3 1/4" (83 mm)</p> <p>Full Spray</p>
<p>RP40594▲ Touch-Clean® Showerhead 2.5 GPM</p> <p>4 3/4" (121 mm) 3 3/4" (95 mm)</p> <p>Full Spray Massage Spray Soft Aerated Spray</p>
<p>RP38357 Touch-Clean® Showerhead 2.0 GPM or 2.5 GPM</p> <p>2 3/4" (70 mm) 2 5/8" (66 mm)</p> <p>Full Spray</p>



55 E. 111th Street, Indianapolis, Indiana 46280
395 Matheson Blvd. E., Mississauga, ON L4Z 2H2
© 2009 Masco Corporation of Indiana

▲ Designate Proper Finish Suffix

Delta reserves the right (1) to make changes in specifications and materials, and (2) to change or discontinue models, both without notice or obligation. Dimensions are for reference only. See current full-line price book or www.specselect.com for finish options and product availability.