



HDF®
COMMERCIAL

DEMD Series Electronic Lavatory Faucets (Infrared)

SPECIFICATION: (example)

- Deck mount electronic lavatory faucet with above deck electronics
- Sensor detects user's hand to activate water flow
- 6 1.5V "AA" Batteries (included)
- Adjustable maximum run time
- Adjustable sensor range
- Red light indicator blinks when battery is low
- 0.5 gpm (1.9 L/min) aerator

DEMD-301 SERIES

- Electronic faucet for cold or pre-mixed water

MODEL #	FINISH
DEMD-301LF	Chrome
DEMD-301LF-NS	Nickel Stainless

DEMD-311 SERIES

- Electronic faucet with mixer to adjust temperature

MODEL #	FINISH
DEMD-311LF	Chrome
DEMD-311LF-NS	Nickel Stainless

OPERATION

Sensing Range:

- Factory set to 8.0" ± 1.5" (200 mm ± 40 mm)
- Adjustable from 3.15" to 11.8" (80 mm to 300 mm)

Maximum Run Time:

- 90 seconds, adjustable with remote control

OPTIONAL ACCESSORIES (Order Separately)

060967A

- Remote Control (Optional) – allows adjustment of sensor range, maximum run time, delayed close time, temporary shutoff for cleaning and factory settings reset

060585A

- Optional 4" forged coverplate (for Chrome finish models only)

060961A (Chrome)

060961ANS (Nickel Stainless)

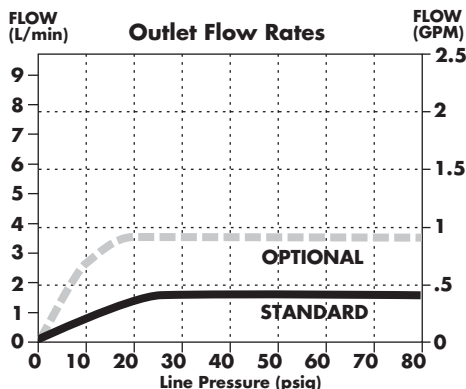
- Optional 1.0 gpm (3.8 L/min) aerator

061118A (Chrome)

061118ANS (Nickel Stainless)

- Optional 1.5 gpm (5.7 L/min) Careguard® laminar outlet

FLOW RATE vs PRESSURE

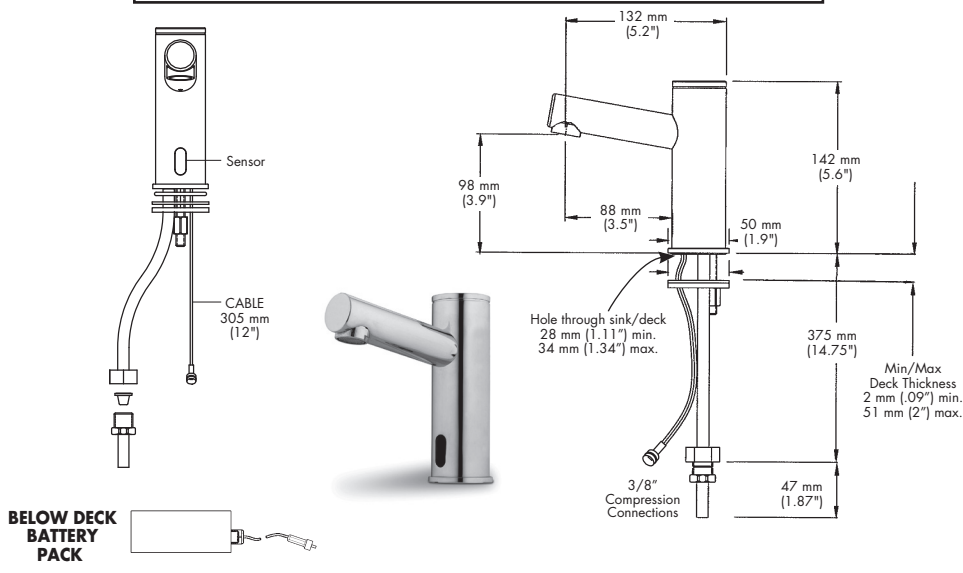


Approvals:

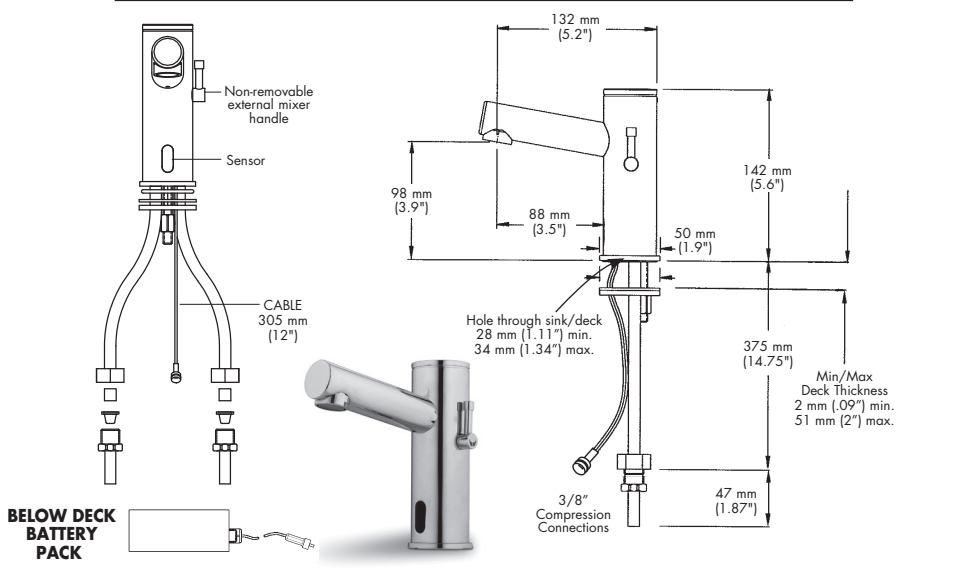
- IAPMO certified
- Complies to ASME A112.18.1/CSA B125.1
- Indicates ADA compliance to ICC/ANSI A117.1/ADA
- Verified compliant with 0.25% weighted average Pb content regulations (Contact Delta Representative for State and/or Local Approvals.)



DEMD-301LF (BATTERY OPERATED WITH NO MIX)



DEMD-311LF (BATTERY OPERATED WITH USER MIX)



HARDWIRE CONVERSION OF DEMD-300 SERIES

Requires SEPARATE order of either:

- (A)** One 060958A DEMD plug in transformer (120VAC to 9VDC) **OR** **(B)** One 060704A hardwire 20VA transformer (120VAC to 24VAC)
PLUS One 060974A DEMD converter (24VAC to 9VDC)

Note: Measurements may vary ± 6mm (0.25")

Refer to www.specselect.com for individual models.
Note: Use this page as a product submittal sheet.

Delta reserves the right (1) to make changes in specifications and materials, and (2) to change or discontinue models, both without notice or obligation. Dimensions are for reference only. See current full-line price book or www.specselect.com for finish options and product availability.