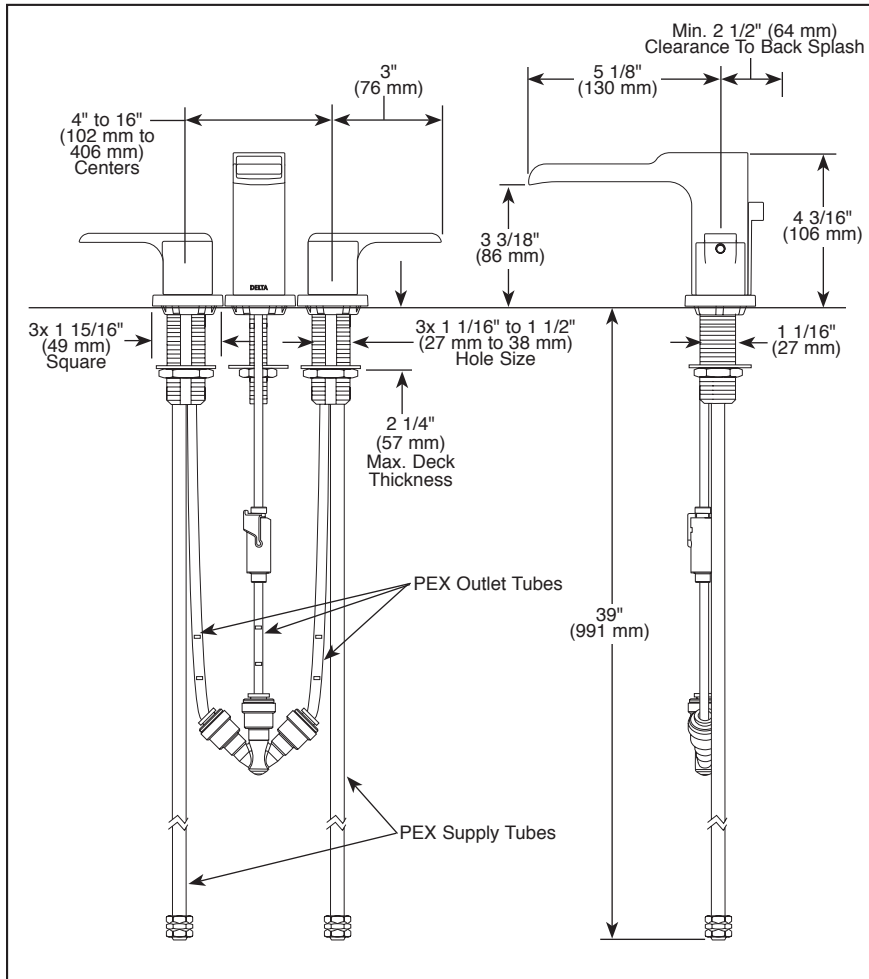


3568LF-▲MPU

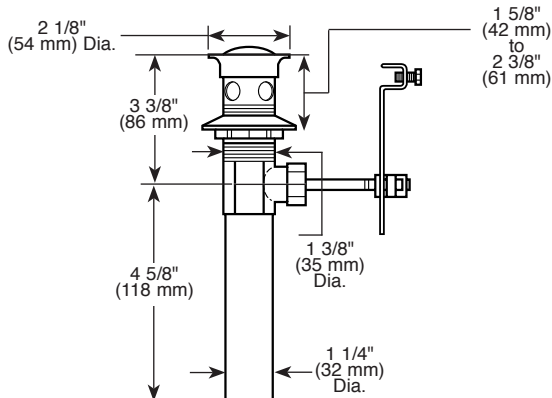


Submitted Model No.: \_\_\_\_\_

Specific Features: \_\_\_\_\_



**RP26533▲**  
Metal Pop-Up



▲ Designate proper finish suffix

Delta reserves the right (1) to make changes in specifications and materials, and (2) to change or discontinue models, both without notice or obligation. Dimensions are for reference only. See current full-line price book or [www.deltafaucet.com](http://www.deltafaucet.com) for finish options and product availability.

DSP-L-3568LF-MPU Rev. A



## LAVATORY FAUCETS

- Ara™ Bath Collection
- Two Handle Widespread Deck Mount
- 3 Hole Sink Applications
- 4"-16" Centers
- Diamond Valve

### STANDARD SPECIFICATIONS:

- Solid brass fabricated end valves.
- Widespread - 4" (102 mm) to 16" (406 mm) centers.
- 5 1/8" (130 mm) long, 4 3/16" (106 mm) high, rigid spout.
- 1/4 turn stops.
- Hot and cold stems are interchangeable.
- Lever handles. Control mechanism is the diamond embedded ceramic disc cartridge.
- Red/blue button covers on handle for hot/cold identification.
- 3/8" O.D. straight pex supply tubes, 39" (991 mm) long.
- Models with suffix "MPU" have metal drain with pop-up type fitting with plated flange and stopper.
- Maximum flow rate 1.32 gpm @ 60 PSI.
- Maximum mounting deck thickness is 2 1/4" (57 mm).

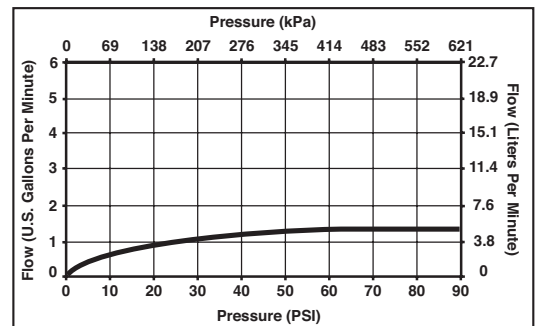
### WARRANTY

- Lifetime limited warranty on parts (other than electronic parts and batteries) and finishes; or, for commercial users, for 5 years from date of purchase.
- 5 year limited warranty on electronic parts (other than batteries); or, for commercial users, for 1 year from the date of purchase. No warranty is provided on batteries.



### COMPLETE VALVE COMPLIES WITH:

- ASME A112.18.1 / CSA B125.1
- ASME A112.18.2 / CSA B125.2
- ASME A112.18.6
- Indicates compliance to ICC/ANSI A117.1
- EPA WaterSense®
- Verified compliant with .25% weighted average Pb content regulations.



55 E. 111th Street, Indianapolis, Indiana 46280  
350 South Edgeware Road, St. Thomas, ON N5P 4L1  
© 2013 Masco Corporation of Indiana