

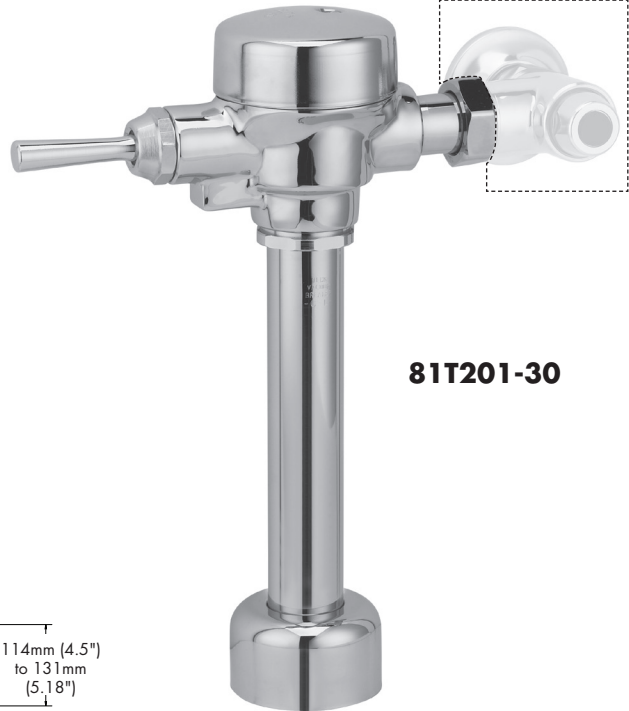
Specification: (example)

**(FOR 1-1/2" TOP INLET CLOSET FIXTURE)
LESS STOP, WITH MODIFIED TAIL TO FIT SLOAN®/ZURN® STOP**

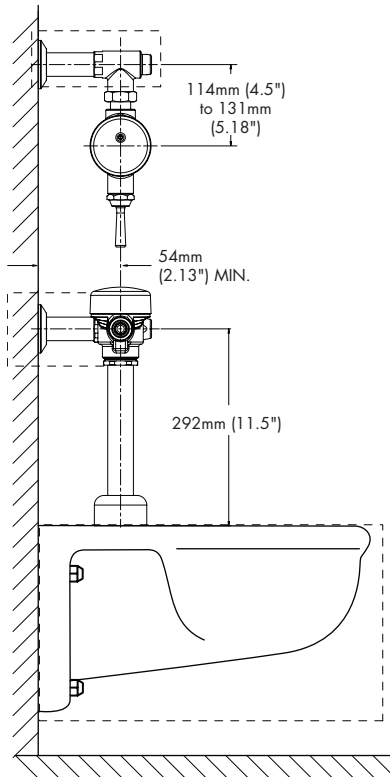
- Quiet action, TECK® exposed diaphragm flush valve
- Chloramine resistant diaphragm
- Forged brass diaphragm retainer
- Renewable seat
- Polished chrome plated finish
- **External water conserving flush volume adjustment,** (except -48 and -6 models) factory set at 60 PSI to 6 litre (1.6 US gal.)
- Vandal resistant cover screw
- Metal "non hold open" handle
- Adjustable 114mm (4.5") to 131mm (5.18") inlet/valve outlet centers
- Vacuum breaker
- Spud flange and concealed spud nut

WITH 292mm (11-1/2") LENGTH:

- 81T201-30**
As above
- 81T201-30-6**
Same as 81T201-30,
but **Not Field Adjustable**
- 81T201-30-48**
Same as 81T201-30, but factory set at
60 PSI to 4.8 litre (1.27 US gal.),
Not Field Adjustable



81T201-30



**Items shown outlined
by dotted lines supplied
by others.**



Approvals:

- CSA certified
 - Complies to ASSE 1037
 - ADA compliant and meets Handicapped Accessibility Standard ASME A117.1 of less than 5 lbs. operating force.
- (Contact Delta Representative for State and/or Local Approvals.)



Engineer/Architect Approval

Model Specified:

Approval:

Date:

Note: Measurements may vary ± 6mm (0.25")

Note: For high and low pressure applications, please see page FEA-81T High Water Pressure note for more details.
Verify flow requirements with bowl manufacturer.