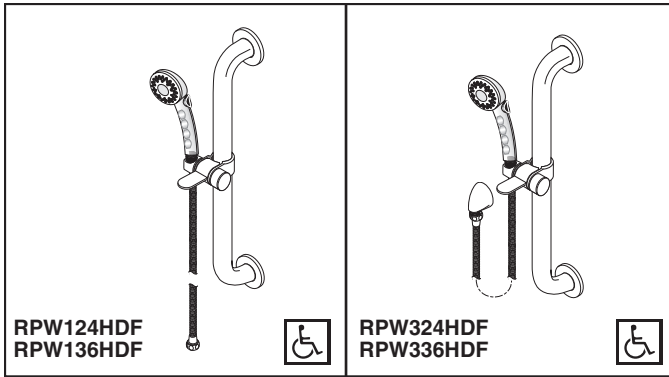


# Handshowers

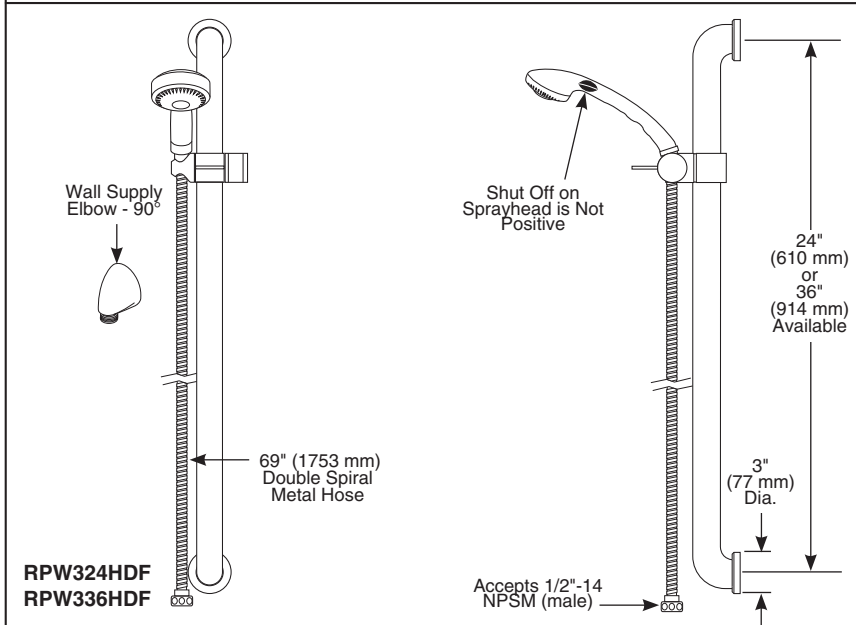
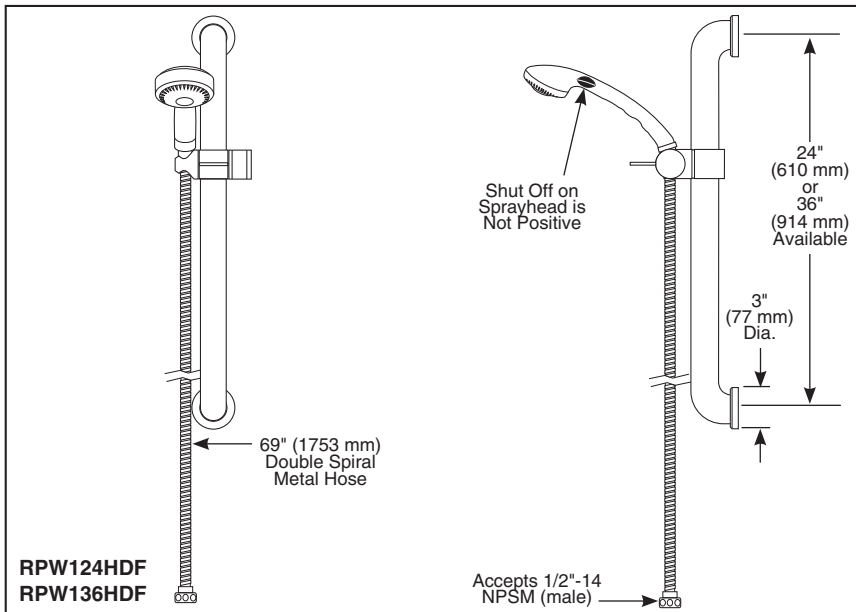
**HDF<sup>®</sup>**  
COMMERCIAL



- 24" (610 mm) Slide Bar (RPW124HDF, RPW324HDF)
- 36" (914 mm) Slide Bars (RPW136HDF, RPW336HDF)
- 90° Wall Supply Elbow (RPW324HDF, RPW336HDF)

Submitted Model No.: \_\_\_\_\_

Specific Features: \_\_\_\_\_

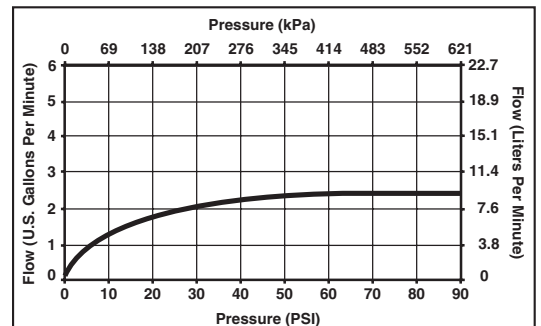


**STANDARD SPECIFICATIONS:**

- Personal white ABS hand held shower with fixed spray with push button on-off control, not a positive shut-off.
- 69" (1753 mm) double spiral metal hose.
- 24" (610 mm) and 36" (914 mm) stainless steel finish slide bars.
- ADA compliant adjustable slide mechanism.
- 90° chrome plated wall supply elbow, 1/2" IPS female inlet; 1/2"-14 NPSM male threaded outlet. (Models RPW324HDF and RPW336HDF only).
- 2.5 gpm @ 80 psi (9.5 L/min @ 552 kPa) from sprayhead.
- Back flow protection in handshower provided by two integral certified check valves

**COMPLIES WITH:**

- ASME A112.18.3 and ASME A112.18.1
- CSA B125.1
- ☑ Indicates ADA compliance to ICC/ANSI A117.1



Delta reserves the right (1) to make changes in specifications and materials, and (2) to change or discontinue models, both without notice or obligation. Dimensions are for reference only. See current full-line price book or www.specselect.com for finish options and product availability.