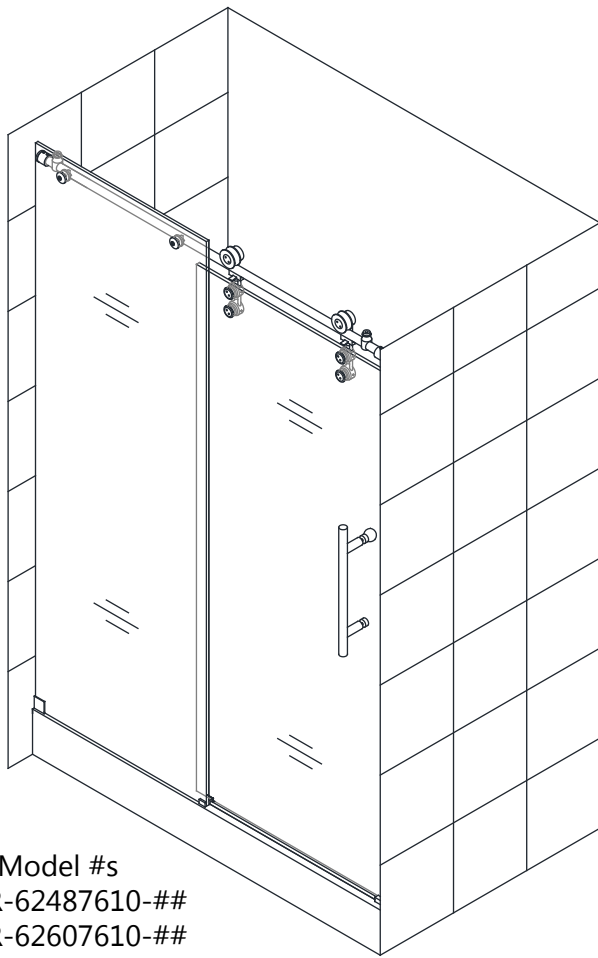


ENIGMA-Z

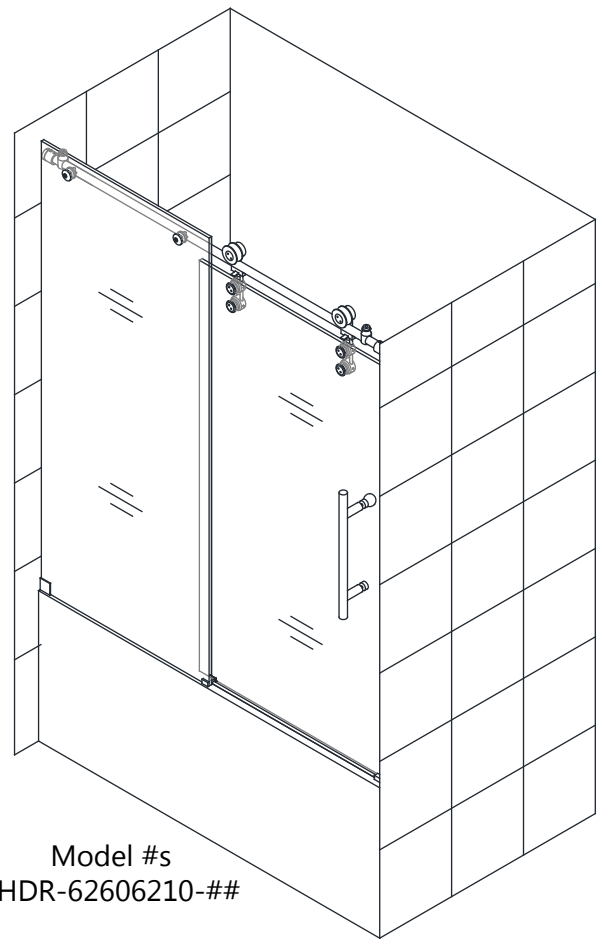
SHOWER DOOR & TUB DOOR INSTALLATION INSTRUCTIONS

IMPORTANT

DreamLine® reserves the right to alter, modify or redesign products at any time without prior notice. For the latest up-to-date technical drawings, manuals, warranty information or additional details please refer to your model's web page on **DreamLine.com**



Model #s
SHDR-62487610-##
SHDR-62607610-##



Model #s
SHDR-62606210-##

##=finish
07- Brushed Stainless Steel
08- Polished Stainless Steel

Right hand door installation shown



Questions?

Please Call **DreamLine** Customer Support: **1-855-831-2126**
Hours of Operation M-F 8AM - 7PM EST and Saturday 9AM - 5PM EST

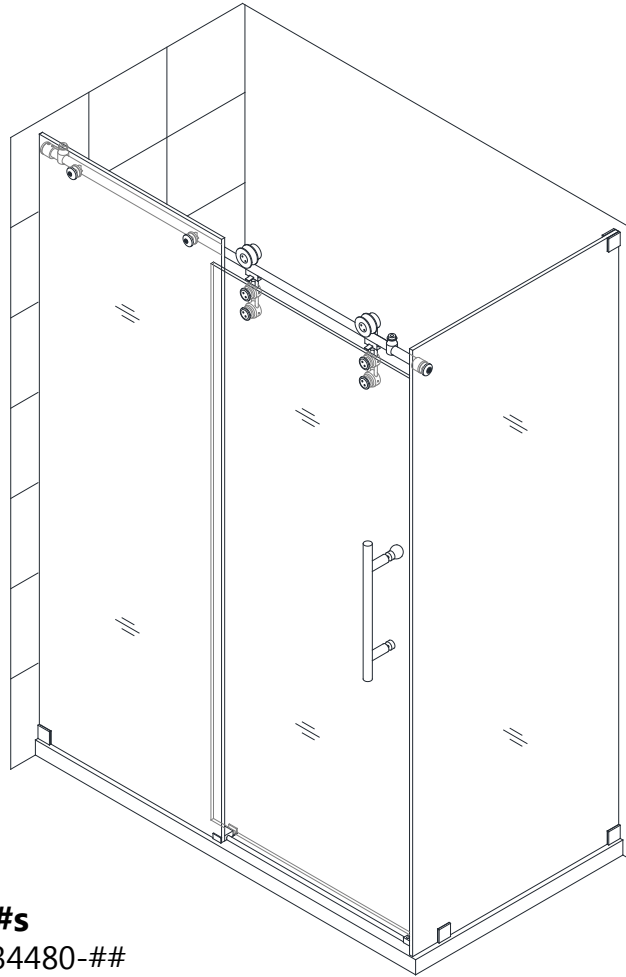
Support@DreamLine.com



For more information about DreamLine® Shower Doors & Tub Doors please visit **DreamLine.com**

NOTE: This manual will describe the installation of the single threshold model of the Enigma-Z.

For the ENIGMA-Z Enclosure installation, please use the manual that is packaged with the return panel glass.



MODEL #s

SHEN-6234480-##

SHEN-6234600-##

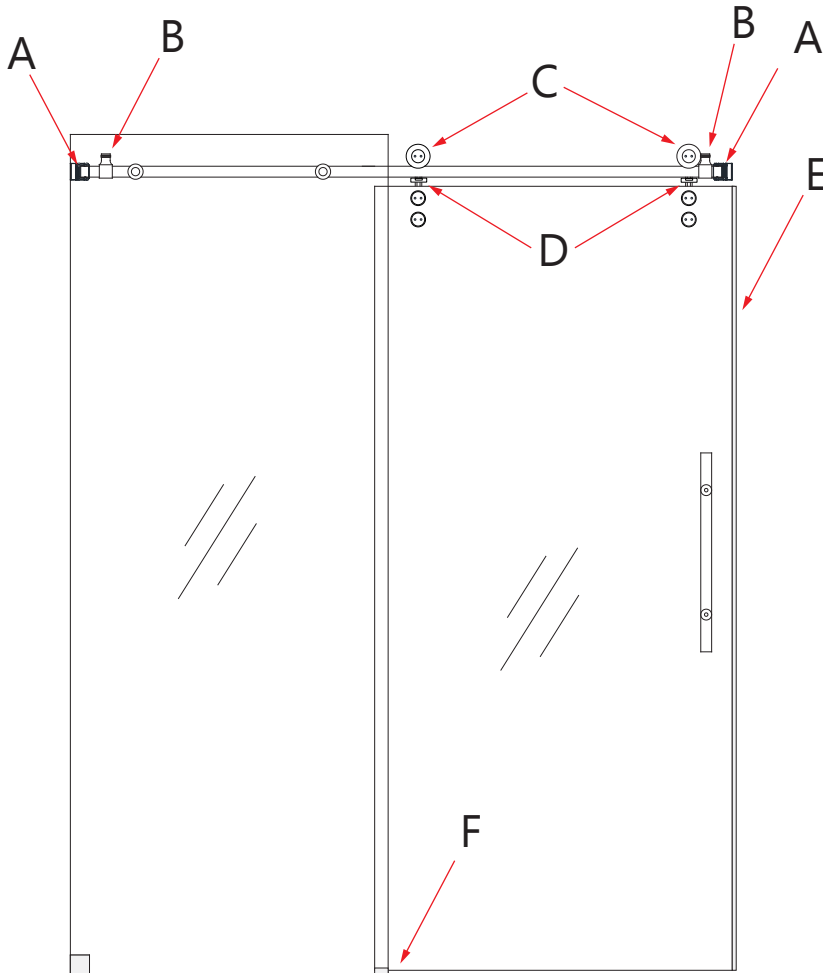
When installing one of the enclosure models, use the manual that is packed with the return panel glass.



This model is treated with DreamLine's exclusive ClearMax™ Glass technology. This is a specially formulated coating that prevents the build up of soap and water spots.

Install the surface with the ClearMax™ label towards the inside of the shower. Please note that depending on the model, the glass may be coated on either one or both surfaces.

For best results, squeegee the glass after each use and dry with a soft cloth.



Right hand door installation shown as an example



**IMPORTANT INFORMATION
REGARDING THE INSTALLATION
OF THIS SHOWER DOOR**

A **Guide Rail Brackets** must be firmly attached to the wall. **Installation into a stud is strongly recommended.** All of the guide rail bracket set screws must be tightened.

B **Thread Lock** must be applied to both stopper set screws. **Panel-side stopper** must be installed into the pre-drilled stopper hole in the upper guide rail. **Door-side stopper** must be installed at the proper position to stop the door from contacting the wall.

C **Roller Wheel Assembly Set Screws** must be tightened

D **Roller Guards** must be positioned and secured within 1/16" of Upper Guide Rail

E **Bumper Vinyl Seal** must be installed on the closing edge of the door glass

F **The Guide Block** must be screwed to the **threshold** and installed square to the panel glass and door glass. Installing the guide block crooked may damage the bottom edge of the door glass and lead to breakage.

PLEASE READ THE ENCLOSED INSTALLATION MANUAL FOR DETAILS REGARDING PROPER INSTALLATION.

THE LATEST VERSION OF THE INSTALLATION MANUAL IS AVAILABLE TO VIEW OR PRINT ON DREAMLINE.COM

Preparation

1. Prior to installation, examine all boxes and packages for shipping damage and compare the piece count with your packing slip. After opening all boxes and packages read this introduction carefully. Check that all of the needed parts are included in the package by checking off the components on the "Detailed Diagram of Shower Door Components". If the unit has been damaged, has a finishing defect, or has missing parts, please contact our customer support department within **3 business days** of the delivery date. **Please note that DreamLine® will not replace any damaged products or missing parts free of charge after 3 business days or if the product has been installed.** Feel free to contact DreamLine® if you have any questions, and please provide an order number, job name or other proof of purchase to help identify the original order.
2. Please note that you should consult your local building codes with questions on installation compliance standards. Building and plumbing codes may vary by location, and **DreamLine® is not responsible for code compliance standards** for your project and will not accept any returns.
3. If this unit is going to be installed in new construction, please install all of the required plumbing and drainage before installing the shower. **Use a competent and licensed (if required by local code) plumber for all plumbing installation.**
4. Please make sure that prior to beginning the installation, the surfaces are leveled and solid and will be able to support the total weight of the unit. Also make sure the walls are at right angles. Irregular installation surface level, radius corners or improper angle of side walls will result in serious problems for your installation. Please, note that some adjustments and drilling might be necessary during the installation process.
5. Please protect all primary surfaces of the product during installation. Never set your glass down directly onto a tile floor. Leave corner protectors in place until necessary to remove them. Always use a piece of wood or cardboard to protect the bottom edge and corners of the glass prior to and during installation.
6. This unit must be installed upon a finished threshold and against finished walls.
7. This model has NO adjustment for out-of-plumb wall conditions. Verify that your walls are plumb before proceeding with the installation.
8. This model requires that you drill into the threshold for proper installation.
9. Take extra care during installation when you set your glass directly onto the threshold as instructed.
10. This door requires a minimum **2-3/8"** of flat threshold space for installation.



Please note that step #9 calls for installation of the door to the wall using anchors. However, the manufacturer strongly recommends installing these heavy doors to the studs or to pre-installed 2x6" wood reinforcements behind the wall.

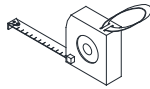
Attention: This door is extremely heavy and requires professional installation and 2 installers.

NOTE: The Enigma Series doors and enclosures are reversible for left or right-hand installation. This manual will show the right-hand door installation. For a left-hand installation, simply begin on the opposite wall and reverse the orientation of the parts as necessary. Shower height model shown. Tub height installation follows the same steps.

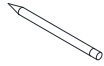
Tools



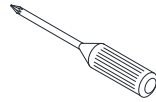
Level



Tape Measure



Pencil



Phillips Screwdriver



Drill bit (Ø=3/8")



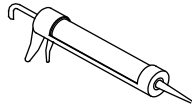
Drill bit (Ø=5/16")



Drill bit (Ø=1/8")



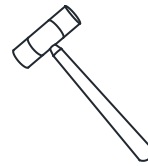
Power Drill



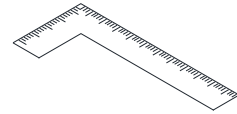
Silicone



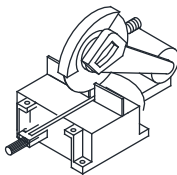
Painter's Tape



Soft Head Hammer

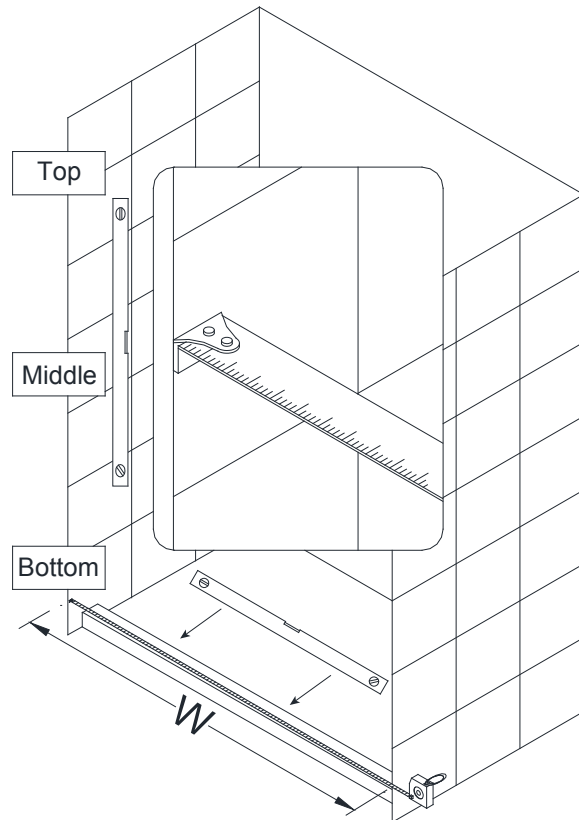


Carpenter's Square



Chop saw and Hacksaw

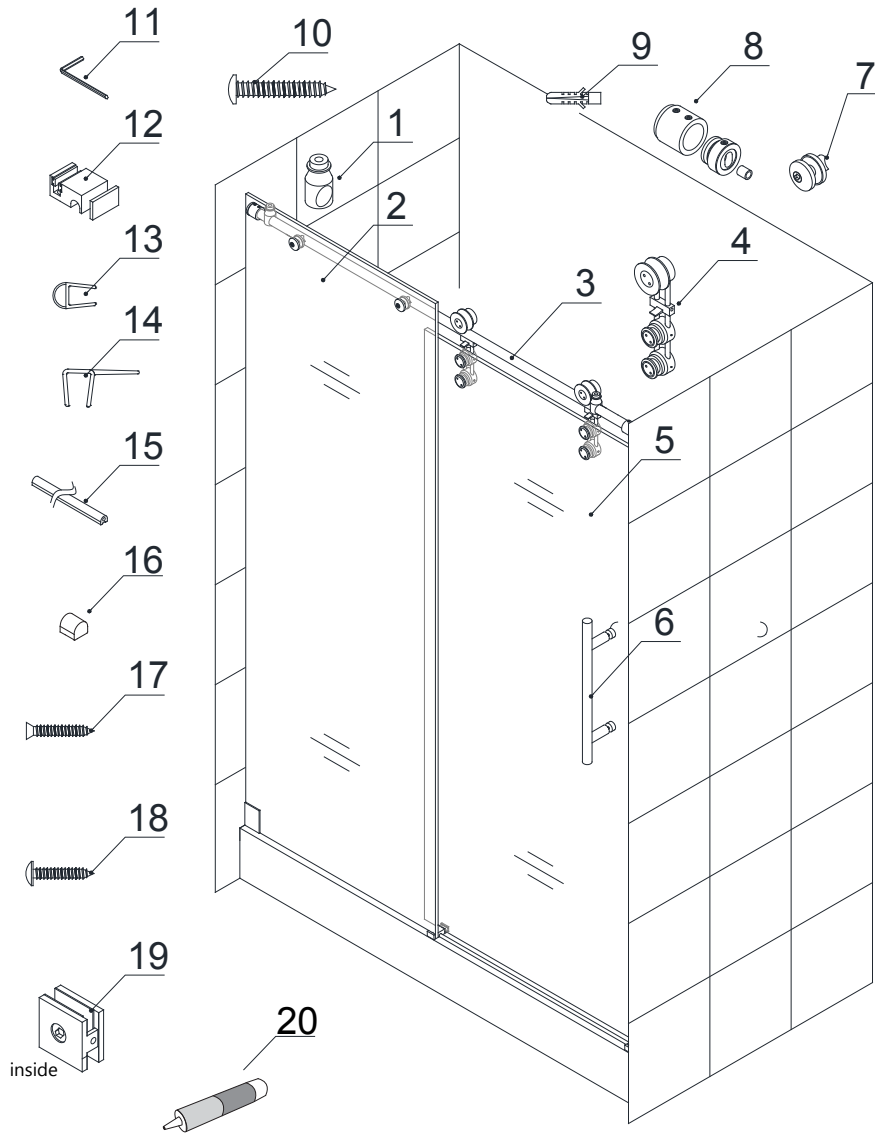
Tip: Measure the finished opening before proceeding with the installation to be sure that the correct model size has been ordered.



NOTE: Unpack your unit carefully and inspect it. Lay it out and identify all parts using the detailed diagram and packing list in this manual as a reference. Before discarding the carton, check for small hardware bags that may have fallen to the bottom of the box. If any parts are damaged or missing, please contact DreamLine® for replacement. The shipping boxes may contain extra parts not used in your model configuration.

NOTE: Retain these installation instructions for future reference.

Detailed Diagram of Shower Door Components



CLEARMAX™
 The glass surface with the ClearMax™ label must be installed to face inside of the shower

Parts List

Part #	Description	Qty	Part #	Description	Qty
01	Door Stopper	2 pcs	11	Hex wrench 3mm, 4 mm, 5mm	2 pcs
02	Stationary Glass	1 pc	12	Guide block (with caps)	1 pc
03	Upper guide rail	1 pc	13	Bumper seal strip	1 pc
04	Roller assemblies	2 pcs	14	Anti-water strip	2 pcs
05	Door Glass	1 pc	15	Anti-splash guard	1 pc
06	Handle	1 pc	16	Anti-splash guard cap	1 pc
07	Glass bracket	2 pcs	17	Countersunk screw ST4.2 x 25	3 pcs
08	Guide rail bracket	2 pcs	18	Truss head screw ST4.2x55	1 pc
09a	Wall anchor Ø 3/8"	2 pcs	19	Wall bracket	1 pc
09b	Wall anchor Ø 5/16"	1 pc	20	Thread lock adhesive	1 pc
10	Large Truss head screw ST6x65	2 pcs			

Installation steps

1. Measure the distance between the two finished walls at the top, middle and bottom. This distance is marked as "**W**". Also check the threshold for level and the walls for plumb. Use the "**W**" dimension at the model height to cut the **Upper Guide rail (#03)** to size for your opening.

See **Fig. 1** for details

Note: The minimum threshold requirement for the ENIGMA-Z is **2-3/8" of flat threshold space**.

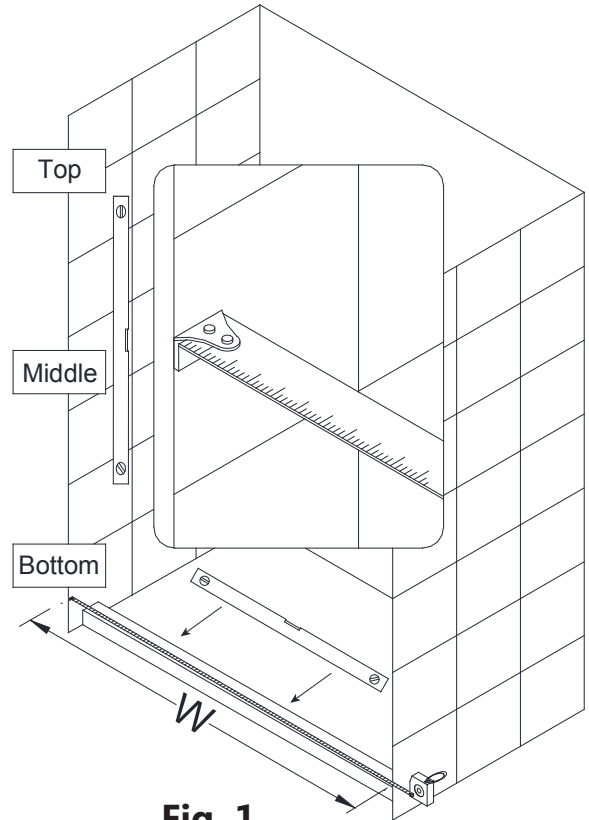
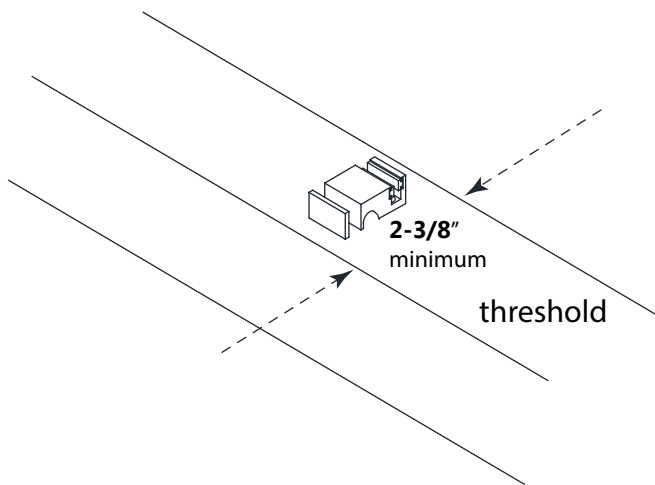


Fig. 1

2. The **Upper Guide rail (#03)** has been pre-cut for your model width of: 48" or 60" (Please Note: the actual rail is shorter than the model width by design).

You will need to cut the **Upper Guide rail (#03)** from the door end which is farther from the **Glass bracket (#07)** holes.

The length to cut off will be **L**:

Model Width – opening **W** = cut off length **L**

FOR EXAMPLE

If your model width is 48" and your finished opening is 46", then you will need to cut 2" off of the rail from the door end.

Example: 48" – 46" = 2" cut off

See **Fig. 2** for details

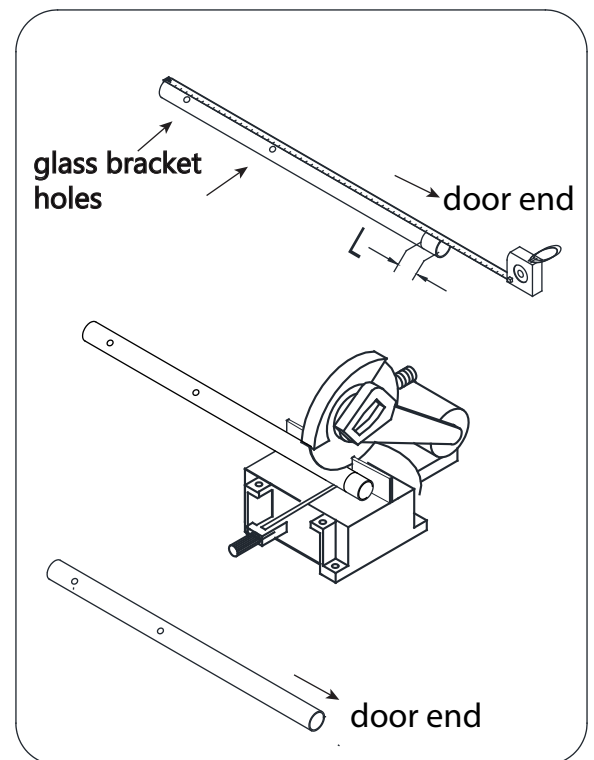


Fig. 2

3. Attach the **Upper guide rail (#03)** to the **Stationary glass (#02)** with the **Glass brackets (#07)** and tighten the bolts into the pre-drilled holes in the **Upper guide Rail (#03)**. Make sure both adjustment disks are installed in the same direction with the high spot towards the door end (see ***NOTE** below). Make sure the guide rail is parallel with the top edge of the glass (see Fig. 4).

(EQ=Equal distance)

Slide the **Door stoppers (#01)** onto each end of the **Upper guide rail (#03)** and secure them temporarily using the **4mm hex wrench (#11)**.

Slide the **Guide Rail brackets (#08)** onto each end of the **Upper guide rail (#03)** and temporarily secure them as well. Next, assemble the **Wall Bracket (#19)** onto the bottom corner of the **Stationary glass (#02)** as shown in **Fig. 3.5**. Use the provided gaskets to protect the glass.

See **Fig. 3** and **Fig. 4** for details

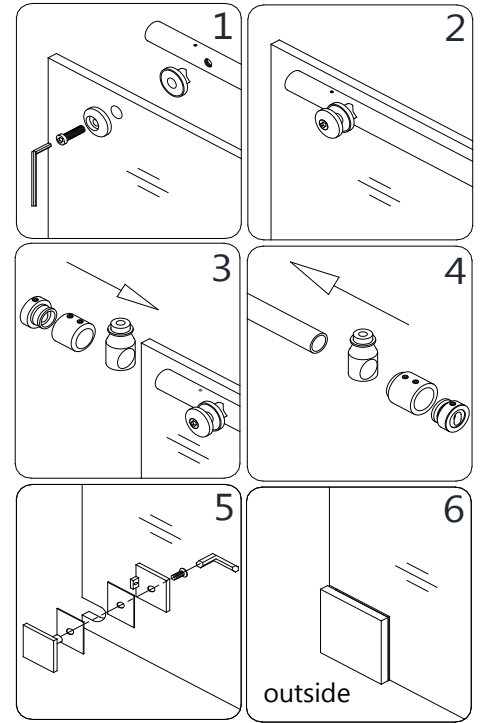


Fig. 3

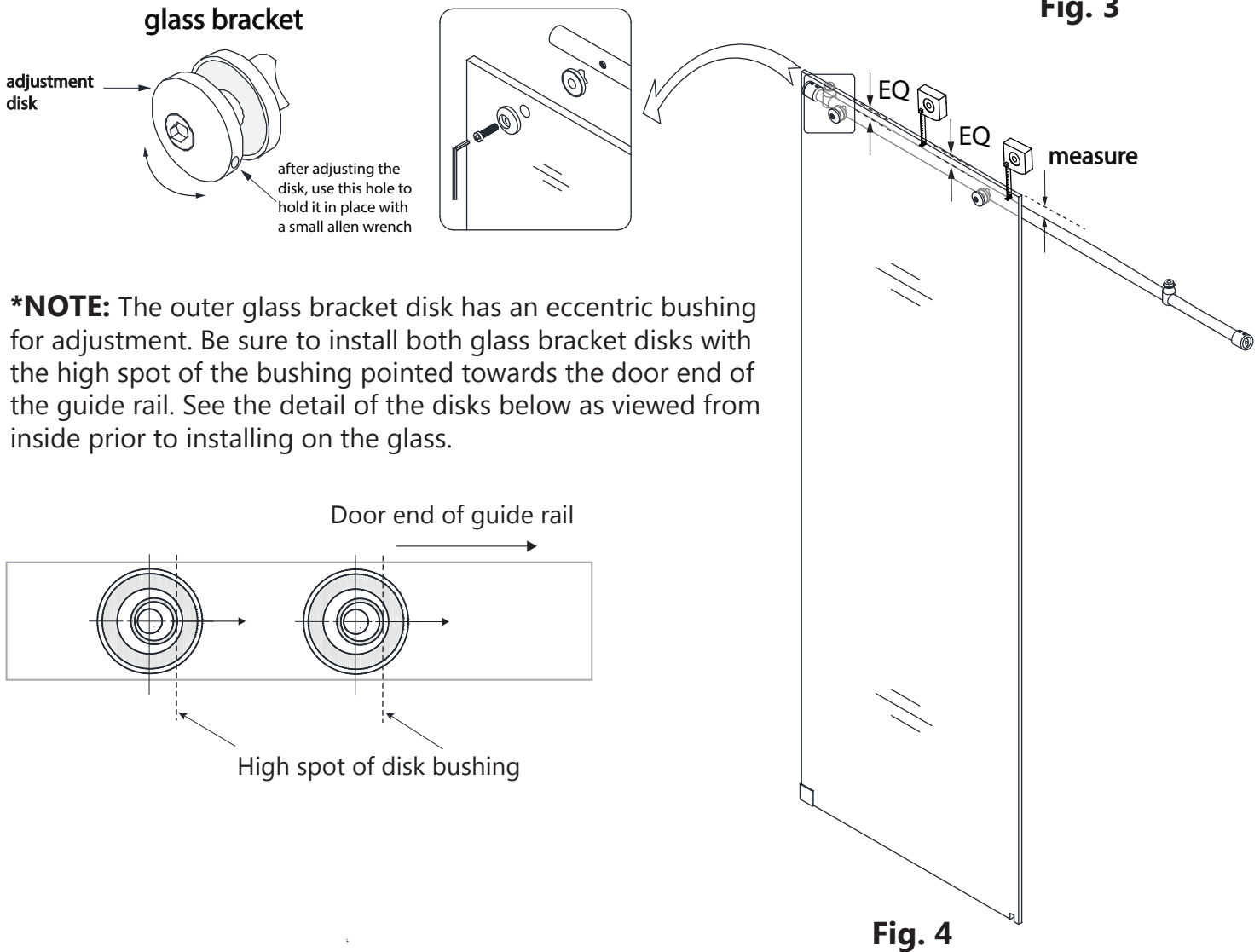


Fig. 4

***NOTE:** The outer glass bracket disk has an eccentric bushing for adjustment. Be sure to install both glass bracket disks with the high spot of the bushing pointed towards the door end of the guide rail. See the detail of the disks below as viewed from inside prior to installing on the glass.

4. The **Guide block (#12)** should be centered on the threshold, not the stationary panel glass. In preparation for dry fitting the **Stationary glass panel (#02)**, **Upper Guide rail (#03)**, **Anti-splash threshold (#15)** and **Guide block(#12)**, use the **Guide block (#12)** as a reference to mark the wall and base on the stationary panel side where the stationary panel glass will be installed.

See **Fig. 5** for details

TIP: use the guide block for reference when positioning your stationary glass on the threshold.

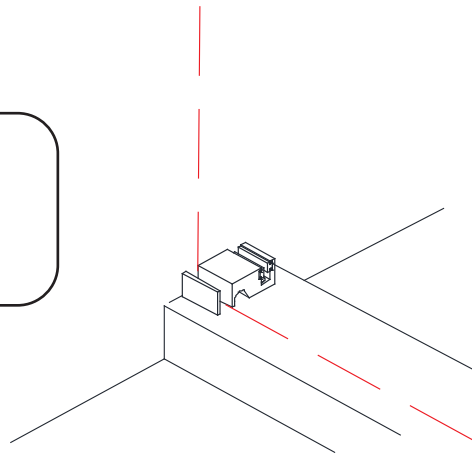
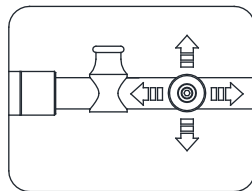


Fig. 5



5. Place the **Stationary glass (#02)** onto the threshold or tub deck aligned with the marks made in step #4 and butt it up against the wall. Note: The **Upper Guide rail (#03)** should be on the inside of the **Stationary glass (#02)**.

Dry fit the **Guide block (#12)** and the **Anti-splash threshold (#15)** into place at this time to mark their positions on the threshold.

Make sure the **Stationary glass (#02)** is plumb and the **Guide rail (#03)** is level. Adjust the **Guide rail (#03)** for level by using the **Glass brackets (#07)**. Rotate the elliptical adjustment disk on the outside of the **Glass bracket (#07)**, and then re-tighten the bolt while holding the adjustment disk in place.

See **Fig. 6** for details

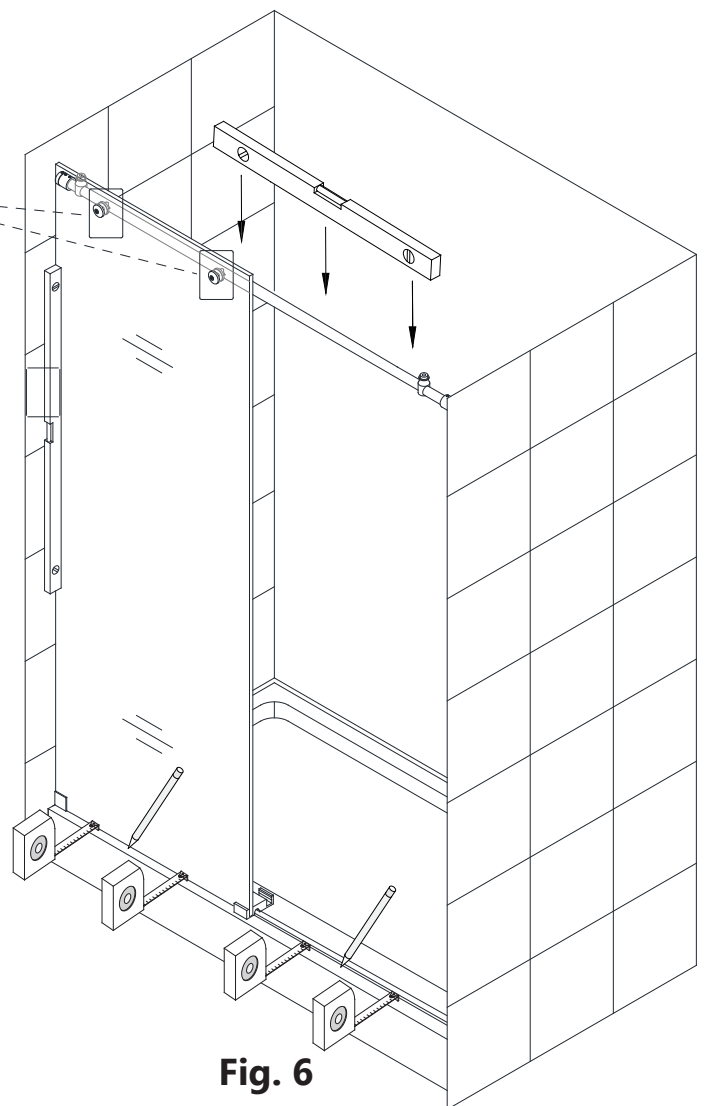


Fig. 6

6. Outline the position of the **Wall bracket (#19)** and **Guide Rail brackets (#08)** on the wall.

See **Fig. 7** for details.

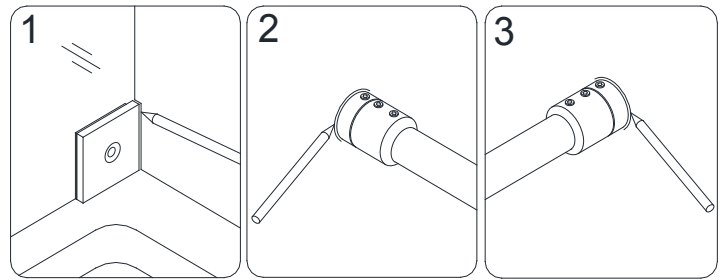


Fig. 7

7. Mark the position of the **Guide block (#12)** on the threshold (Make sure the **Guide block (#12)** is square to the threshold). Measure the distance from the door-side wall to the far edge of the **Guide block (#12)**. This distance will be "**X**". Align the **Anti-splash threshold (#15)** parallel to the front edge of the threshold or tub deck and mark it. The **Anti-splash threshold (#15)** will need to be cut to the size of: **X - 3/8"**.

See **Fig. 8** for details

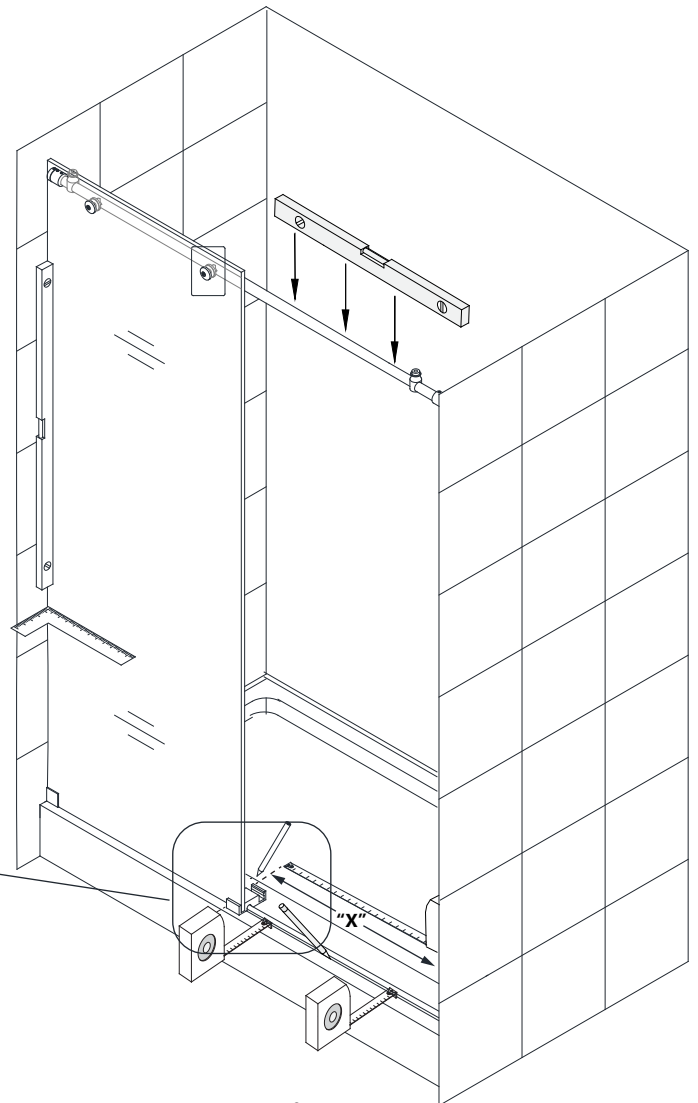
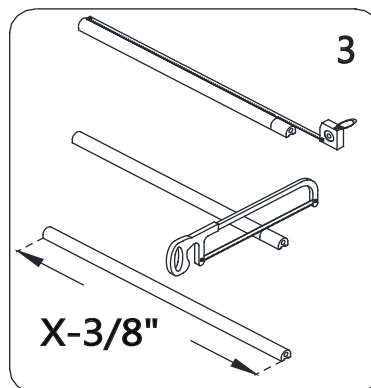
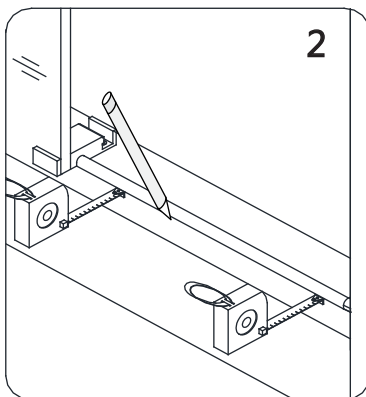
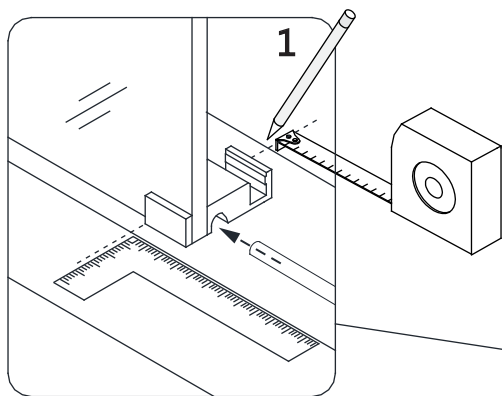


Fig 8

8. Set the **Stationary glass (#02)** and **Upper Guide Rail (#03)** aside, along with the **Guide block (#12)** and **Anti-splash threshold (#15)**.

Remove the **Guide Rail Brackets (#08)** from the **Upper Guide Rail (#03)** (as shown below) and the **Wall bracket (#19)** from the **Stationary glass (#02)**. Place the **Wall bracket (#19)** and **Rail bracket (#08)** on the outlined positions and mark the holes for drilling.

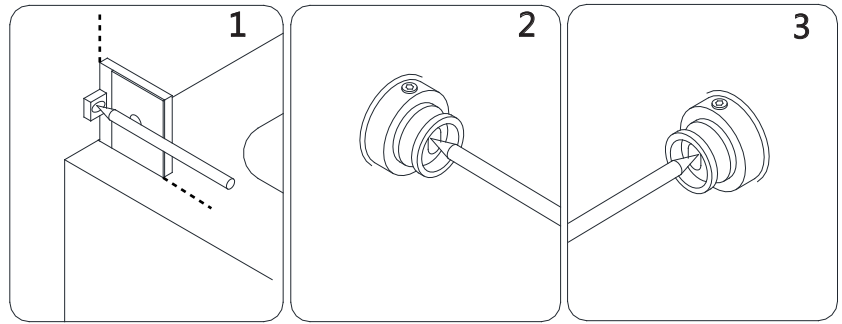
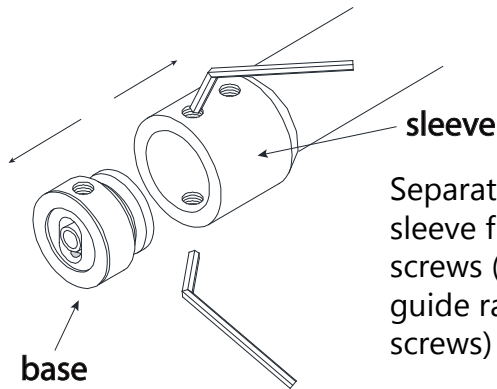


Fig. 9

See **Fig. 9** for details



Separate the **Guide Rail Bracket (#08)** sleeve from the base by loosening the set screws (leave the sleeve on the upper guide rail and temporarily tighten the set screws)

9. Drill the holes for the **Wall bracket (#19)** using a **Ø 5/16** drill bit and insert the **Wall anchors (#9b)**. (**Fig. 10.1**)

****Drill the holes for the Guide rail brackets (#08) using a Ø 3/8" drill bit and insert the Wall anchors (#9a)**.**

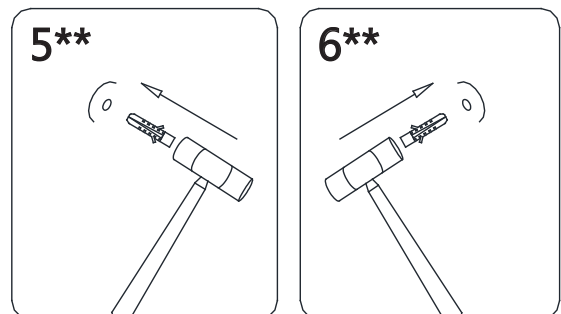
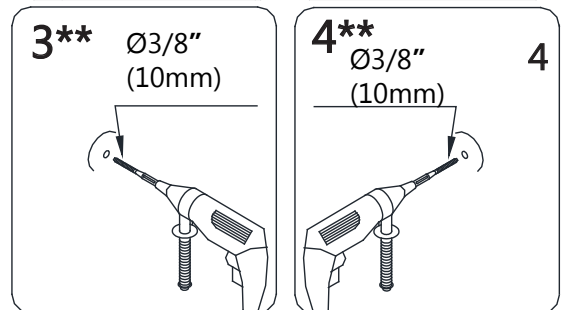
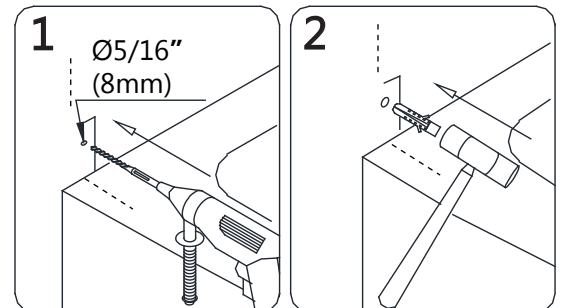
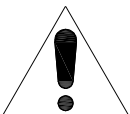


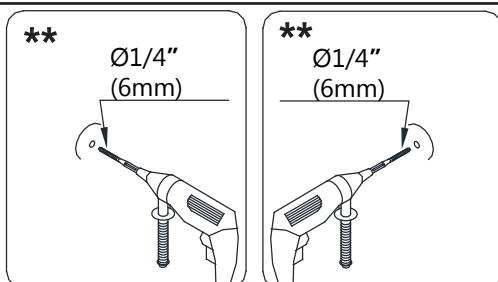
Fig 10

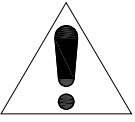
See **Fig. 10** for details



****NOTE:** The manufacturer strongly recommends installing the guide rail brackets into studs or pre-installed 2x6 wood reinforcements behind the wall.

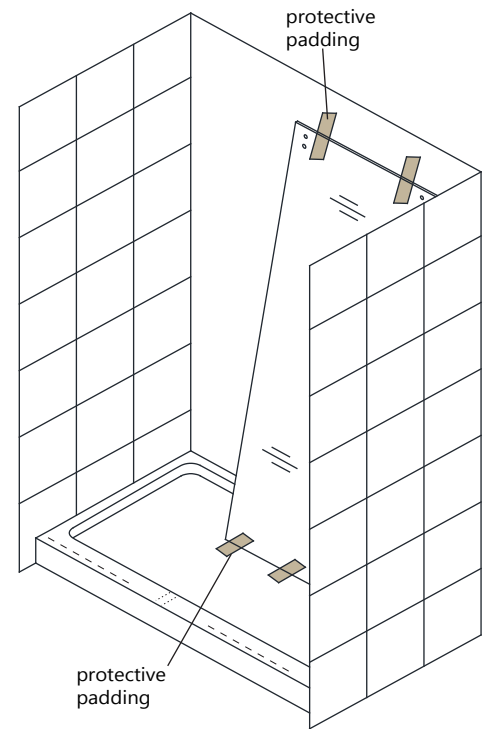
For installation into a stud, drill a **Ø1/4"** hole up to the stud and let the screw bore into the wood.





NOTE: Before you install the **Stationary glass (#02)**, bring the **Door Glass (#05)** into the shower and lean it against the wall. Make sure the door is facing in the direction that it will be installed. After the **Stationary glass (#02)** is installed, it may not be possible to easily get the door glass into the shower. Always use padding to protect the door glass and shower surfaces.

NOTE: Do Not attach the handle to the door glass until instructed to do so.
Do Not attempt to lift the door glass with the handle as this may result in damage to the glass and/or serious personal injury. Use a professional grade glass suction cup and an assistant.



10. Fasten the **Wall bracket (#19)** to the wall using the **Truss head screw ST4.2×55 (#18)**.

Mount the base of the **Guide Rail brackets (#08)** onto both walls using the **Large Truss Head screw ST6×65 (#10)**. Note that the adjustment **set screws must be aligned vertically** for easier access to adjust for level after the glass is installed. (Fig 11.2 & 11.3)

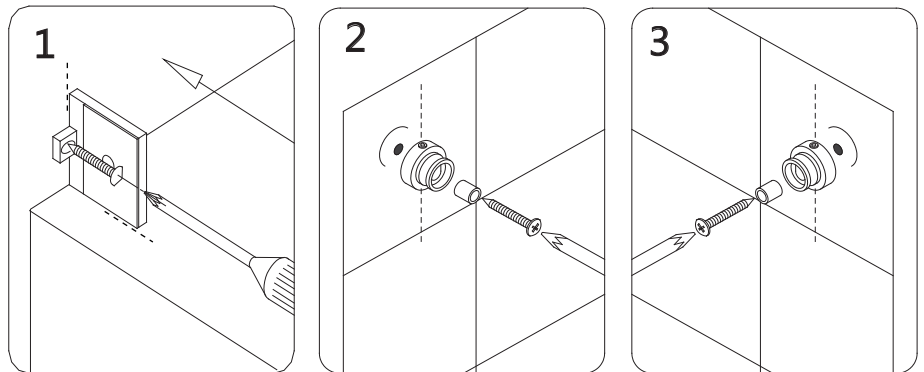


Fig. 11

See **Fig. 11** for details

11. Apply silicone to the bottom of the **Anti-splash guard (#15)** and the **Guide block (#12)**. Insert one end of the **Anti-splash guard (#15)** fully into the **Guide block (#12)** and align both pieces on the threshold or tub deck using the marks made in Step #7. Apply silicone to the **Anti-splash guard cap (#16)**, and place it at the wall end of the **Anti-splash guard (#15)**. Apply several strips of painter's tape to hold the **Anti-splash guard (#15)** and cap in place while the silicone cures.

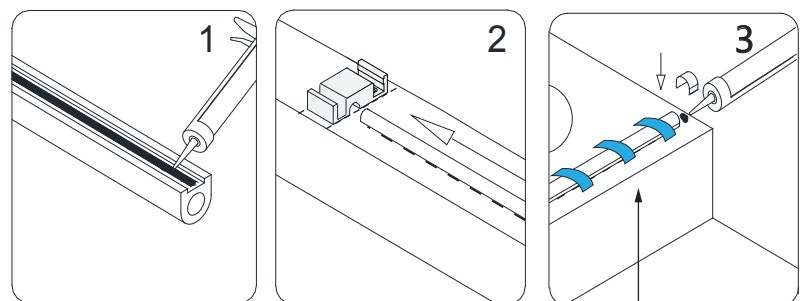


Fig. 12



Painter's Tape

See **Fig. 12** for details

12. Place the **Stationary glass (#02)** with the **Upper Guide Rail (#03)** onto the threshold with the notch fitting into the **Guide block (#12)**. Position the **Stationary glass (#02)** against the wall. (Please note that the **Stationary Glass (#02)** installs on the outside and the **Upper guide rail (#03)** goes on the inside of the shower).

See **Fig. 13** for details

The **Guide Block (#12)** must be installed squarely on the threshold and stationary panel glass

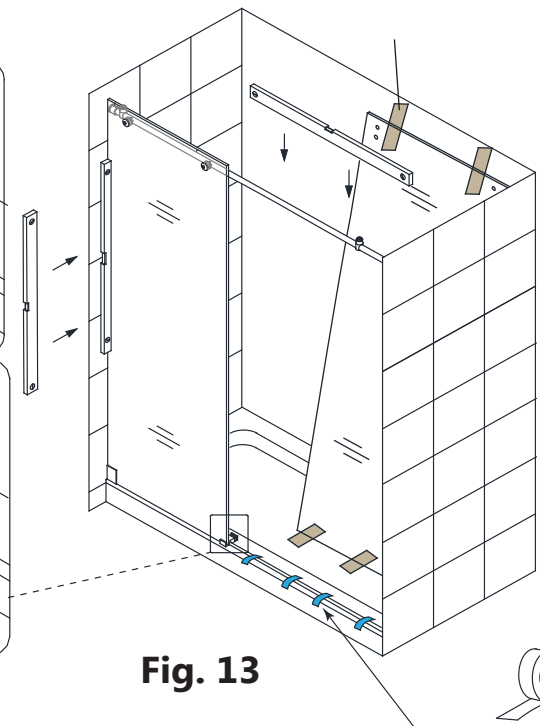
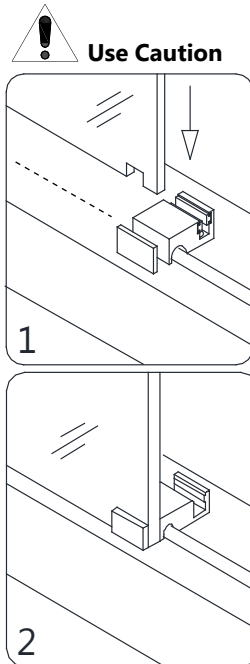
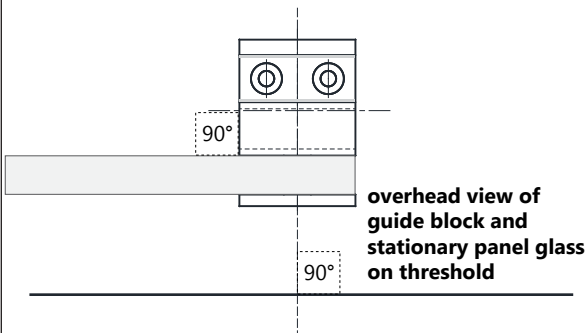


Fig. 13

13. Re-position the **Stationary glass (#02)** and **Upper Guide rail (#03)** onto the threshold and fasten both sleeves of the **Guide rail brackets (#08)** to the brackets on the walls. Tighten the set screws on the **Guide rail brackets (#08)** to secure the **Upper guide rail (#03)**. Position the bracket set screws so that they are accessible from the top and bottom.

(**Fig 14.1 & 14.2**)

Assemble the **Wall bracket (#19)** at the bottom corner of the **Stationary glass (#02)**. Use the clear vinyl gasket between the glass and the metal parts to avoid contact with the glass, then tighten the bolt with the supplied allen wrench.

See **Fig. 14** for details

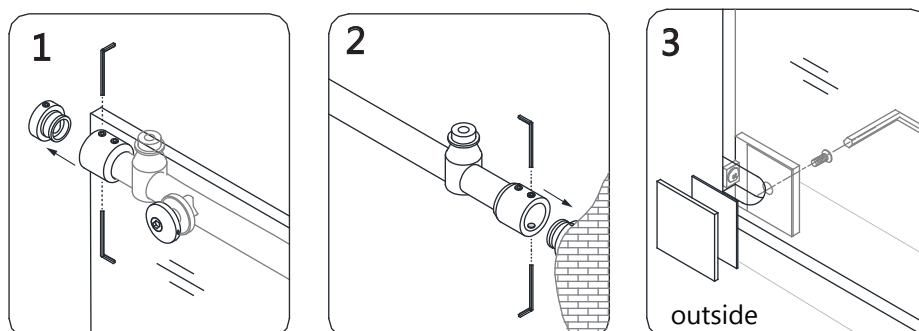


Fig. 14

14. Fasten the **Guide block (#12)** to the threshold or tub deck with the **Countersunk screw ST4.2×25 (#17)**.

See **Fig. 15** for details

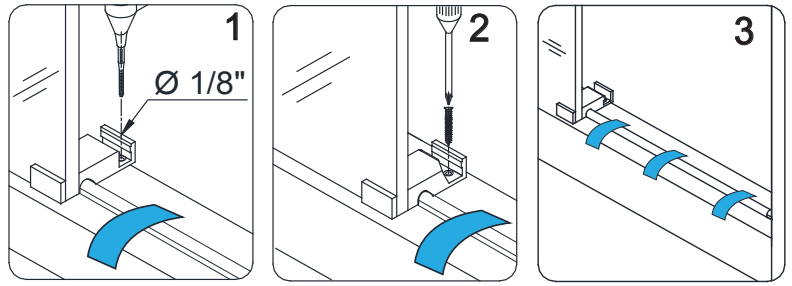
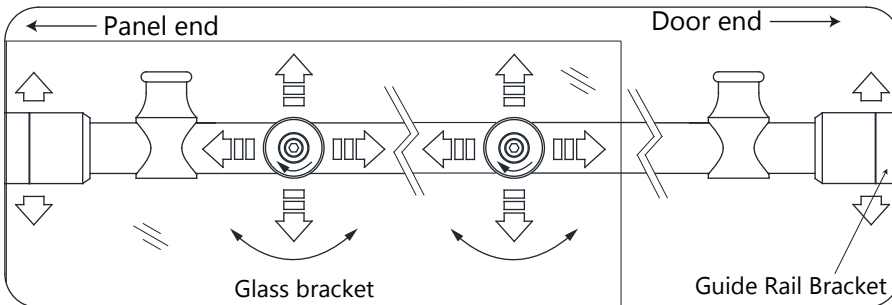


Fig. 15

TIP: Adjust the installed **Upper Guide rail (#03)** to level as necessary using the **Guide rail brackets (#08)** first and then the **Glass brackets (#07)** (see **Fig 4** in **step#3**). Start adjustments from the door end.

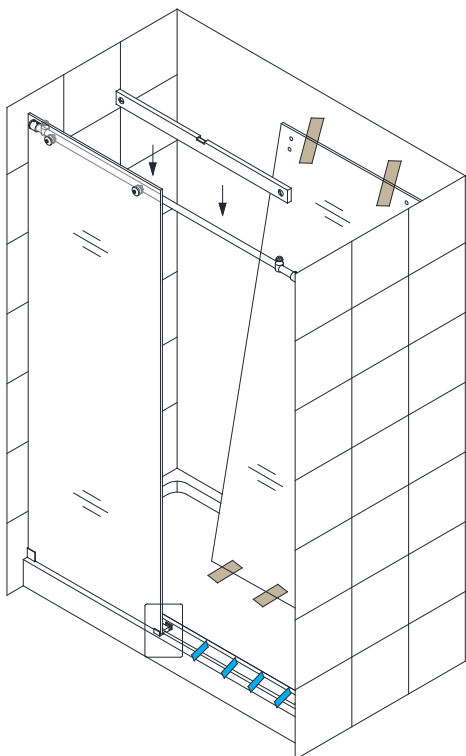
See **Fig. 16** and **Fig 17** for details



(Right hand door installation shown as example)

Fig. 16

NOTE: Use the **Guide Rail Bracket (#08)** set screws to adjust the **Guide Rail (#03)** for level.



Loosen the top set screw and tighten the bottom set screw to lower the rail.

Loosen the bottom set screw and tighten the top set screw to raise the rail.

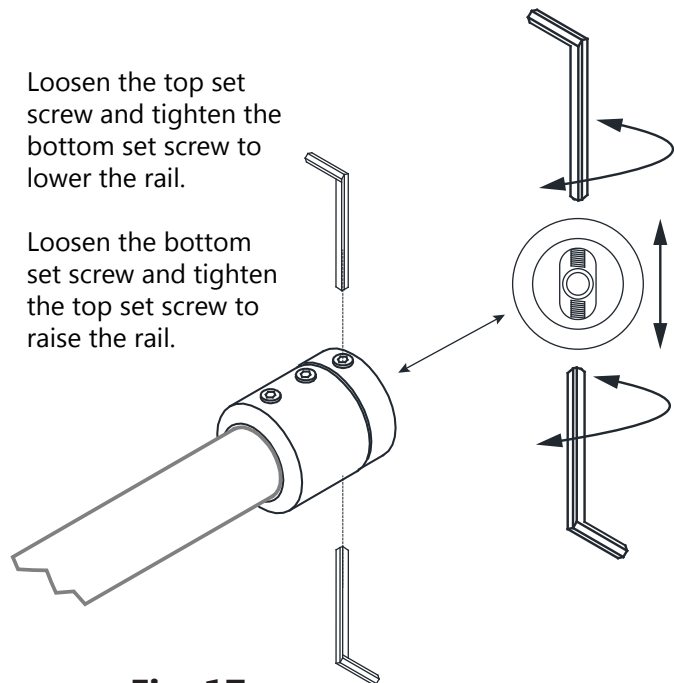


Fig. 17

15. Use the Roller Installation tool to install the two **Roller assemblies (#04)** to the **Glass door (#05)** (Fig 18.1).

Suspend the door by hanging the **Roller assemblies (#04)** onto the **Upper guide rail (#03)** and sliding the bottom edge of the **Glass door (#05)** into the groove of the **Guide block (#12)**. **Be careful not to damage the bottom edge of the door glass.**

Adjust the door glass if necessary using the set screws on the rollers as shown below in Fig 19. After hanging the door, the **Roller Guards** must be adjusted to within 1/16" of the **Guide Rail (#03)** to prevent the door from being removed. Tighten all set screws.

See **Fig. 18** and **Fig 19** for details

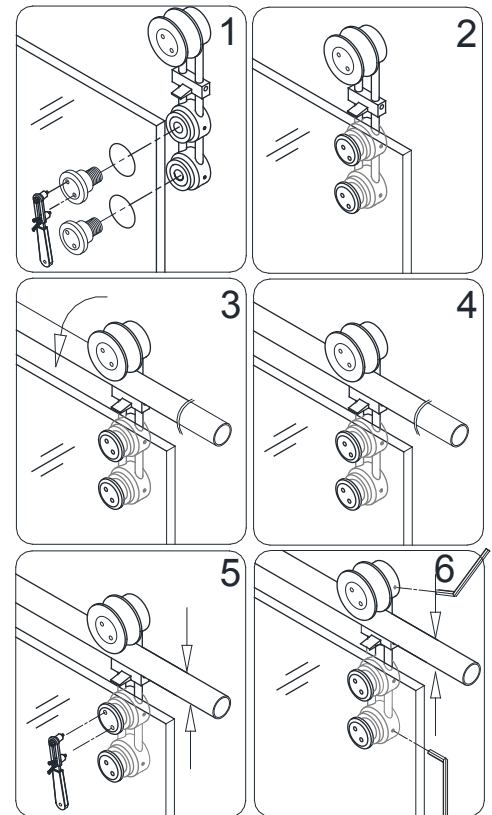
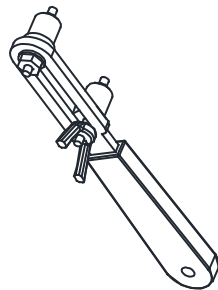


Fig. 18

TIP: Use a 1/4" shim beneath the door glass when you adjust the level of the installed door glass so the bottom of the glass does not make contact with the guide block.



Roller Installation
Tool

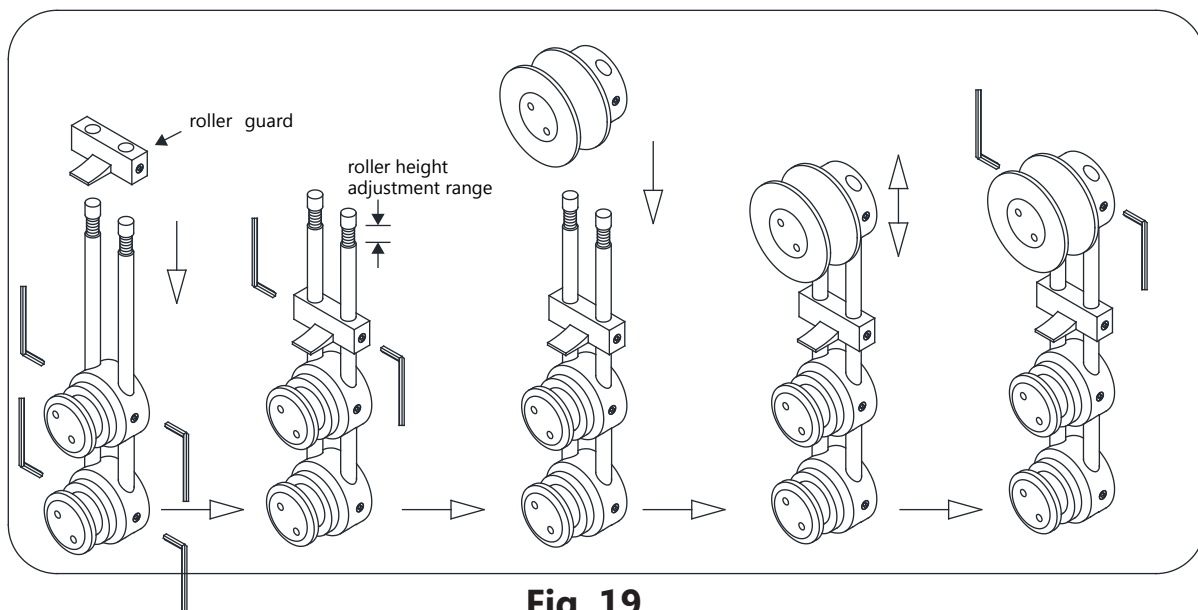


Fig. 19

NOTE: Adjust the height of the door if necessary by loosening the set screws on either side of the wheel. Move the door glass to the proper height and re-tighten the set screws. Be sure to support the door glass during the process.

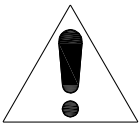
NOTE: During adjustment you must support the door glass so that it does not make contact with the guide block. Leave approximately 1/8" of space between the bottom of the glass and the guide block, (or 1/4" clearance between the bottom of the glass and the threshold.) Use a 1/4" shim on the threshold to prevent adjusting the door glass too low.

16. Press the **Anti-water strip (#14)** on the vertical edges of the **Stationary glass (#02)** and the **Glass door (#05)**. Also press the **Bumper seal strip (#13)** on the vertical edge of the **Glass door (#05)**.

Mount the **Handle (#06)** to the **Door Glass (#05)**.

Adjust both **Door stoppers (#01)** to ensure that they are positioned upright and the **Glass door (#05)** is in its maximum opening and closing range. Apply thread lock to the set screws and tighten the set screws to fasten them in place.

Adjust the **Roller guards (Fig 18)** on both **Roller assemblies (#04)** to within 1/16" of the **Upper guide rail (#03)** to ensure that the **Glass door (#05)** is secure.



See **Fig. 20** for details

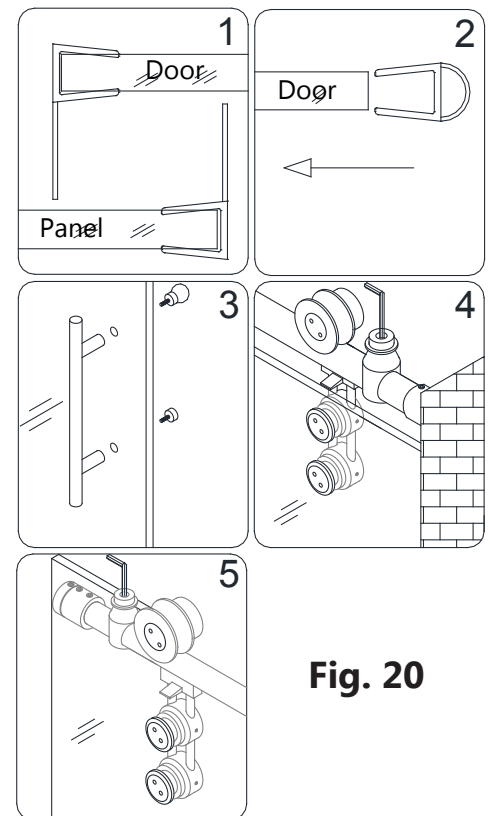
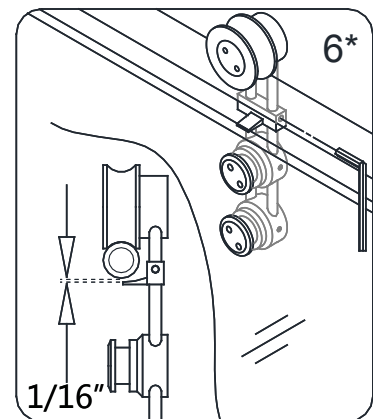


Fig. 20

NOTE: The **Door stoppers (#01)** must be positioned correctly to prevent the handle from contacting the **Stationary glass (#02)** and to stop the **Door glass (#05)** in a position that allows the bumper strip to create a seal with the wall, but does not allow the door glass to bang into the wall. Observe the correct position of these stoppers and re-position if necessary.

17. Door Stopper Installation:

1. Loosen the set screw
2. Slide the **Door Stopper (#01)** onto the **Upper Guide Rail (#03)**
3. Align with stopper hole (stationary panel side only)
4. Apply **Thread lock adhesive (#20)** to the set screw threads
5. Tighten screw into the stopper hole (stationary panel side only)
6. Correctly position and tighten screw into the stopper (door side)



*Roller guards must be tight and the distance beneath the guide rail should be approximately 1/16" max.

See **Fig. 21** for details

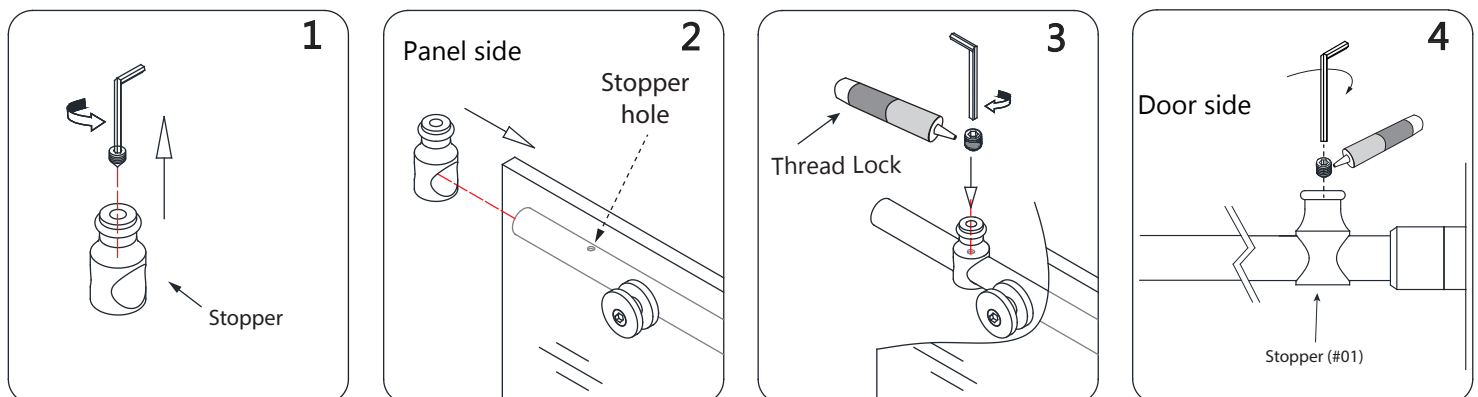
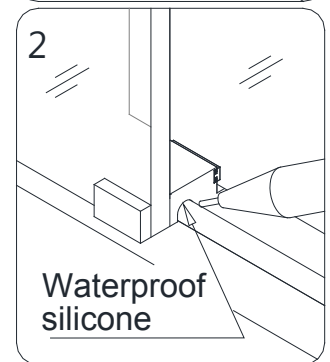
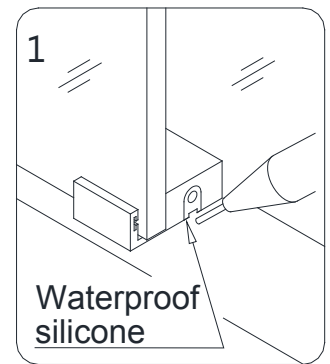


Fig. 21 (Right hand door installation shown as example)

18. Apply waterproof silicone at both ends of the **Anti-splash guard (#15)**, around the **Guide block (#12)** and around the **Anti-splash guard cap (#16)**.

See **Fig. 22** for details



19. Apply a good quality mildew-resistant silicone sealant along the connection of the Stationary glass with the wall and the threshold or tub deck.

Allow 24 hours for the silicone to fully cure.

See **Fig. 23** for details



Fig. 22

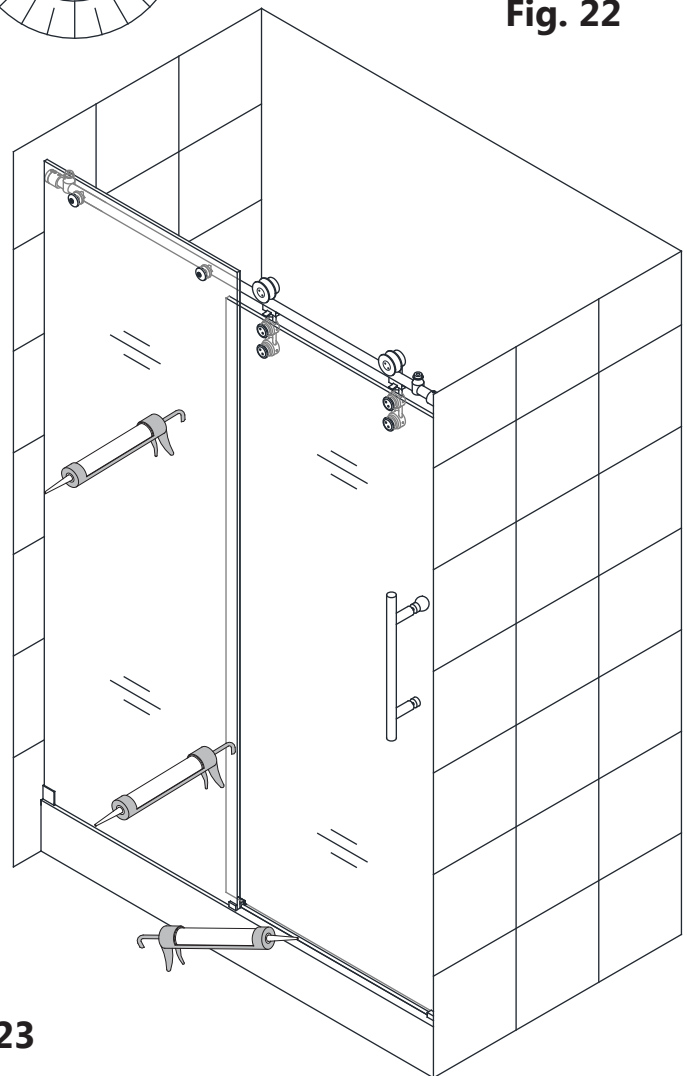
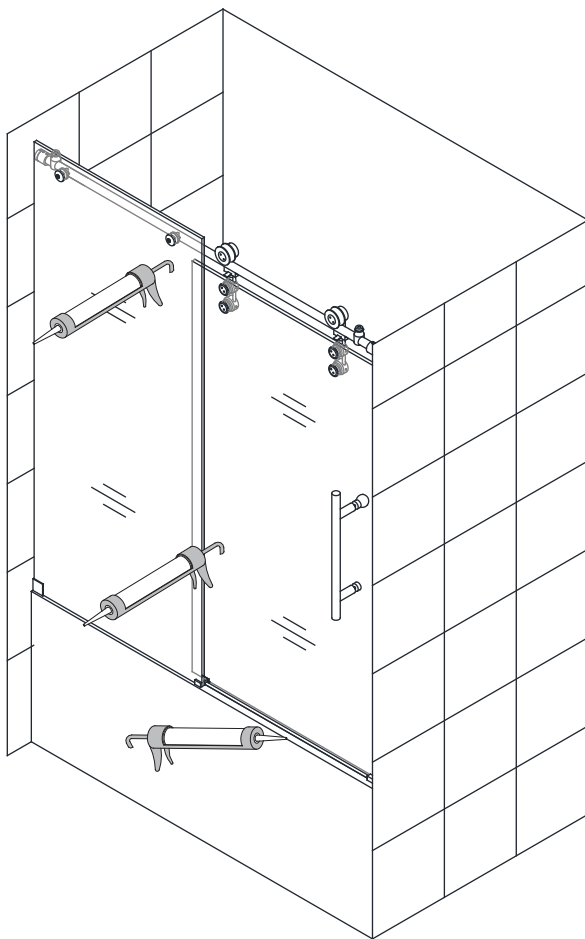


Fig 23

Product Maintenance

BASES and BACKWALLS: To ensure long lasting life for your acrylic back walls: wipe them off after each use with a soft cloth. To clean the acrylic back walls use non-abrasive sprays or cream based cleaners. Avoid the use of aerosol spray cleaners. Never use abrasive cleansers, metal brushes or scrapers that could scratch or dull the surface.

GLASS: To ensure long lasting life for your glass shower products: wipe them off after each use with a soft cloth. Rinse and wipe off the glass using either a soft cloth or a squeegee to prevent soap buildup and water spots (Hard water can etch the surface of the glass over time if left to dry). To prevent scratching the surface: never use abrasive cleaners or cleaning products that contain scouring agents. Never use bristle brushes or abrasive sponges that may scratch the surface.

HARDWARE: To ensure a long lasting finish: wipe off the metal parts after each use with a soft cloth. Do not use abrasive cleaners or cleaning products containing ammonia, bleach or acid. If accidentally used, rinse the surface as soon as possible to prevent damage to the finish (peeling or corrosion). After cleaning the polished finishes, rinse thoroughly and wipe dry with soft cloth. Clean stainless steel surfaces at least once a week. When applying stainless steel cleaner or polish to stainless steel hardware, work with (not across) the grain. Never use an abrasive sponge or cloth, steel wool or wired brush as these may permanently scratch the surfaces.

NOTE: To maximize the life of your door, it is important to regularly inspect the glass and other hardware for misalignment, proper attachment, and/or damage. Contact DreamLine with any questions or concerns.



TEL: 866-731-2244
FAX: 866-857-3638
DREAMLINE.COM

For more information on DreamLine[®] Shower Doors and Enclosure please visit **DreamLine.com**